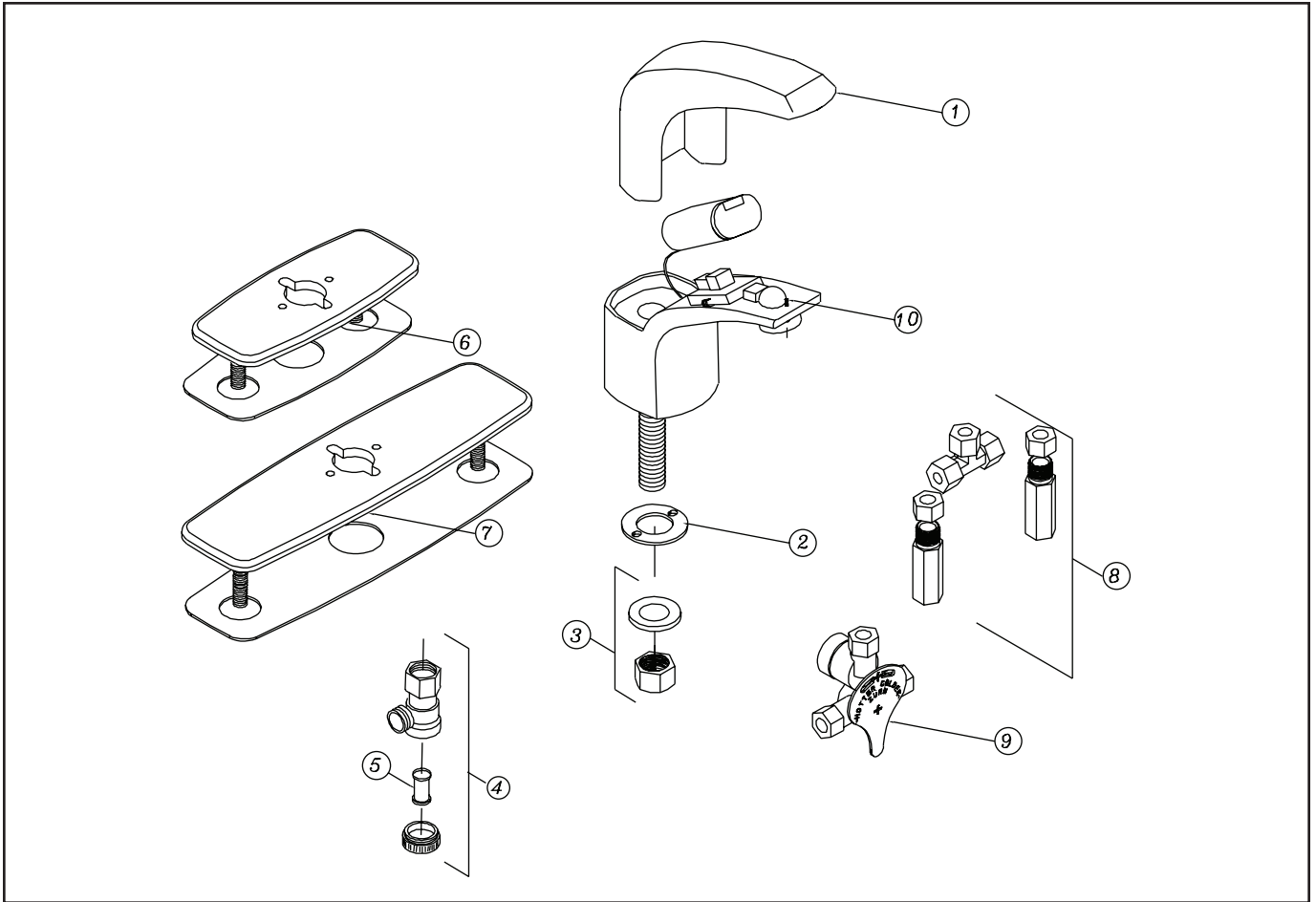


Z6916 Parts Breakdown



AquaSense®
Battery-Powered Faucets



Description	Product No.
1. Cover for Body of Z6916	P6916-CVR
2. Z6916 Base Plate Gasket	P6916-42
3. Mounting Kit	P6900-43
4. Filter Kit	P6900-120
5. Filter Screen	P6900-MV-7
6. 4" Cast Cover Plate with Gasket	P6916-12CP4
7. 8" Cast Cover Plate with Gasket	P6916-12CP8
8. Mixing Tee with Filters and Backchecks	P6900-MT
9. Mixing Valve with Filter	P6900-MV
10. Screw for the Body Cover	P6916-SCREW

ZURN INDUSTRIES, INC.
ZURN INDUSTRIES LIMITED
AIR DELIGHTS, INC.

COMMERCIAL BRASS OPERATION, 5900 ELWIN BUCHANAN DRIVE, SANFORD, NC, U.S.A. 27330, PHONE: 1-800-997-3876 FAX: 919/775-3541 WEBSITE: www.zurn.com
 3544 NASHUA DRIVE, MISSISSAUGA, ONTARIO L4V 1L2, PHONE: 905/405-8272 FAX: 905/405-1292
 11170 SW 5TH, STE. 100, BEAVERTON, OR U.S.A. 97005, PHONE: 1-800-440-5556 FAX: 1-503-643-8224 WEBSITE: www.airdelights.com