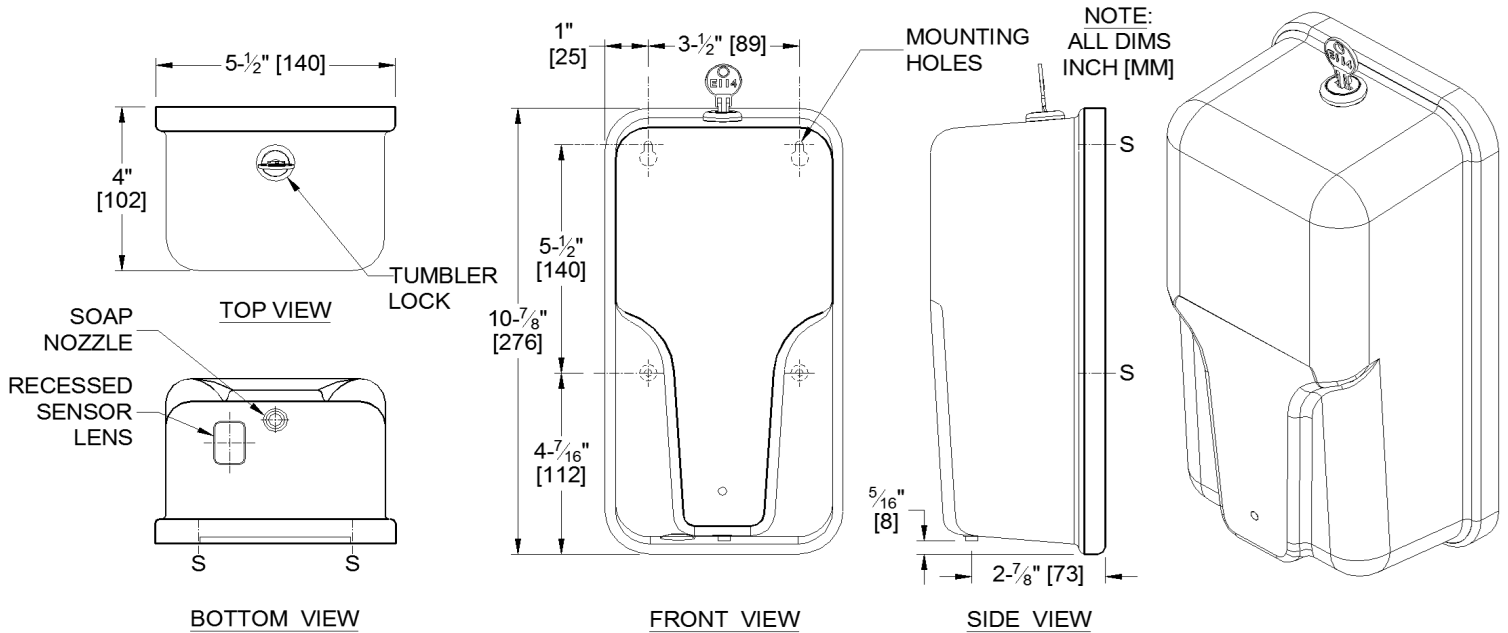




AMERICAN SPECIALTIES, INC.
 441 Saw Mill River Road, Yonkers, NY 10701
 (914) 476.9000 • (914) 476.0688
 www.americanspecialties.com

MODEL №:	20364
ISSUED:	08/09
REVISED:	20 Jan 2016

AUTOMATIC SOAP DISPENSER



SPECIFICATION

Automatic Soap Dispenser shall hold 33.8 oz [1000 ml] of soaps and lotions within the viscosity range of 50 – 3500 cP (MPa•s) and dispense in cycles of a single shot volume of 0.03 ± 0.002 oz [0.8 ± 0.05 ml]. Operation is initiated by hands-free sensor controlled by microprocessor digital circuitry powered by six (6) AA size 1.5 V batteries (supplied by others) in a concealed compartment and locked inside unit bottom. Unit shall be fabricated of 22 gauge type 304 stainless steel alloy 18-8 (.031" [0.8] thick) with a uniform satin finish over all exposed surfaces. Cover shall have lock keyed alike with other ASI washroom accessories. Unit shall have an LED to indicate function and operational condition on front face. Internal tank shall be translucent to show quantity of soap remaining at any time when cover is opened and shall have an internal shut-off valve to facilitate filling and external storage of full tanks. Unit shall mount to wall on concealed base plate with screws secured under locked cover. Mounting template and Owner's Manual shall be provided with unit in each carton.

Automatic Soap Dispenser shall be Model № 20364 of American Specialties, Inc., 441 Saw Mill River Road, Yonkers, NY 10701-4913

INSTALLATION

Secure concealed base plate to wall with four (4) self-tapping screws (supplied: two (2) № 8 x 3/4" [M4.5 x 20] pan head & two (2) № 8 x 3/4" [M4.5 x 20] flat head) through mounting holes provided in plate into plastic wall anchors (supplied) or other suitable mounting system (provided by others). Install six (6) AA size 1.5 V cells (supplied by others) in concealed battery compartment according to polarity indication and snap-latch battery door. Fill tank with appropriate viscosity soap to correct level and lock door. Locking door activates concealed button to initiate operation. Retain key provided for future access.

OPERATION

Unit shall operate each time an object is positioned within the sensing distance of 3-1/8" [80] ± 3/8" [10] from unit bottom. A drop of 0.03 ± 0.002 oz [0.8 ± 0.05 ml] of soap will be pumped out of the nozzle on unit bottom for each activation. Unit will dispense soap on each activation while batteries are at suitable charge level (LED is not flashing) and correct viscosity soap is present in the tank. Door has lock to provide security and vandal resistance after each soap refill and battery change service interval.