



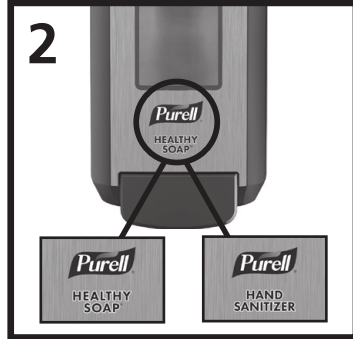
# PURELL® CS4 Soap & Sanitizer Dispenser Installation and Use Instructions

Please read all instructions carefully before installing and using the dispenser.

## Dispenser Installation



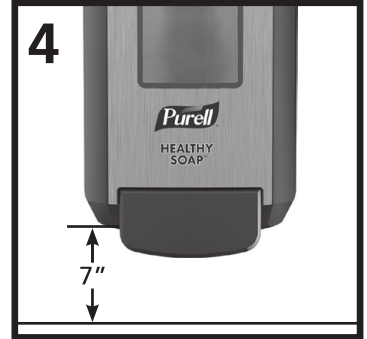
Open dispenser by pressing release buttons on the side and allow the front cover to descend forward.



Check graphic on front of dispenser before installing.  
HEALTHY SOAP® = soap dispenser  
HAND SANITIZER = hand sanitizer dispenser

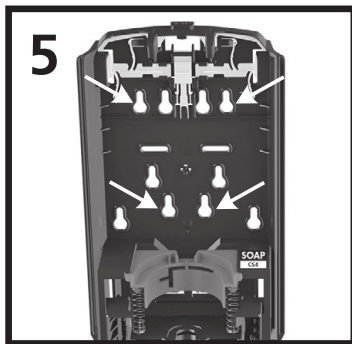


Check label inside dispenser before installing.  
CS4 SOAP = soap dispenser  
CS4 SAN = hand sanitizer dispenser



Install dispenser with at least 7" free space above counter top to allow routine service.

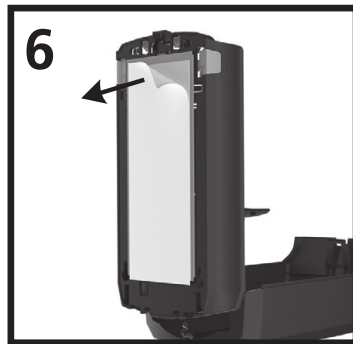
### If installing with wall fasteners



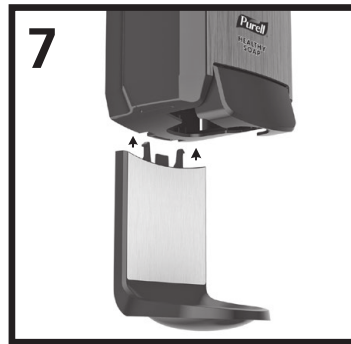
Using the dispenser as a template, pierce the tape on the back plate to mark and drill four holes using 1/4" drill bit. Use the supplied wall anchor and #10 x 1" screws to secure the dispenser in place, being careful not to over tighten. It is recommended to use 4 screws. If only two are possible, the top two holes should be used.

**Recommended holes shown.**

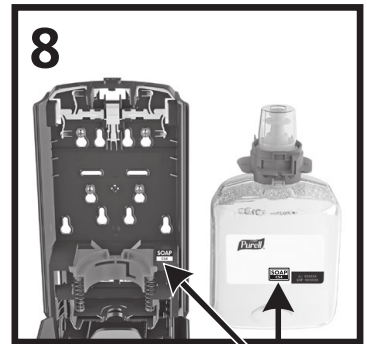
### If installing with tape



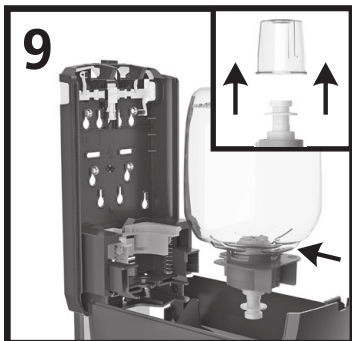
Clean installation surface with an alcohol pad. Allow surface to dry for 60 seconds then peel paper off installation tape and press the dispenser firmly against the wall for 10 seconds. For maximum adhesion, wait 24 hours before loading refill or using dispenser.



Install the SHIELD™ Floor and Wall Protector into the bottom of the dispenser by aligning plastic tabs on the SHIELD with slots on the dispenser and sliding up until the tabs snap into place. (SHIELD is included with Sanitizer Systems and can be ordered for Soap systems). 7745-WHT-18 White SHIELD Floor and Wall Protector 7745-GPH-18 Graphite SHIELD Floor and Wall Protector



Match label on refill with label on dispenser.



Remove refill cap and push the new refill into dispenser.



Close dispenser cover.

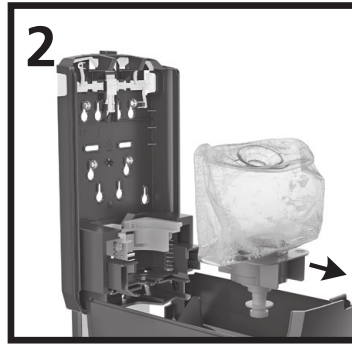


Place hand in middle of bar and push multiple times to prime refill. Product will dispense as bar is depressed.

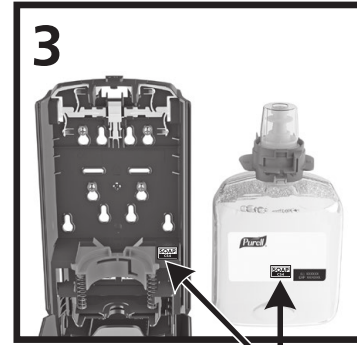
## Refill Replenishment



Open dispenser by pressing release buttons on the side and allow the front cover to descend forward.

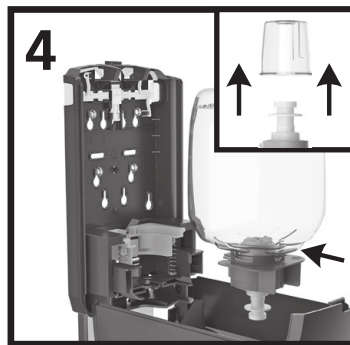


Remove empty refill.



Match label on refill with label on dispenser.

**SOAP**  
**CS4**



Remove refill cap and push the new refill into dispenser.



Close dispenser cover.

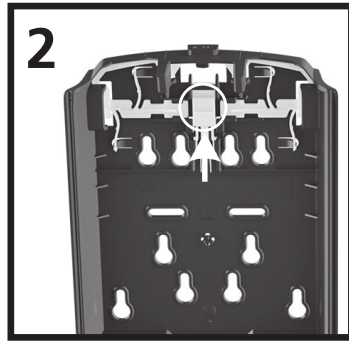


Place hand in middle of bar and push multiple times to prime refill. Product will dispense as bar is depressed.

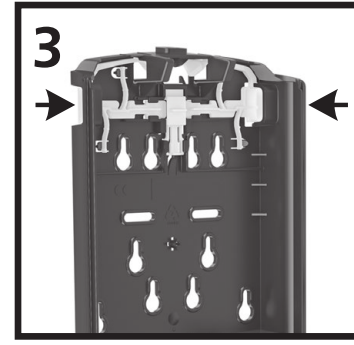
## Locking the dispenser with LOCK OR NOT™ Technology



Open dispenser by pressing release buttons on the side and allow the front cover to descend forward.

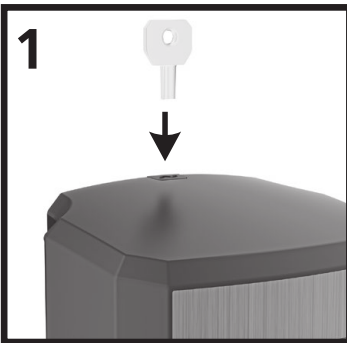


Slide locking mechanism upward until a click is heard.  
**Dispenser is locked.**

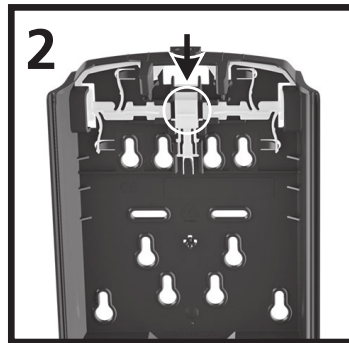


Check for a successful lock by pressing buttons on sides of the dispenser.

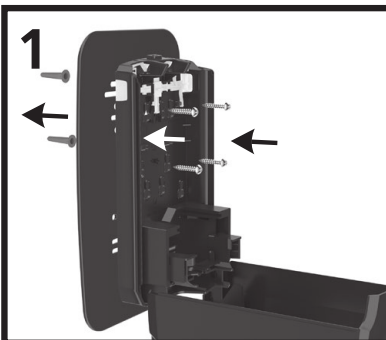
## Disabling the Locking Mechanism



Insert key in top of dispenser to release front cover.



Push locking mechanism downward to unlock dispenser.  
**Dispenser is unlocked.**



Install the TRUE FIT wall plate at the designated anchor holes. Place the TRUE FIT wall plate between the dispenser and the wall during installation.

### TRUE FIT™ Wall Plate Installation

The TRUE FIT Wall Plate is an optional accessories that can be utilized with the dispensing systems.

Use the TRUE FIT Wall Plate to cover any wall damage from removing old dispensers.

7740-GPH-18  
*TRUE FIT Wall Plate - Graphite*



7740-WHT-18  
*TRUE FIT Wall Plate - White*





GOJO Industries, Inc.  
One GOJO Plaza, Suite 500  
P.O. Box 991 • Akron, OH. 44309-0991  
Tel: 1-330-255-6000 • Toll-free: 1-800-321-9647  
Fax: 1-800-FAX-GOJO