

# SLOAN® Faucets

## Sensor Activated Electronic Gooseneck Faucet

# SF-2200 SF-2250

Find at Air Delights! [Shop Now!](#)



Find at Air Delights! [Shop Now!](#)

- ▶ **Description**  
Sensor Activated, Electronic, Gooseneck Hand Washing Faucet for tempered or hot/cold water operation.
- ▶ **Models**
  - SF-2200 Series 6 VDC Plug-in Adapter Powered with Battery Backup
  - SF-2250 Series Battery Powered
- ▶ **Flow Rate**  
 2.2 gpm/8.3 Lpm Laminar Spray Head
- ▶ **Specifications**  
ADA Compliant, Sensor Activated, 6 VDC, Chrome Plated Brass, Gooseneck Hand Washing Faucet with the following features:
  - Splash-proof Circuit Control Module
  - Adjustable Infrared Sensor Range
  - 36" (914 mm) Long Sensor Cable
  - 24" (610 mm) Long Flex Hose
  - Filtered Solenoid Valve with serviceable Strainer Filter
  - Bak-Chek® Tee for Hot/Cold Supply
  - 6 VDC Plug-in Adapter (Model SF-2200 only)
  - Laminar Spray Head
  - Includes Four (4) AA-size Batteries
  - Includes appropriate Mounting Hardware
  - Trim Plate Kit for 4" (102 mm) Centerset Sink
- ▶ **Variations (add suffix to Model Number for inclusion with Faucet)**
  - **Trim Plate (specify one)**
    - 4 4" Trim Plate for 4" Centerset Sink
    - 8 8" Trim Plate for 8" Centerset Sink
  - **Temperature Mixing Valves**
    - BDM MIX-60-A Below Deck Mechanical Mixing Valve
- ▶ **Accessories (specify separately)**
  - **Standard Outlet**
    - SFP-14 2.2 gpm/8.3 Lpm Laminar Spray Head
  - **Adapters**
    - SFP-6 110 VAC/6 VDC Plug-in Adapter
    - SFP-20 220 VAC/6 VDC Type G Rectangular (UK) Plug-in Adapter
    - SFP-25 220 VAC/6 VDC Type C Round Pin (Euro) Plug-in Adapter
    - SFP-26 220 VAC/6 VDC Type A Flat Blade (Asia) Plug-in Adapter
    - SFP-35-A Gang Adapter Kit, includes 1 Plug-in Gang Adapter, 5 Splitter Cables and 1 Extension Cable
    - SFP-36 71" (1800 mm) 120 VAC/6 VDC Plug-in Gang Adapter
    - SFP-38 51" (1300 mm) Splitter Cable
    - SFP-37 51" (1300 mm) Extension Cable

- ▶ **ADA Compliant**
- ▶ **Automatic**  
The Sloan SF-2200 and SF-2250 Electronic Gooseneck Hand Washing Faucets operate by means of an infrared sensor. When the user enters the sensor's effective range, the Solenoid activates the water flow. Tempered water flows from the Faucet until the user steps away. The Faucet then automatically shuts off.
- ▶ **Hygienic**  
The ultimate in sanitary protection — there are no handles to turn or buttons to push. Helps to control the spread of infectious diseases.
- ▶ **Economical**  
Automatic operation provides water usage savings over other faucet devices. Reduces maintenance and operation costs.
- ▶ **Warranty**  
1 year (limited)
- ▶ **Compliant to:**  
ASME A112.18.1

Find at Air Delights! [Shop Now!](#)



This space for Architect/Engineer approval

Job Name _____	Date _____
Model Specified _____	Quantity _____
Variations Specified _____	
Customer/Wholesaler _____	
Contractor _____	
Architect _____	

# SF-2200 SF-2250

## ► Description

Sensor Activated, Electronic, Gooseneck Hand Washing Faucet for tempered or hot/cold water operation.

## ► Models

- SF-2200 Series 6 VDC Plug-in Adapter Powered with Battery Backup
- SF-2250 Series Battery Powered

## ► Flow Rate

- 2.2 gpm/8.3 Lpm Laminar Flow Outlet

## ELECTRICAL SPECIFICATIONS

### ► Control Circuit

6 VDC Input/Output

### ► Adapter

6 VDC Plug-in (Model 2200 only)

### ► Battery Life

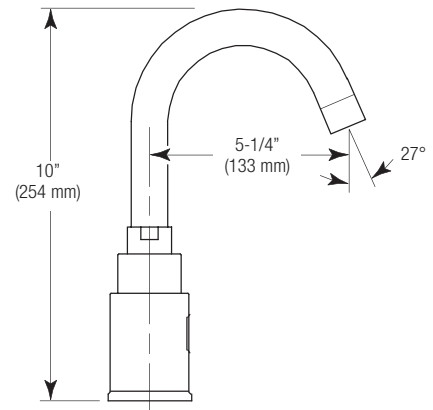
Four (4) Alkaline AA Batteries 2 years at 8,000 cycles/month

### ► Solenoid Valve

6 VDC, Serviceable Strainer, 3/8" Compression Inlet, 1/2" NPSM Outlet

### ► Sensor Range

Nominal:  
4" - 7" (102 mm - 178 mm)



## OPERATION

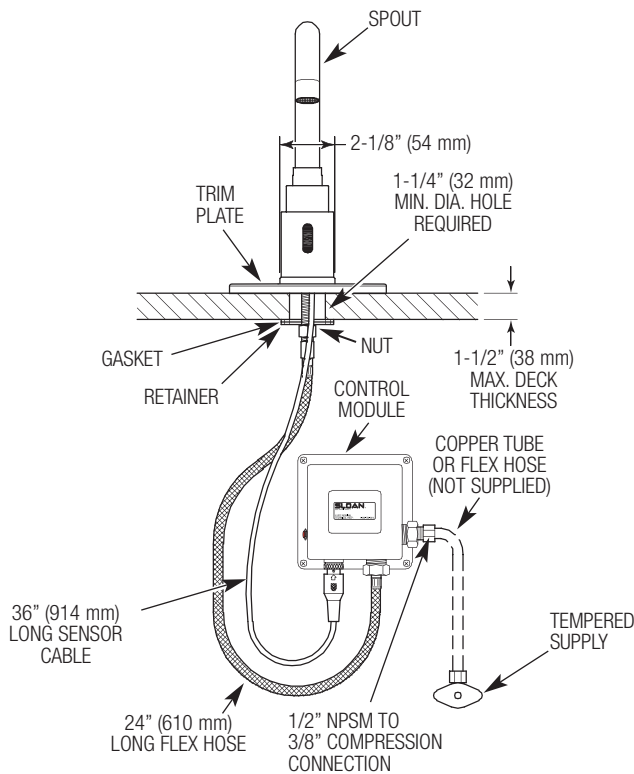
- When a user's hands enter the sensing range, water flows from the spout.



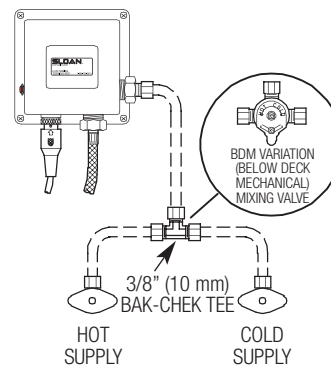
- When hands are removed, the water flow stops.



## ROUGH-IN DIMENSIONS



## HOT AND COLD WATER SUPPLY APPLICATIONS (SPECIFY IN MODEL VARIATION)



**SLOAN VALVE COMPANY • 10500 SEYMOUR AVENUE • FRANKLIN PARK, IL 60131**

Phone: 1-800-982-5839 or 1-847-671-4300 • Fax: 1-800-447-8329 or 1-847-671-4380 • [www.sloanvalve.com](http://www.sloanvalve.com)