

EAF-350 SERIES

► Description

Battery-Powered, Sensor-Activated, Electronic Hand Washing Faucet for pre-tempered or hot and cold water operation.

► Models

- EAF-350 Single Supply Faucet (for pre-mixed water only)
- EAF-350-ISM With Integral Spout Temperature Mixer (For Hot and Cold water supply connection)

► Flow Rates

- 1.5 gpm (5.6 Lpm) Aerator Spray Head
- 0.5 gpm (1.9 Lpm) Aerator Spray Head

► Specifications

Sensor-Activated, Electronic, Chrome Plated Die-Cast Metal, Hand Washing Faucet with the following features:

- Modular One-Piece Construction with all Serviceable Components above deck
- Temperature Adjustable (with mixer)
- Double Infrared Sensor with Automatic Setting Feature and Microprocessor
- Magnetic Solenoid Valve
- Adjustable Hot Water Limit Set
- Water Supply Connection with Flexible High-Pressure Hose and Strainer
- 6V Lithium CR-P2 Commercial Battery included
- IR-Click feature
- Appropriate Mounting Hardware included

► Variations

- ISM Integral Spout Mixer

► Accessories

- Trim Plates
 - ETF-312-A** Trim Plate for 4" (102 mm) Centerset Sink
 - ETF-510-A** Trim Plate for 8" (204 mm) Centerset Sink
- Trim Plates must be specified and ordered separately

► Warranty

3 year (limited)

► Compliant to:

ASME A112.18.1-2011/CSA B125.1-11, NSF372, ICC/ANSI 117.1



The new Optima® EAF-350 faucet — Bringing intelligence to water

Sloan's new EAF-350 series electronic hand washing faucets operate by means of a dual infrared sensor and microprocessor based logic. The modular design incorporates all the operating components of the faucet, including the sensor, solenoid, circuitry and battery above the sink deck within a die-cast metal spout.

ISM models feature an integral temperature control lever which allows the user to adjust the water temperature. This adjustment can also be converted to a fixed setting. EAF faucets ordered without the ISM variation must be connected to a single, pre-tempered water supply.

The IR-click feature allows the user to place the faucet into optional function modes, including "continuous run" and "temporary off" simply by activating the IR LED on the sensor window. The use of the IR-click feature is recommended for installations where users have a regular familiarity with the faucet (i.e. executive and non-public restrooms).

The Optima EAF-350 series faucets include a 6 VDC lithium battery. Battery life is approximately three (3) years.

This space for Architect/Engineer approval	
Job Name	Date
Model Specified	Quantity
Variations Specified	
Customer/Wholesaler	
Contractor	
Architect	



EAF-350 SERIES

Description

Battery-Powered, Sensor-Activated, Electronic Hand Washing Faucet for pre-tempered or hot and cold water operation.

Flow Rates

- 1.5 gpm (5.6 Lpm) Aerator Spray Head
- 0.5 gpm (1.9 Lpm) Aerator Spray Head

Electrical Specifications

Control Circuit

6 VDC - includes Auto Set Range Adjustment and Low Battery Indicator LED

Sensor Range

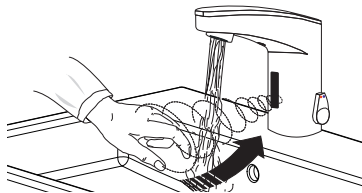
Nominal: 4" - 6" (100-150 mm)
Adjustable by IR-Click:
2-1/2" - 7-1/2" (60-200 mm)

Power Supply

6 VDC Lithium CR-P2 battery
Approximate 3 year life

Operation

As the user's hands enter the beam's effective range, the beam is reflected back into the sensor receiver and activates the solenoid valve allowing water to flow from the faucet. Water will flow until the hands are removed or until the faucet reaches its automatic timeout limit setting.



IR-Click Feature

The IR-Click is a detector located in the sensor window of the faucet spout that allows the user to place the faucet into the following function modes: Continuous Run, Temporary Off and Auto Background Adjustment.

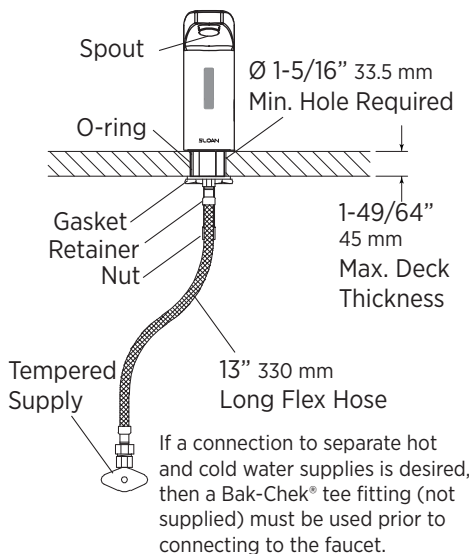
Because the use of the IR-Click feature requires familiarity with the faucet, this feature is not recommended for faucets intended for use by the general public. The IR-Click is ideal for use in hospital rooms, executive restrooms and other locations where the primary user has regular contact with the product.

Function	Press Button	LED Signal
Temporary OFF (2 min)	1. 1 time for 2 seconds 2. 2 times (double push)	1. LED Green (1) 2. LED Red pulsating flashes
reset:	1 time or will reset automatically after 2 mins	
Continuous Run 2 minute default setup (adjustable from 1-20 mins)	1. 1 time for 2 seconds 2. 1 time for 3-5 seconds	1. LED Green (1) 2. Water flows after releasing
reset:	1 time or will reset automatically after 2 mins	
Auto Background Adjustment	1. 1 time for 2 seconds 2. 2 times (double push) 3. 1 time for 5 seconds then hold till requested range is reached 4. Release	1. LED Green (1) 2. LED Red blinks 3. LED Red (1-8) 4. LED Green (1)

Rough-In

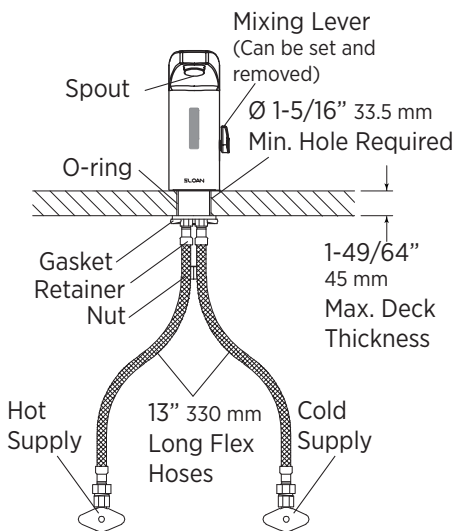
EAF-350

1.5 gpm (5.6 Lpm) Max. Flow or
0.5 gpm (1.9 Lpm) Max. Flow
Faucets with Single Line Water Supply

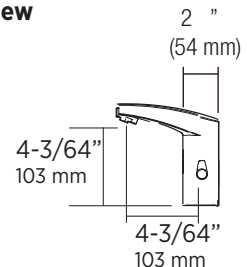


EAF-350-ISM

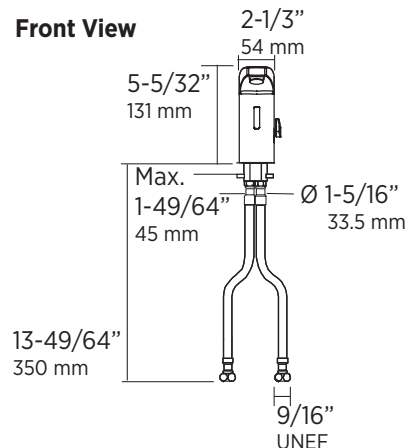
1.5 gpm (5.6 Lpm) Max. Flow or
0.5 gpm (1.9 Lpm) Max. Flow
Faucets with Hot/Cold Water Supply



Side View



Front View



Sloan • 10500 Seymour Avenue • Franklin Park, IL 60131

Ph: 847-671-4300 / 800-9-VALVE-9 • F: 847-671-4380 / 800-447-8329 • www.sloanvalve.com