



### Linea Series Features - Soap and Faucet

- Sleek lines and curved-edged design pairs with Verge faucet model S53-3500
- Matching soap and faucet designs that integrate seamlessly with Bradley lavatories\*\*
- Chrome-plated cast brass construction with optional in-stock PVD finishes\*
- Sensing optimized to eliminate false activations and maximize battery life
- Vandal-resistant construction includes concealed sensor package, durable PVD finish options, and anti-rotational gasket/washer
- Patents Pending

### Soap Key Features

- Foam or liquid soap options
- Top-fill individual and multi-feed tank options
- Utilizes universal bulk soap
- Vandal-resistant construction
- Multi-station system supplies up to 6 soap dispensers
- Smart Sense System – Elegant translucent ring at the base of each dispenser gives a glowing indication of low battery, low soap, and overflow conditions
- Audible warning to stop filling before overflow occurs
- Spout reach designed to optimize handwashing space
- Touch-free infrared sensor-operated
- Power supply options to meet your application – battery pack or single AC plug-in adapter or AC adapter splitter assembly that accommodates up to 4 devices
- Cast brass spout construction with durable, environmentally-friendly finish\*

### Specification

Sleek lines and curved-edged design pairs with faucet model S53-3500 and integrates seamlessly with Bradley lavatories\*\*. The dispenser is available with an individual or multi-feed top-fill tank that is compatible with bulk foam or liquid soap. The multi-feed station system supplies soap to up to 6 soap dispensers. Activation through a touch-free infrared sensor that pairs seamlessly with Bradley’s faucet dual sensor technology to eliminate false activations and maximize battery life. Dispenser shall feature chrome-plated cast brass construction with optional in-stock PVD finish. Vandal-resistant construction includes concealed sensor package, durable PVD finish options, and anti-rotational gasket/washer.

### Overall Spout Dimensions

- Height: 4" (102 mm)
- Width: 2-1/4" (57 mm)
- Depth: 6" (152 mm)







Verify all rough-in dimensions prior to installation. Consult local and national codes. Conformity and compliance to local and national codes is the responsibility of the installer.



### Capacity




- Individual tank: 70.5 oz (2080 ml) w/ 2850 estimated activations per tank
- Multi-feed tank: 166.5 oz (5026 ml) w/ 6930 estimated activations per tank
- Multi-feed can support up to 6 soap dispensers

### Finishes

-  Polished Chrome
-  Brushed Black Stainless \*
-  Brushed Stainless \*
-  Brushed Bronze \*
-  Brushed Brass \*
-  Brushed Nickel \*

\* PVD Finish, see PVD Finish section on Page 2.

### Product Compliance

-  ADA / ICC ANSI A117.1, Citation 309.4
-  UL electrical components
-  CE electrical components

### Compatible Bradley Products

- [Verge Faucet – Linea Series\\*\\*](#)
- [Verge Lavatory Systems\\*\\*](#)
- [ELX Lavatory Systems\\*\\*](#)
- [LD-3010 Lavatory Systems\\*\\*](#)
- [Multi-Feed Soap Tank Assembly](#)



## Operation

Place hands under soap spout and hold for approximately 1.75 seconds. Spout will dispense liquid or foam soap depending on option selected.

- Allows 3 activations per 7.5 seconds.  
Liquid: 0.65 ml to 0.80 ml per activation  
Foam: 0.75 ml (liquid state) to 1.35 ml (foam state) per activation

## Sensor Technology

Infrared sensor with 4" activation range that pairs seamlessly with Bradley's faucet dual sensor technology to eliminate false activations and maximize battery life.

## Indicator Lights

- Power ON (spout location): Flashes red for 1.2 seconds
- Power ON (multi-feed): Flashes green/red 3 times
- Soap dispense activation: Single flash green light
- Low power indication: Continuously flashing green light
- Low soap level: Flashes red when soap level is below 25% capacity
- Overflow condition: Steady red light with audible indication from buzzer lasts 2.5 seconds when fill level reaches 90% capacity

## Power Source

Choose a power supply that meets your application:

- Individual battery pack with 4x D-cell batteries included; each set of batteries can accommodate up to 140,000 cycles
- Individual AC power adapter option for 120V/230V for use on a single device

Ordered separately:

- AC adapter splitter assembly accommodates up to 4 devices. Use when desired to serve in combination of multiple devices (faucet, soap dispenser, and multi-feed soap tank assembly) and/or stations. (Electrical Plug Type B\*\*\*)

## Mounting

Verify all rough-in dimensions prior to installation. Mount dispenser in 1-3/8" (35 mm) diameter hole in lavatory or countertop 1-1/2" (38 mm) from edge of sink. Shank will accommodate a maximum counter thickness of 1-1/2" (38 mm).

Verify all rough-in dimensions prior to installation.  
Consult local and national codes. Conformity and compliance to local and national codes is the responsibility of the installer.

## Product Materials

- Spout assembly: Chrome-plated cast brass w/ optional in-stock PVD finish
- Control box: ABS plastic
- Battery box: ABS plastic
- Soap tank: Polypropylene

## Soap Specifications

- Non-proprietary bulk soap (select foam or liquid)
- Liquid: Viscosity range of 100-5,000 cPs
- Foam: All-purpose foam hand soaps and antibacterial foam soaps containing PCMX and/or Triclosan

## \* PVD Finish

Physical Vapor Deposition is an intricate, environmentally friendly finishing process that molecularly bonds the finish to the soap dispenser, creating a very hard, durable surface that will not corrode, discolor, or tarnish.

## Vandal Resistance

- Concealed sensor package deters vandalism
- Durable PVD finish is scratch resistant
- Anti-rotational gasket/washer
- Tamper resistant screw



Verge® Deck-Mounted Soap Dispenser – Linea Series

<b>Model</b>	<b>6-3500</b> Verge Deck-Mounted Soap Dispenser – Linea Series
<b>Required Selections</b> (must select one from each category)	
<b>Activation Type</b> (select one)	<b>R</b> Infrared Sensor Operation
<b>Soap Type</b> (select one)	<b>F</b> Foam <b>L</b> Liquid
<b>Fill System</b> (select one)	<b>T</b> Single (Top fill at spout) <b>M</b> <a href="#">Multi-Feed (Shared Tank, Top-Fill Port)</a>
<b>Finish Type</b> (select one)	<b>PC</b> <input type="checkbox"/> Polished Chrome <b>BB</b> <input type="checkbox"/> Brushed Black Stainless <b>BS</b> <input type="checkbox"/> Brushed Stainless <b>BZ</b> <input type="checkbox"/> Brushed Bronze <b>BR</b> <input type="checkbox"/> Brushed Brass <b>BN</b> <input type="checkbox"/> Brushed Nickel
<b>Power Supply</b> (select one)	<b>A14-029</b> AC Adapter - Electrical Plug Type B <b>A14-030</b> Battery Pack (includes 4x D-cell batteries) <b>NONE</b> No Power Supply Provided – must purchase A14-031 separately***

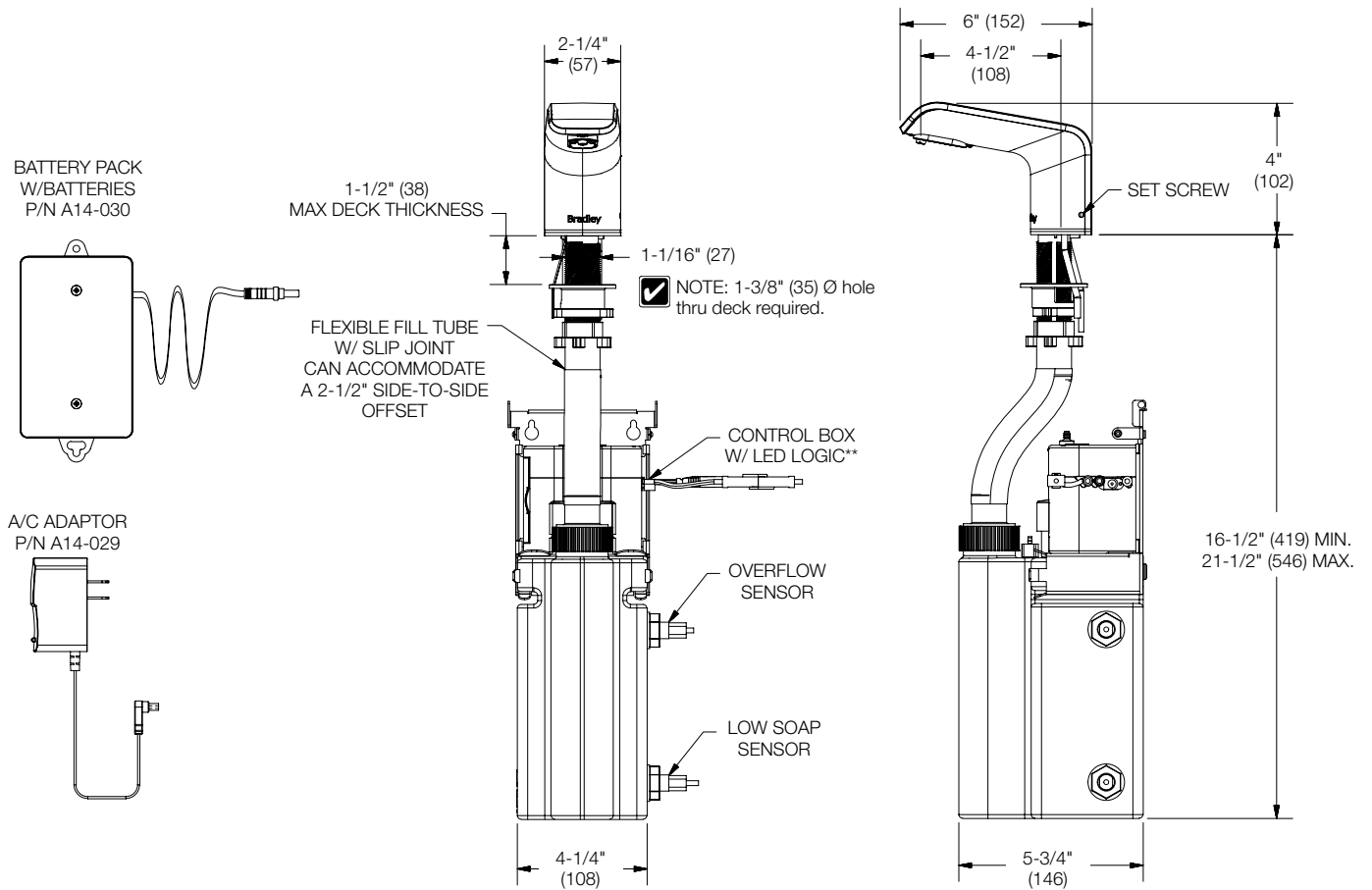
Additional Parts for Purchase (Purchased Separately)	
Feature	Part Number
*** AC Adapter Splitter Assembly accommodates up to 4 devices when desiring a combination of multiple devices (faucet, soap, & multi-feed soap tank assembly) and/or stations. (Electrical Plug Type B)	A14-031
Multi-Feed Soap Tank Assembly	6-SOAP-MFT

Verify all rough-in dimensions prior to installation.  
Consult local and national codes. Conformity and compliance to local and national codes is the responsibility of the installer.



**Dimensions – Single Top-Fill**

**(mm)**



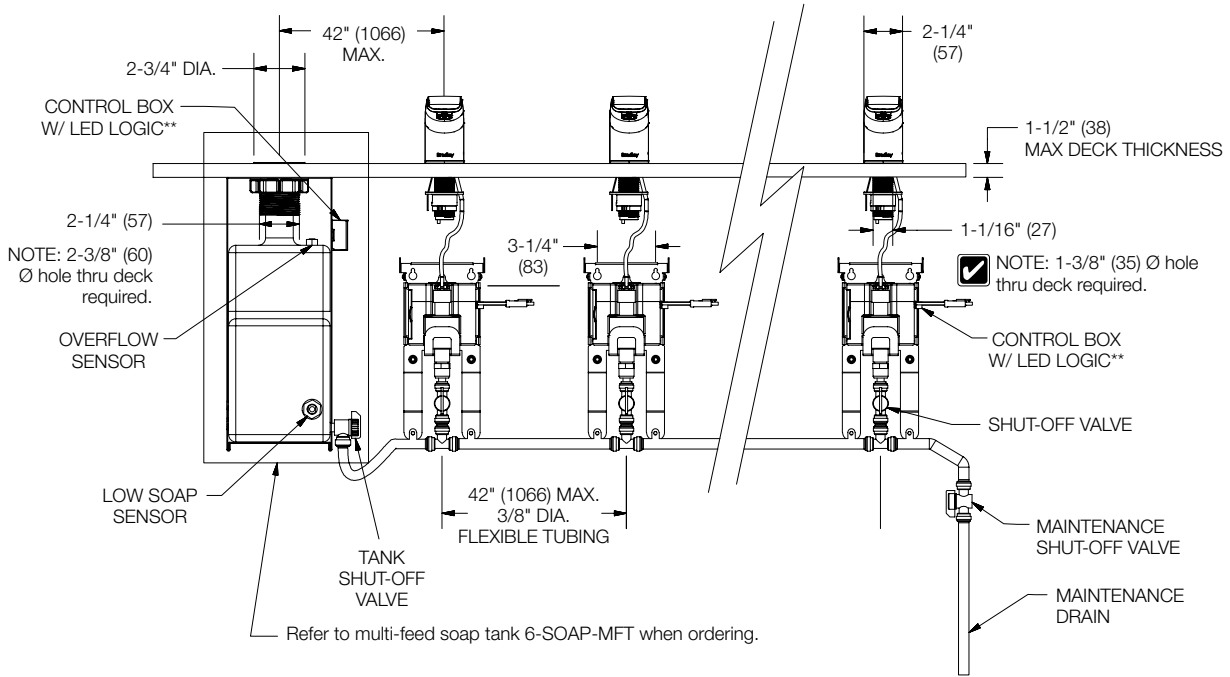
\*\* NOTE: Battery pack or AC adaptor required. AC power source required to be within 54" (1371) of the control box.

Verify all rough-in dimensions prior to installation. Consult local and national codes. Conformity and compliance to local and national codes is the responsibility of the installer.



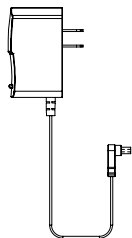
Dimensions – Multi-Feed System - End Tank

(mm)

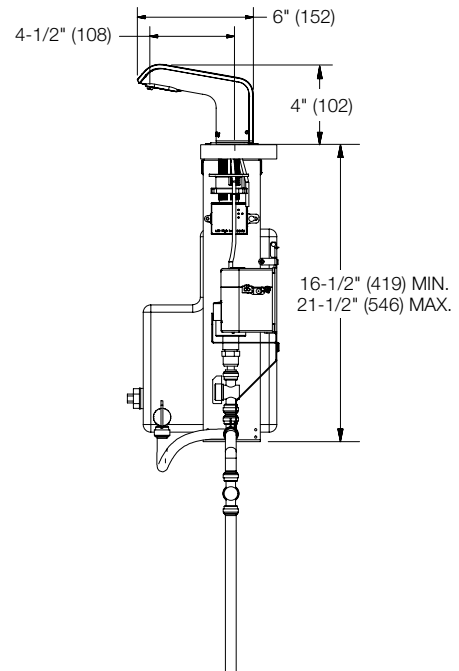
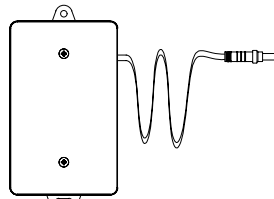


\*\* NOTE: Battery pack or AC adaptor required.  
 AC power source required to be within 54" (1371) of the control box.

A/C ADAPTOR P/N A14-029



BATTERY PACK W/BATTERIES P/N A14-030

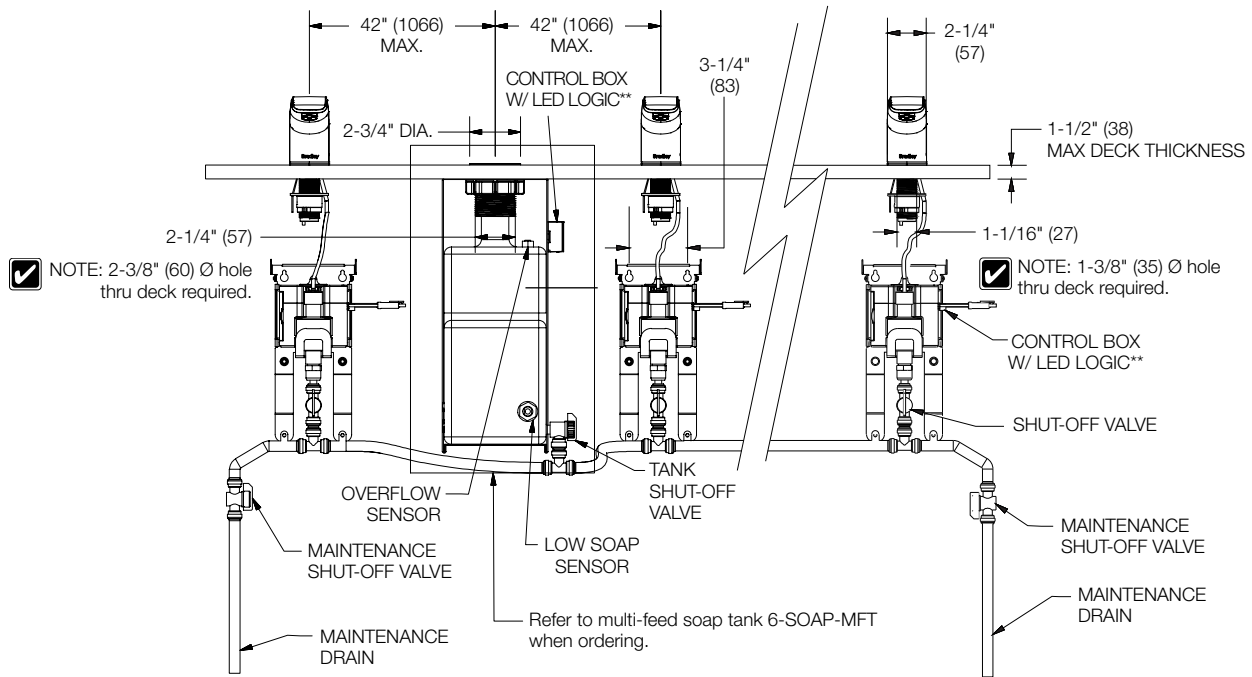


Verify all rough-in dimensions prior to installation.  
 Consult local and national codes. Conformity and compliance to local and national codes is the responsibility of the installer.



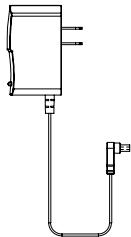
Dimensions – Multi-Feed System - Mid Tank

(mm)

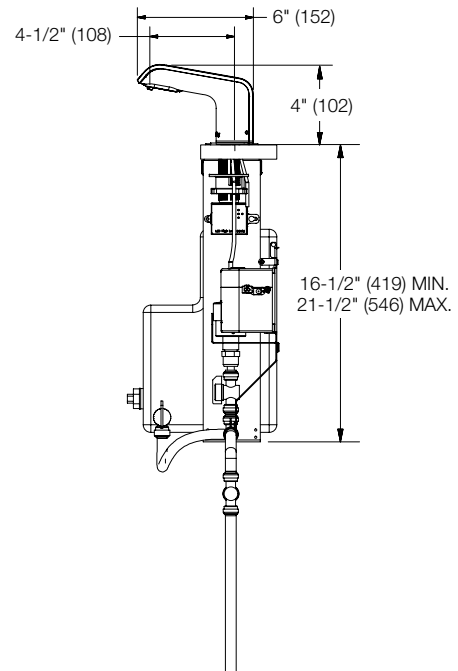
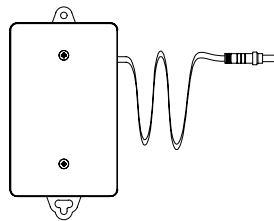


☑ \*\* NOTE: Battery pack or AC adaptor required.  
 AC power source required to be within 54" (1371) of the control box.

A/C ADAPTOR  
P/N A14-029



BATTERY PACK  
W/BATTERIES  
P/N A14-030



Verify all rough-in dimensions prior to installation.  
 Consult local and national codes. Conformity and compliance to local and national codes is the responsibility of the installer.