



Zen Series Features - Faucet and Soap

- Sleek design pairs with Verge™ soap model 6-3700
- Matching faucet and soap designs that integrate seamlessly with Bradley lavatories**
- Chrome-plated cast brass construction with optional in-stock PVD finishes*
- Sensing optimized to eliminate false activations and maximize battery life
- Vandal-resistant construction includes concealed sensor package, durable PVD finish options, and anti-rotational locking nut
- Patents Pending

Faucet Key Features

- Touch-free dual-sensor activation
- Multiple low flow laminar options
- Spout reach designed to optimize handwashing space
- Battery standard or optional AC plug-in adapter with battery backup
- Centershank, anti-rotational locking nut
- Low battery LED indicator with sensor package
- Consistent parts platform across all Verge faucet designs
- Cast brass spout construction with durable, environmentally-friendly finishes*

Specification

Sleek design pairs with soap model 6-3700 and integrates seamlessly with Bradley lavatories**. Touch-free, dual-sensor activation with time of flight and diffuse reflective sensors that work in tandem to detect and confirm the user's presence, eliminating false activations. Battery pack standard or optional AC adapter with battery back-up. Faucet shall feature chrome-plated cast brass construction with optional in-stock PVD finish. Low-flow laminar device options available to conserve water. Vandal-resistant construction includes concealed sensor package, vandal-resistant laminar flow device, durable PVD finish options, and anti-rotational locking nut.

Overall Dimensions

- Height: 5-3/16" (131 mm)
- Reach: 4-13/16" (122 mm) to flow device
- Reach: 5-13/16" (147 mm) to sensor centerline

Verify all rough-in dimensions prior to installation.
 Consult local and national codes. Conformity and compliance to local and national codes is the responsibility of the installer.



Finishes

-  Polished Chrome
-  Brushed Black Stainless*
-  Brushed Stainless*
-  Brushed Bronze*
-  Brushed Brass*
-  Brushed Nickel*

*PVD Finishes, see PVD Finishes section on Page 2.

Product Compliance

- ADA / ICC ANSI A117.1, Citations 309.4, 606.4
- IAPMO cUPC
- ASME A112.18.1/CSA B125.1
- Meets NSF 372



Compatible Bradley Products

- [Verge Deck-Mounted Soap Dispenser – Zen Series](#)
- [Verge Lavatory Systems**](#)
- [ELX Lavatory Systems**](#)
- [LD-3010 OmniDecks**](#)



Operation

- Touch-free dual sensor activation
- Standard 11 second max run time per activation
- Standard 11 second auto system rinse if not activated within 24 hours
- Option for manual flush
- Low flow options 0.35 gpm (1.3 L-Min) or 0.50 gpm (1.9 L-Min)
- Laminar flow device

Sensor Technology

- Dual sensor detects user's hand within a 4" detection range
- First sensor is always operating but does so under low power settings, while the second sensor is more accurate in its detection, minimizing false activations
- After the first sensor detects the presence of something, the second sensor is activated to ensure accurate activation of the fixture
- Sensors work in tandem to adapt to light, color, and optimize battery life
- Sensor has a narrow cone to prevent simultaneous activations with the soap dispenser

Indicator Lights

- Power ON: Flashes red for 1.5 seconds
- Water dispense activation: Single flash green light
- Low power indication: Continuously flashing green light

Power Source

Standard Equipment

- Battery box
- 4x AA alkaline batteries included
- Battery life – alkaline up to 250,000 cycles per set
- Easily convert from battery only to AC adapter
- Low battery indicator with sensor package

Optional Equipment

- Single AC adapter or AC adapter splitter kit (ordered separately)
- Splitter kit powers up to 4 faucets or combination of 4 faucets and soap dispensers
- 120V AC/6V DC plug-in adapter requires 120V/220V, 50/60Hz power source
- Battery box converts to battery back-up when using AC adapter

Verify all rough-in dimensions prior to installation.
Consult local and national codes. Conformity and compliance to local and national codes is the responsibility of the installer.

Mounting

- Requires 1-1/4" to 1-3/8" centershank drilling
- Faucet comes with anti-rotational connection

Materials

Faucet comes in chrome-plated cast brass construction with optional in-stock PVD finishes*

* PVD Finishes

Physical Vapor Deposition is an intricate, environmentally friendly finishing process that molecularly bonds the finish to the faucet, creating a very hard, durable surface that will not corrode, discolor, or tarnish

Vandal Resistance

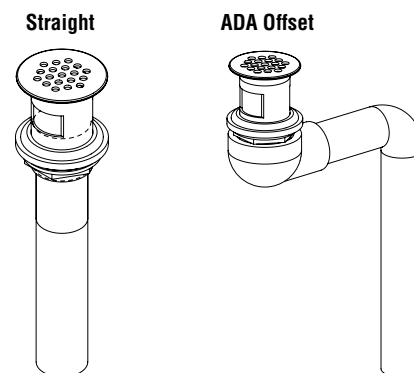
- Concealed sensor package deters vandalism
- Shank features anti-rotational locking nut
- Vandal-resistant laminar flow device
- Durable PVD finish is scratch resistant

Water Supply

- Operating water pressure range 20-125 psi
- Control module integrates choice of thermostatic mixing valve or tempered line valve to deliver tempered water
- Water source located outside of control module to prevent water damage to electrical components
- In-line filter included with mixing valve and tempered line valve to trap debris







Drain Assembly

- Complete your faucet selection with an optional drain assembly
- Includes grid strainer
- Available in a straight or ADA offset configuration





S53-3700
Verge™ Faucet – Zen Series

Model (select one) S53-3700 Verge Faucet – Zen Series
Standard Selections (must select one from each category) Activation Type R Touch-Free Dual Sensor Activation
Water Supply Type (select one) T Navigator Thermostatic Mixing Valve L Tempered Line Adapter
Flow Type (select one) 3 0.35 gpm Silicone Tip, (multiple individual laminar flow streams) 5 0.5 gpm Silicone Tip, (multiple individual laminar flow streams)
Finish Type (select one) PC  Polished Chrome BB  Brushed Black Stainless BS  Brushed Stainless BZ  Brushed Bronze BR  Brushed Brass BN  Brushed Nickel
Optional Selections (select one) Drain Assembly (includes strainer and tailpiece) <i>W/ Straight Tailpiece</i> 269-1839 Grid Strainer with Polished Chrome Finish <i>W/ ADA Offset Tailpiece</i> 269-1751 Grid Strainer with Polished Chrome Finish NONE No Drain Assembly
Transformer Type (select one) A14-029 AC Adapter – Electrical Plug Type B (one per faucet) NONE No AC Adapter (battery box only)

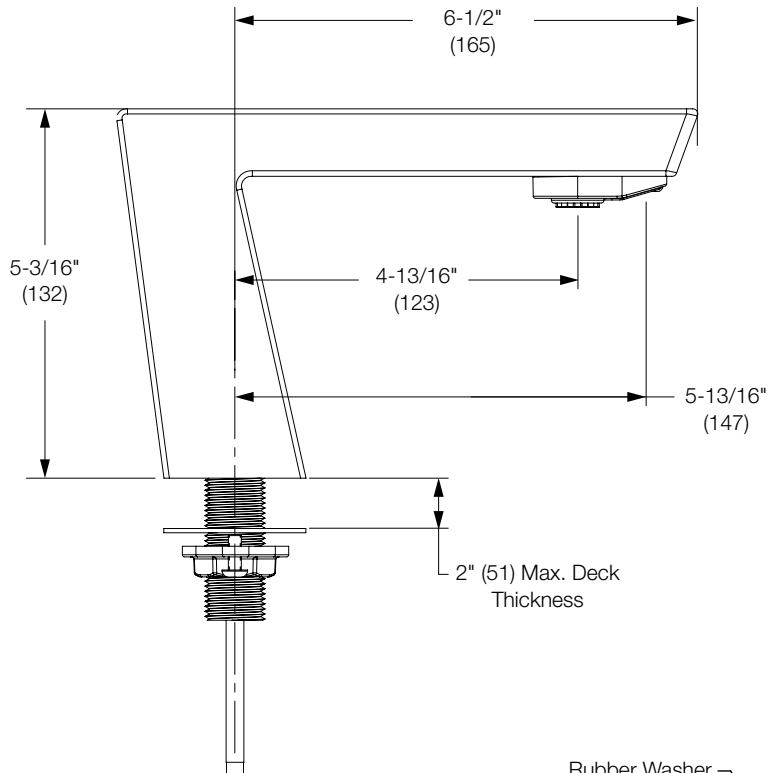
Additional Parts for Purchase (Purchased Separately)	
Feature	Part Number
AC Adapter Splitter Assembly accommodates up to 4 devices when desiring a combination of multiple devices (faucet, soap, & multi-feed soap tank assembly) and/or stations. (Electrical Plug Type B)	A14-031

Verify all rough-in dimensions prior to installation.
Consult local and national codes. Conformity and compliance to local and national codes is the responsibility of the installer.

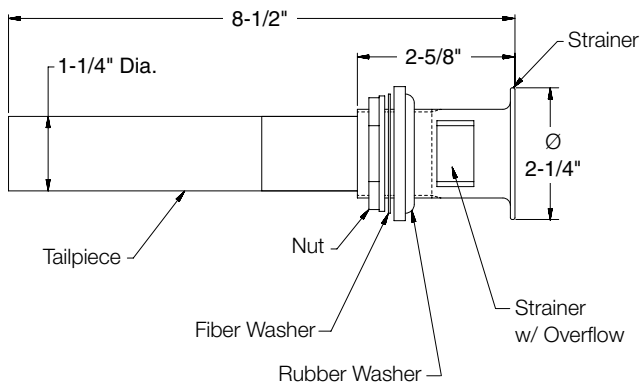


Zen Series Faucet Dimensions

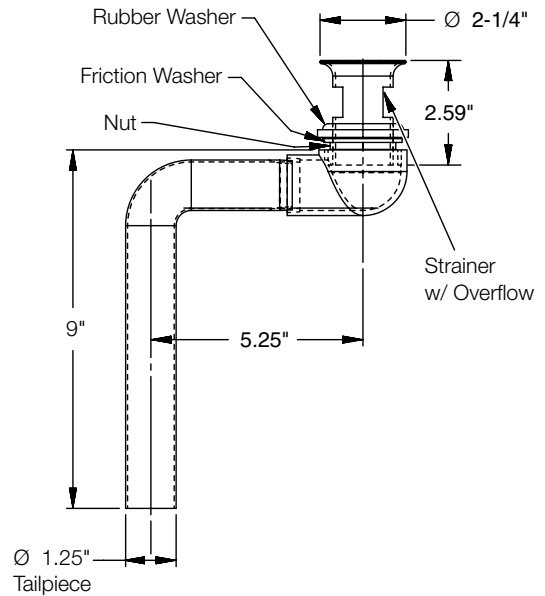
(mm)



Straight Drain Assembly



ADA Offset Drain Assembly



Verify all rough-in dimensions prior to installation.
 Consult local and national codes. Conformity and compliance to local and national codes is the responsibility of the installer.