



# Z6936

## AquaSense Battery-Powered Faucet

TAG \_\_\_\_\_

### Architectural/Engineering Specification:

Designed for modern commercial restrooms, the AquaSense Z6936 sensor faucet delivers a superior user experience in both form and function. This faucet maintains a sleek and simple design that is easy to install and a user-friendly handwashing solution.

This faucet has been designed and manufactured to comply with Section 1417 of the Safe Drinking Water Act (SDWA) which mandates the weighted average lead content of no more than 0.25% of the wetted surface.

### Product Features:

- Infrared convergence-type proximity sensor
- 60 second time out feature
- In-line filter
- 4 "AA" alkaline batteries
- 24" supply hose
- 45" sensor cable

### Suffix Options:

- MV Temperature Mixing Valve
- TMV-1 Thermostatic Mixing Valve for Single Faucets
- SSH Single Supply Hose
- SH Supply Hoses for Mixing Valve
- CP4 4" Cover Plate

### Compliance and Certification:

- ADA Compliant
- ASME A112.18.1/CSA B125.1
- Lead Free Compliant
- Texas Accessibility Standard (TAS)



\*This device is WaterSense labeled when used with the appropriate flow rate and certified for residential and private restrooms.



### Aerator Options:

	Flowrate GPM [LpM]	WaterSense* Labeled	Outlet Type
<b>Standard</b>	0.5[1.9]		Spray
<b>-L</b>	1.0[3.8]	✓	Spray

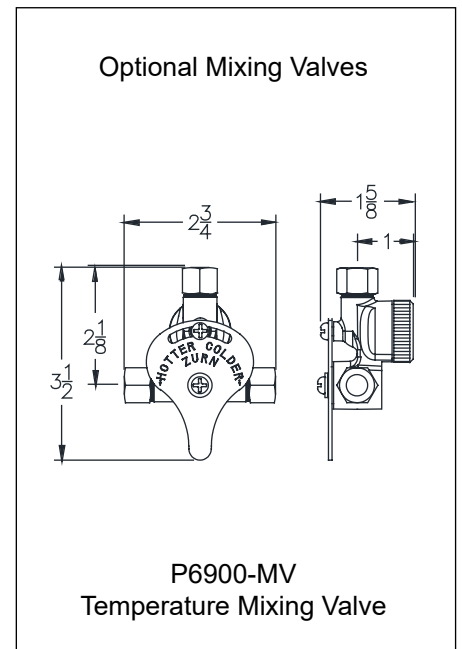
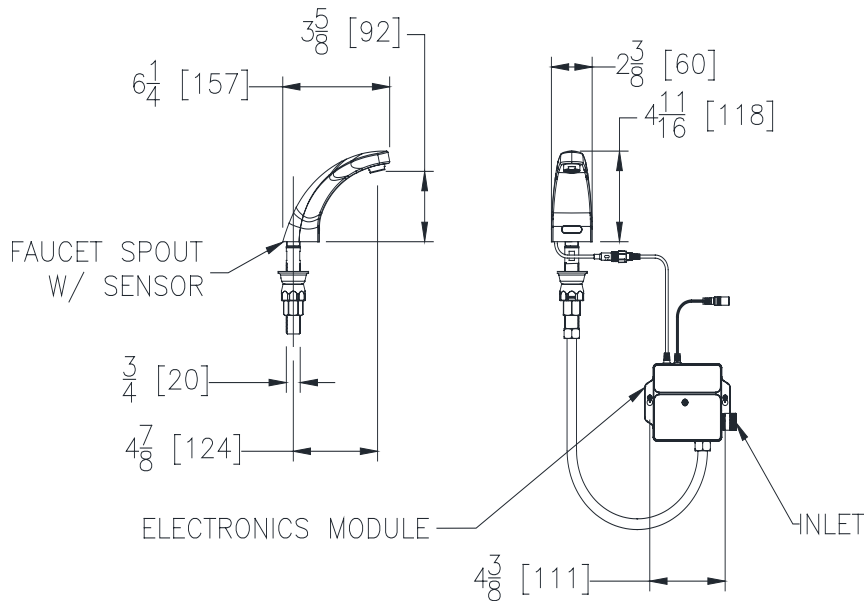
Meets the American Disabilities Guidelines and ANSI A117.1 requirements when installed according to these requirements. In Canada - Consult local codes and standards.

**Architectural/Engineering Approval**

The information contained in this document is subject to change without notice. Please contact Zurn for most up to date information.



### Rough-in dimensions/Overview dimensions



**NOTE:** Recommended through hole diameter to properly mount the spout/shank is 1-1/8" to 1-1/4".