



T&S BRASS AND BRONZE WORKS, INC.

2 Saddleback Cove / P.O. Box 1088
Travelers Rest, SC 29690

Model No.

B-3950

Item No.

Travelers Rest, SC: 800-476-4103 • Simi Valley, CA: 800-423-0150 • Fax: 864-834-3518 • www.tsbrass.com

This Space for Architect/Engineer Approval

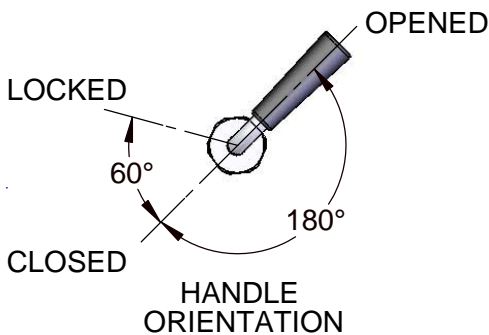
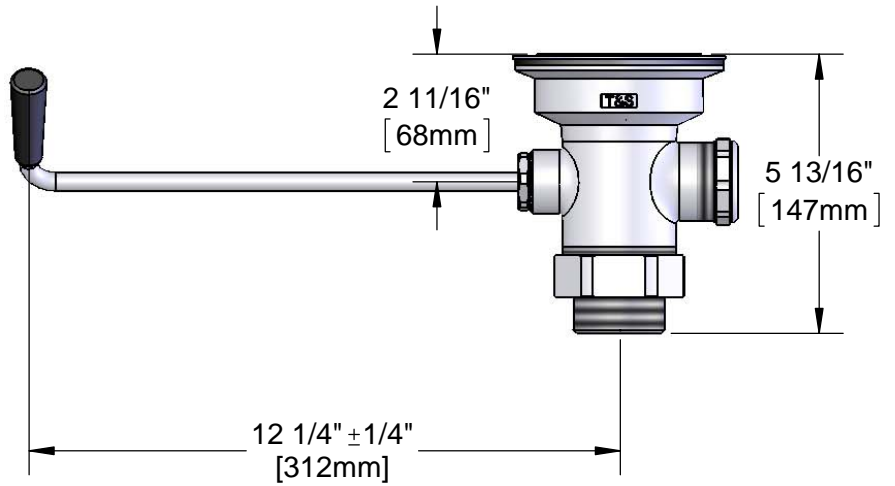
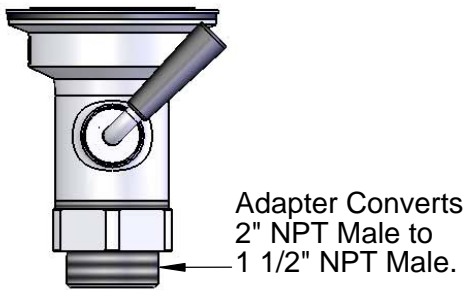
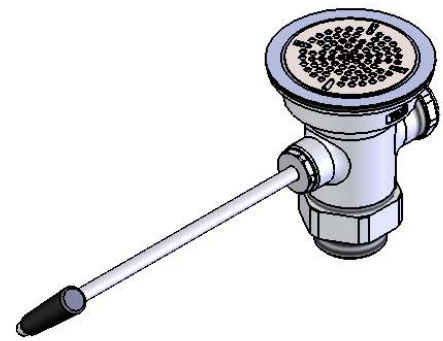
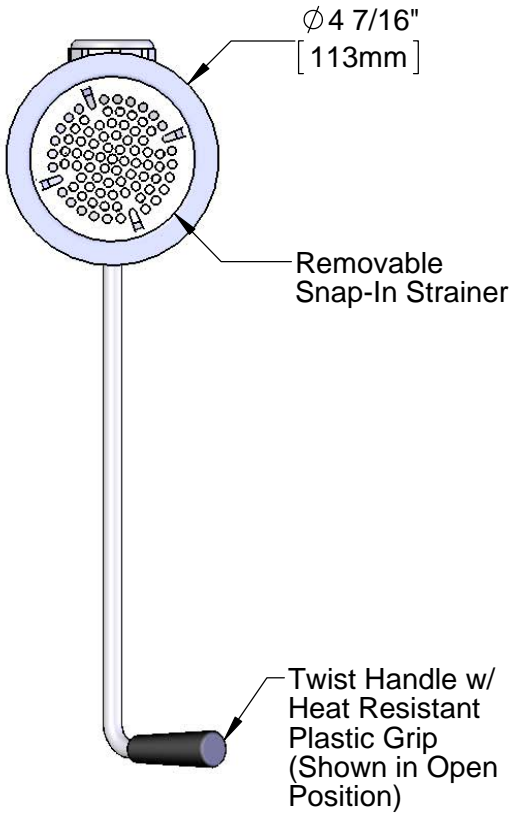
Job Name _____ Date _____

Model Specified _____ Quantity _____

Customer/Wholesaler _____

Contractor _____

Architect/Engineer _____



Product Specifications:
Rotary Waste Valve w/ Twist Handle, 3 1/2" Sink Opening, 2" NPT Male Outlet
& 1 1/2" NPT Male Adapter

Product Compliance:
ASME A112.18.2 / CSA B125.2



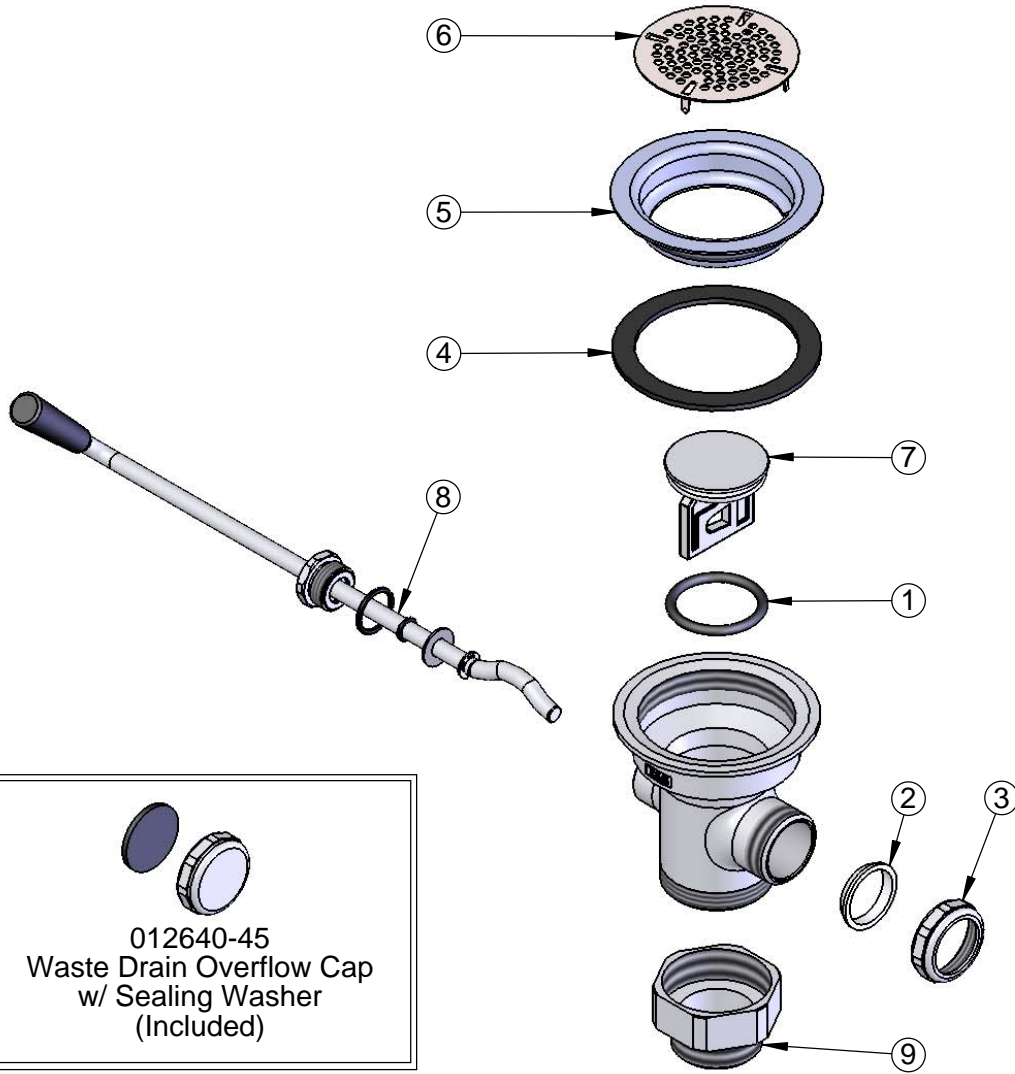
T&S BRASS AND BRONZE WORKS, INC.
 2 Saddleback Cove / P.O. Box 1088
 Travelers Rest, SC 29690

Model No.
B-3950

Item No.

Travelers Rest, SC: 800-476-4103 • Simi Valley, CA: 800-423-0150 • Fax: 864-834-3518 • www.tsbrass.com

ITEM NO.	SALES NO.	DESCRIPTION
1	010389-45	O-Ring, Plunger
2	010390-45	Ferrule, Coupling Nut
3	010391-45	Nut, Coupling For Twist Drain
4	010382-45	Gasket, 3 1/2" Face Flange
5	010384-45	Flange, 3 1/2" Face
6	010386-45	Strainer, 3 1/2" Snap-in Removable
7	010388-45	Plunger, Lever and Twist Drain
8	010393-45	Rotary Waste Valve Twist Handle
9	B-3945	Adapter, 2" NPT x 1 1/2" NPT



Product Specifications:
 Rotary Waste Valve w/ Twist Handle, 3 1/2" Sink Opening, 2" NPT Male Outlet & 1 1/2" NPT Male Adapter

Product Compliance:
 ASME A112.18.2 / CSA B125.2



T&S BRASS AND BRONZE WORKS, INC.

2 Saddleback Cove / P.O. Box 1088
Travelers Rest, SC 29690



REG. #A2601
ISO #9001

Model No.

B-3950-VR

Item No.

Travelers Rest, SC: 800-476-4103 Simi Valley, CA: 800-423-0150 Fax: 864-834-3518 www.tsbrass.com

This Space for Architect/Engineer Approval

Job Name _____ Date _____

Model Specified _____ Quantity _____

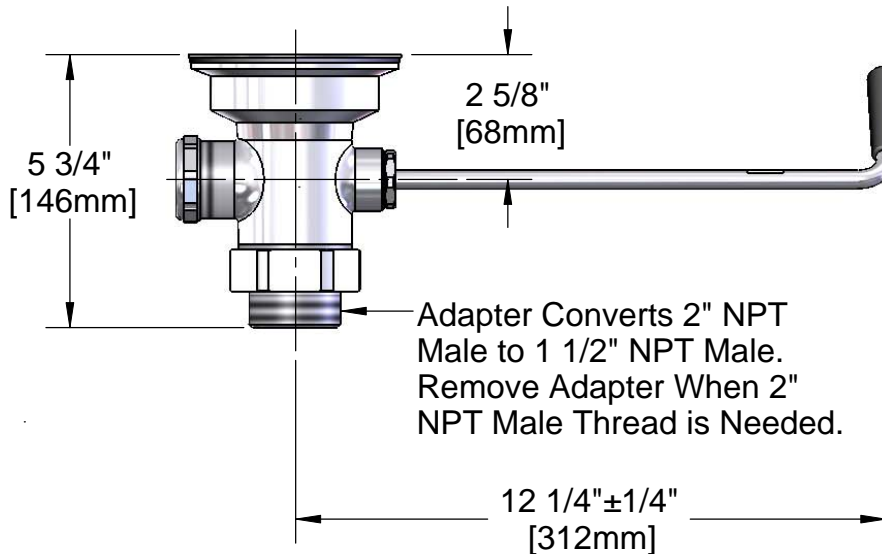
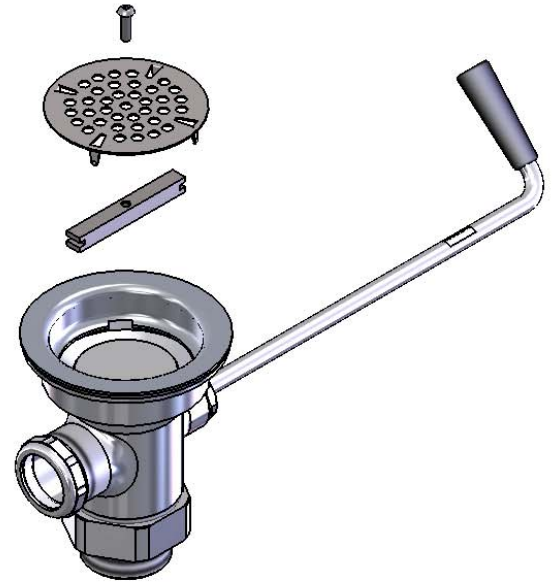
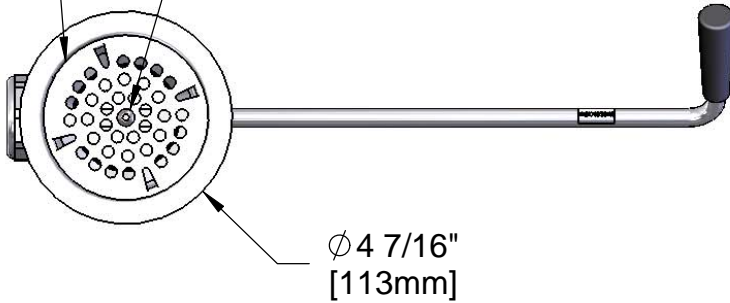
Customer/Wholesaler _____

Contractor _____

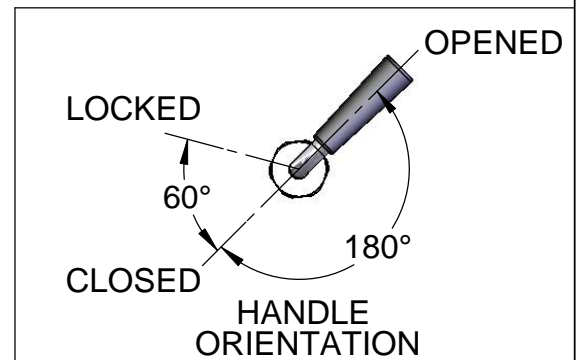
Architect/Engineer _____

Recessed Hex Screw Requires
1/8" Hex Key for Installation and
Removal of Strainer

Vandal Resistant
Flat Strainer



Twist Handle w/
Heat Resistant
Plastic Grip (Shown
in Open Position)



Product Specifications:

Rotary Waste Valve w/ Twist Handle, 3 1/2" Sink Opening,
2" NPT Male Outlet, 1 1/2" NPT Male Adapter, & Vandal
Resistant Flat Strainer

Drawn KJG	Checked GEF	Approved JHB
Scale: 1:4		Date: 05/09/11



T&S BRASS AND BRONZE WORKS, INC.

2 Saddleback Cove / P.O. Box 1088
Travelers Rest, SC 29690



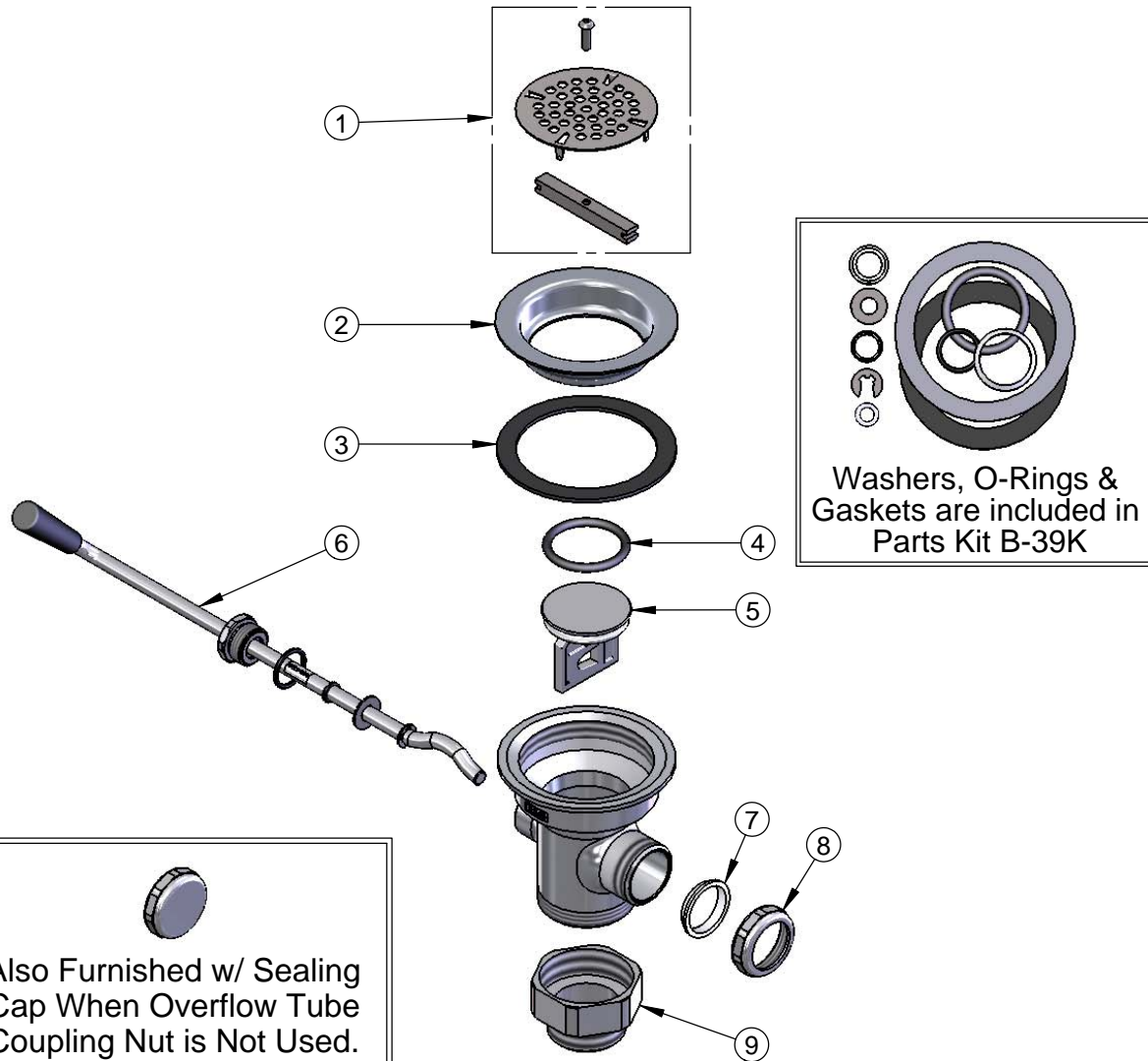
REG. #A2601
ISO #9001

Model No.
B-3950-VR

Item No.

Travelers Rest, SC: 800-476-4103 Simi Valley, CA: 800-423-0150 Fax: 864-834-3518 www.tsbrass.com

ITEM NO.	SALES NO.	DESCRIPTION
1	010386-45VR	Vandal Resistant Locking Flat Strainer, 3 1/2"
2	010384-45	Flange, 3 1/2" Face
3	010382-45	Gasket, 3 1/2" Face Flange
4	010389-45	O-Ring, Plunger
5	010388-45	Plunger, Twist Drain
6	010393-45	Handle Asm, Rotary Waste Valve Twist
7	010390-45	Ferrule, Coupling Nut
8	010391-45	Nut, Coupling For Twist Drain
9	B-3945	Adapter, 2" NPT x 1 1/2" NPT



Also Furnished w/ Sealing Cap When Overflow Tube Coupling Nut is Not Used.
PN# 012640-45

Product Specifications:

Rotary Waste Valve w/ Twist Handle, 3 1/2" Sink Opening, 2" NPT Male Outlet, 1 1/2" NPT Male Adapter, & Vandal Resistant Flat Strainer

Drawn KJG	Checked GEF	Approved JHB
Scale: 1:4		Date: 05/09/11



T&S BRASS AND BRONZE WORKS, INC.

2 Saddleback Cove / P.O. Box 1088
 Travelers Rest, SC 29690



REG. #A2601
 ISO #9001

Model No.

B-3950-SB

Item No.

Travelers Rest, SC: 800-476-4103 • Simi Valley, CA: 800-423-0150 • Fax: 864-834-3518 • www.tsbrass.com

This Space for Architect/Engineer Approval

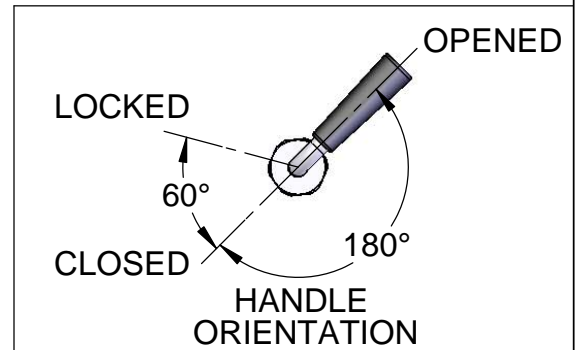
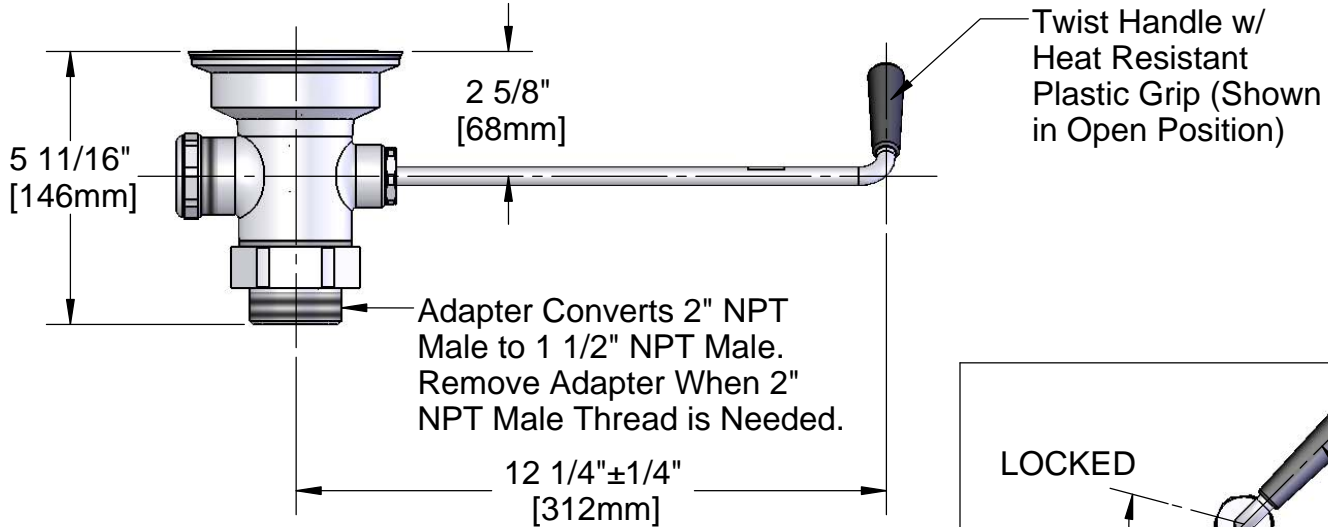
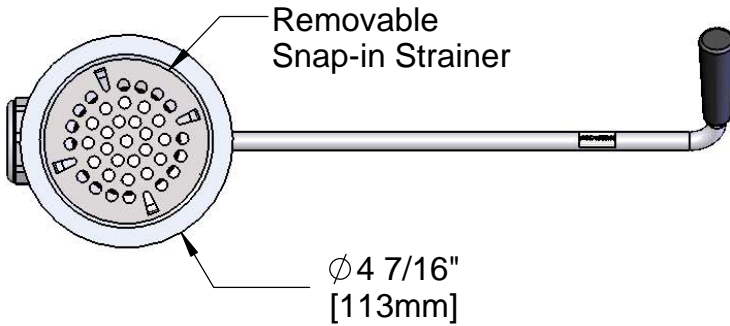
Job Name _____ Date _____

Model Specified _____ Quantity _____

Customer/Wholesaler _____

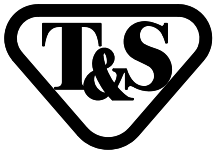
Contractor _____

Architect/Engineer _____



Product Specifications:
 Rotary Waste Valve w/ Twist Handle, 3 1/2" Sink Opening, 2" NPT Male Outlet & 1 1/2" NPT Male Adapter & Removable Strainer Basket

Drawn DHL	Checked JRM	Approved JHB
Scale: 1:4		Date: 05/31/11



T&S BRASS AND BRONZE WORKS, INC.

2 Saddleback Cove / P.O. Box 1088
Travelers Rest, SC 29690



REG. #A2601
ISO #9001

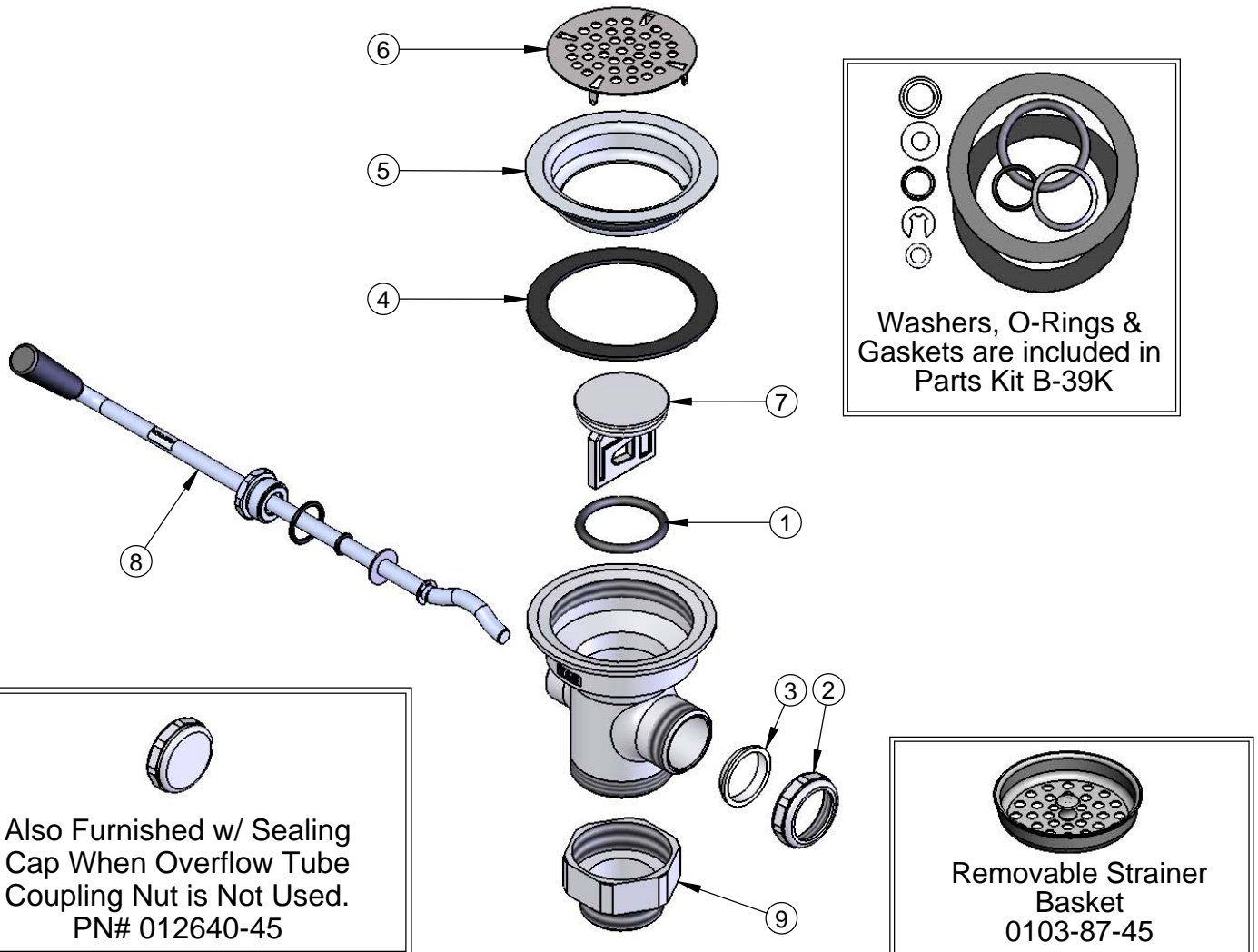
Model No.

B-3950-SB

Item No.

Travelers Rest, SC: 800-476-4103 • Simi Valley, CA: 800-423-0150 • Fax: 864-834-3518 • www.tsbrass.com

ITEM NO.	SALES NO.	DESCRIPTION
1	010389-45	O-Ring, Plunger
2	010391-45	Nut, Coupling For Twist Drain
3	010390-45	Ferrule, Coupling Nut
4	010382-45	Gasket, 3 1/2" Face Flange
5	010384-45	Flange, 3 1/2" Face
6	010386-45	Strainer, 3 1/2" Snap-in Removable
7	010388-45	Plunger, Twist Drain
8	010393-45	Handle Asm, Rotary Waste Valve Twist
9	B-3945	Adapter, 2" NPT x 1 1/2" NPT



Product Specifications:
Rotary Waste Valve w/ Twist Handle, 3 1/2" Sink
Opening, 2" NPT Male Outlet & 1 1/2" NPT Male Adapter
& Removable Strainer Basket

Drawn DHL	Checked JRM	Approved JHB
Scale: NTS		Date: 05/31/11



T&S BRASS AND BRONZE WORKS, INC.

2 Saddleback Cove / P.O. Box 1088
Travelers Rest, SC 29690

Model No.
B-3950-XS

Item No.

Travelers Rest, SC: 800-476-4103 Simi Valley, CA: 800-423-0150 Fax: 864-834-3518 www.tsbrass.com

This Space for Architect/Engineer Approval

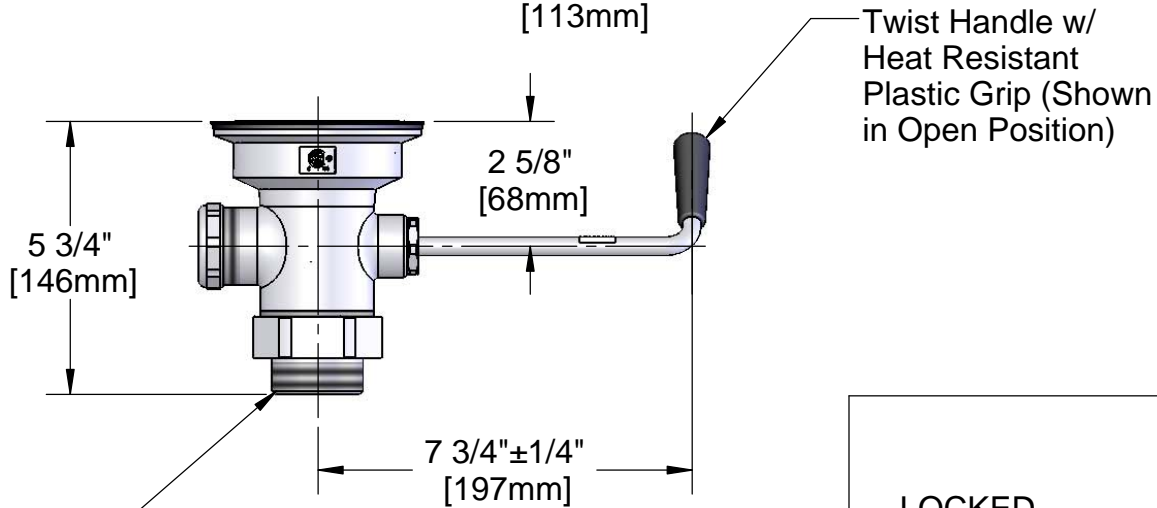
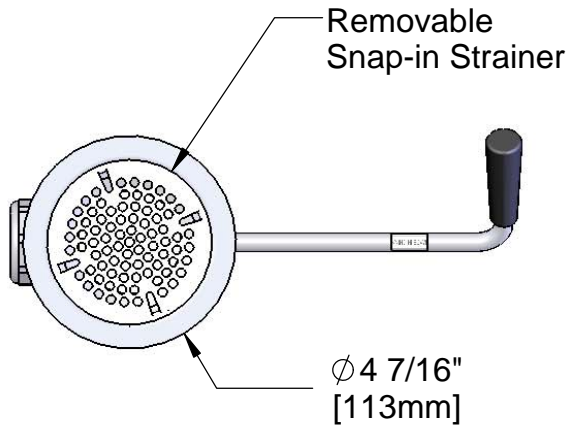
Job Name _____ Date _____

Model Specified _____ Quantity _____

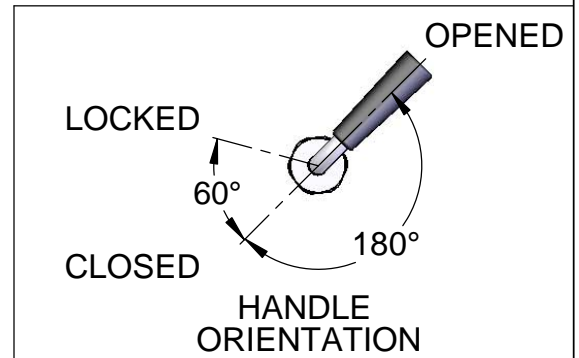
Customer/Wholesaler _____

Contractor _____

Architect/Engineer _____



Adapter Converts 2" NPT Male to 1 1/2" NPT Male. Remove Adapter When 2" NPT Male Thread is Needed.



Product Specifications:
Rotary Waste Valve w/ Short Twist Handle, 3 1/2" Sink Opening, 2" NPT Male Outlet & 1 1/2" NPT Male Adapter

Drawn KJG	Checked DMH	Approved JHB
Scale: 1:4		Date: 10/12/11



T&S BRASS AND BRONZE WORKS, INC.

2 Saddleback Cove / P.O. Box 1088
Travelers Rest, SC 29690

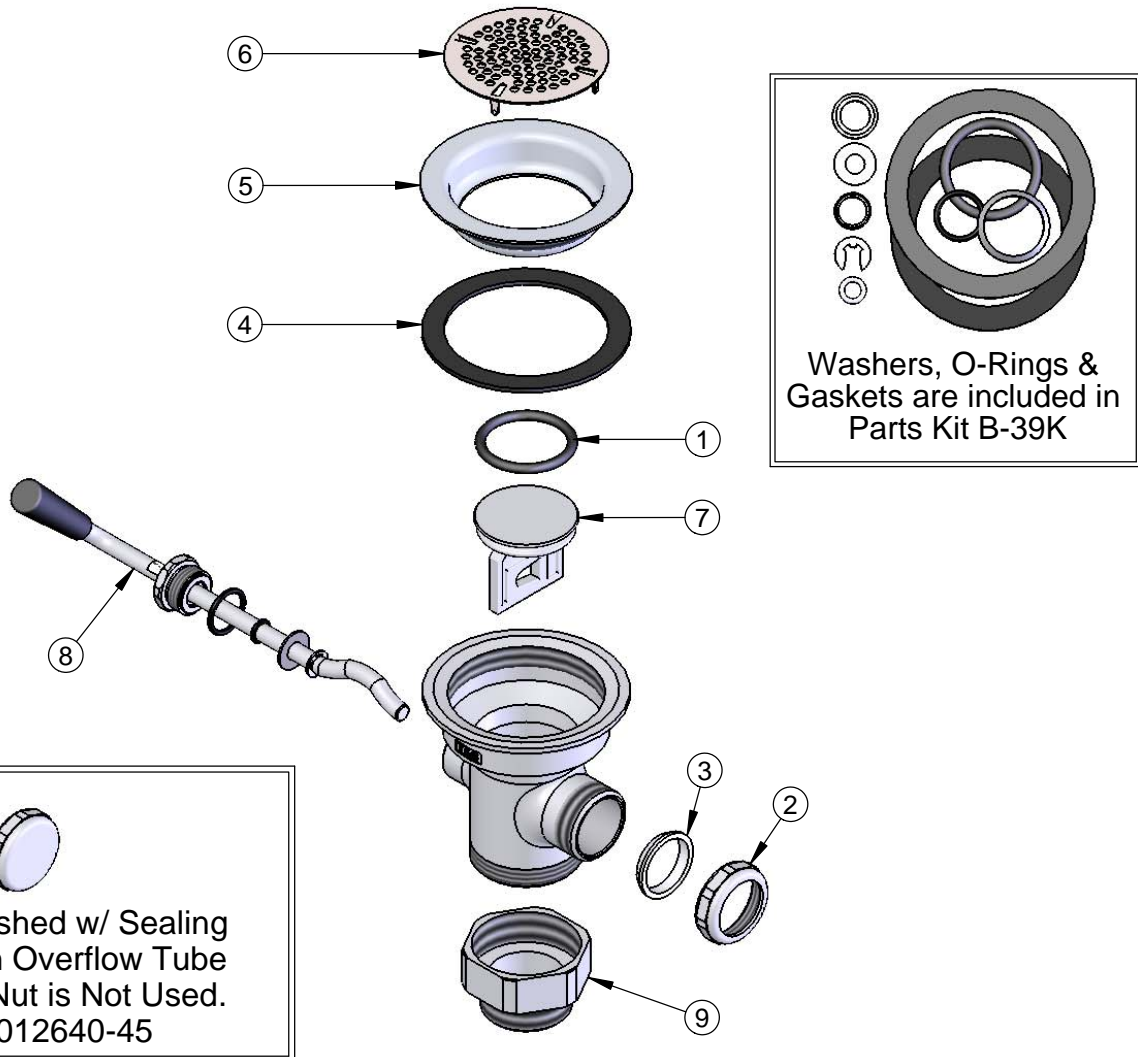
Model No.

B-3950-XS

Item No.

Travelers Rest, SC: 800-476-4103 Simi Valley, CA: 800-423-0150 Fax: 864-834-3518 www.tsbrass.com

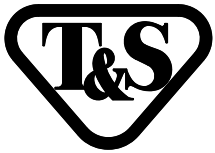
ITEM NO.	SALES NO.	DESCRIPTION
1	010389-45	O-Ring, Plunger
2	010391-45	Nut, Coupling For Twist Drain
3	010390-45	Ferrule, Coupling Nut
4	010382-45	Gasket, 3 1/2" Face Flange
5	010384-45	Flange, 3 1/2" Face
6	010386-45	Strainer, 3 1/2" Snap-in Removable
7	010388-45	Plunger, Lever and Twist Drain
8	010393-45XS	Short Handle Asm, Rotary Waste Valve Twist
9	B-3945	Adapter, 2" NPT x 1 1/2" NPT



Product Specifications:

Rotary Waste Valve w/ Short Twist Handle, 3 1/2" Sink Opening, 2" NPT Male Outlet & 1 1/2" NPT Male Adapter

Drawn KJG	Checked DMH	Approved JHB
Scale: 1:4		Date: 10/12/11



T&S BRASS AND BRONZE WORKS, INC.

2 Saddleback Cove / P.O. Box 1088
Travelers Rest, SC 29690

Model No.

B-3950-XL

Item No.

Travelers Rest, SC: 800-476-4103 • Simi Valley, CA: 800-423-0150 • Fax: 864-834-3518 • www.tsbrass.com

This Space for Architect/Engineer Approval

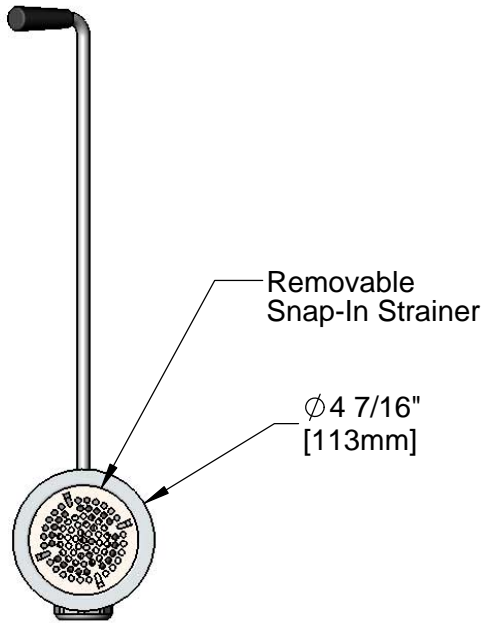
Job Name _____ Date _____

Model Specified _____ Quantity _____

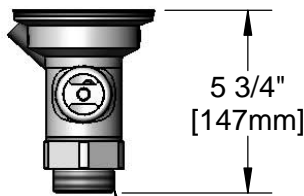
Customer/Wholesaler _____

Contractor _____

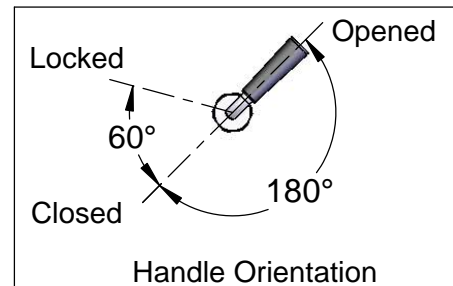
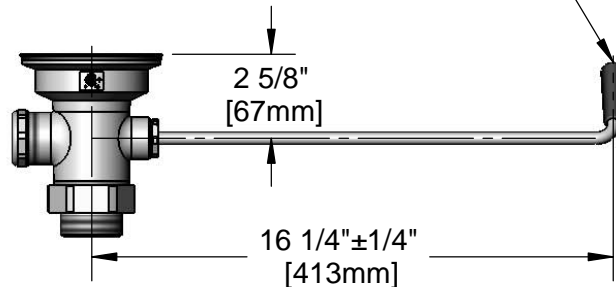
Architect/Engineer _____



Long Twist Handle
w/ Heat Resistant
Plastic Grip (Shown
in Open Position)



Adapter Converts 2" NPT
Male to 1 1/2" NPT Male.
Remove Adapter When 2"
NPT Male Thread is Needed.



Product Specifications:
Rotary Waste Valve w/ Long Twist Handle, 3 1/2" Sink Opening,
2" NPT Male / 1 1/2" NPT Male Adapter

Drawn
KJG

Checked
JRM

Approved
JHB

Scale:
1:6

Date:
11/02/12



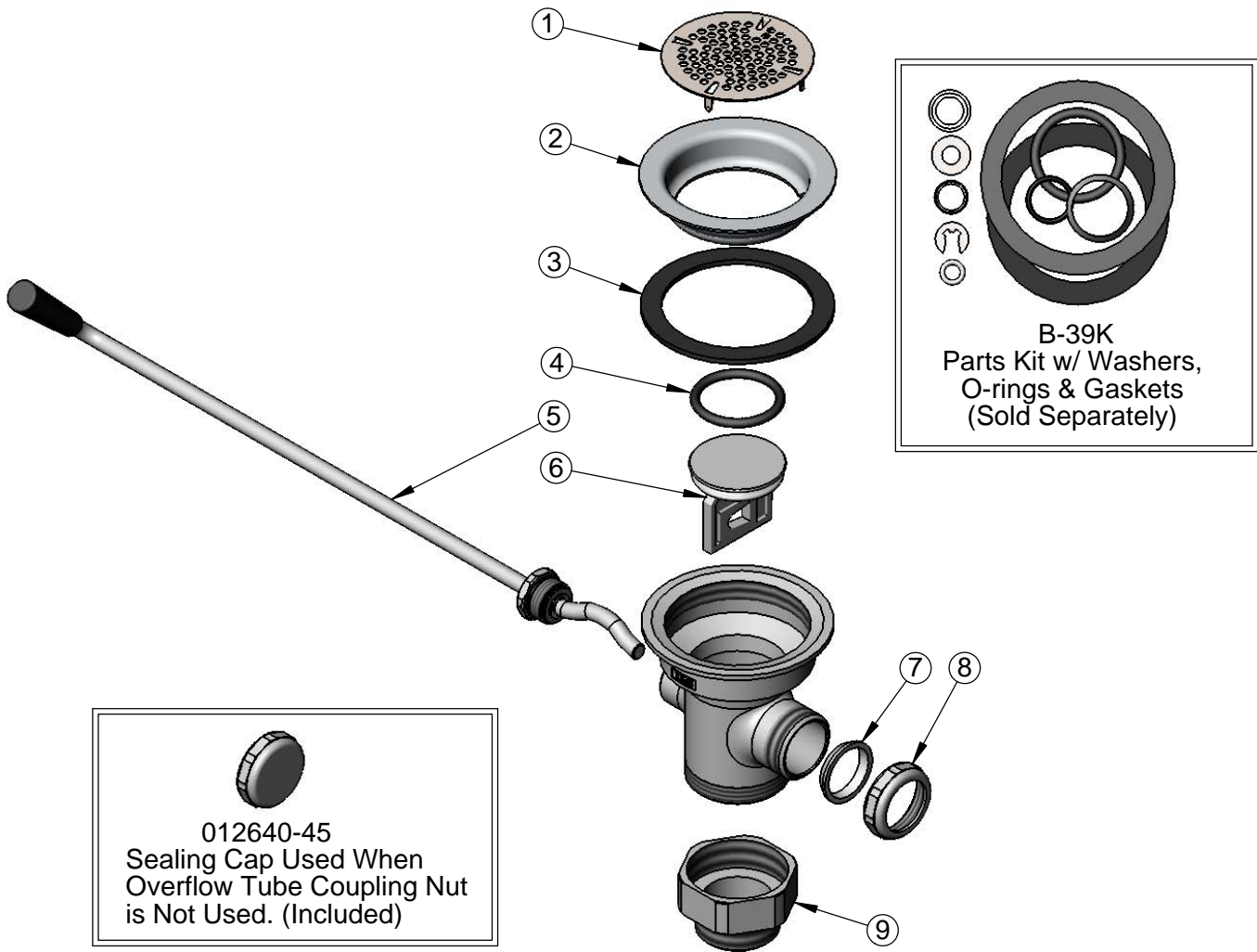
T&S BRASS AND BRONZE WORKS, INC.
 2 Saddleback Cove / P.O. Box 1088
 Travelers Rest, SC 29690

Model No.
B-3950-XL

Item No.

Travelers Rest, SC: 800-476-4103 • Simi Valley, CA: 800-423-0150 • Fax: 864-834-3518 • www.tsbrass.com

ITEM NO.	SALES NO.	DESCRIPTION
1	010386-45	Strainer, 3 1/2" Snap-In Removable
2	010384-45	Flange, 3 1/2" Face
3	010382-45	Gasket, 3 1/2" Face Flange
4	010389-45	O-Ring, Plunger
5	010393-45XL	Handle, Long Twist
6	010388-45	Plunger, Twist Drain
7	010390-45	Ferrule, Coupling Nut
8	010391-45	Nut, Coupling For Twist Drain
9	B-3945	Adapter, 2" NPT x 1 1/2" NPT



Product Specifications:
 Rotary Waste Valve w/ Long Twist Handle, 3 1/2" Sink Opening,
 2" NPT Male / 1 1/2" NPT Male Adapter

Drawn KJG	Checked JRM	Approved JHB
Scale: NTS		Date: 11/02/12



T&S BRASS AND BRONZE WORKS, INC.
 2 Saddleback Cove / P.O. Box 1088
 Travelers Rest, SC 29690

Model No.
B-3952-XS

Item No.

Travelers Rest, SC: 800-476-4103 • Simi Valley, CA: 800-423-0150 • Fax: 864-834-3518 • www.tsbrass.com

This Space for Architect/Engineer Approval

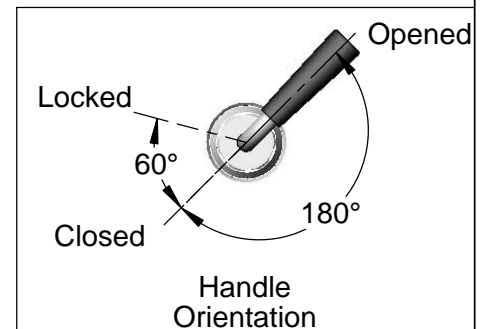
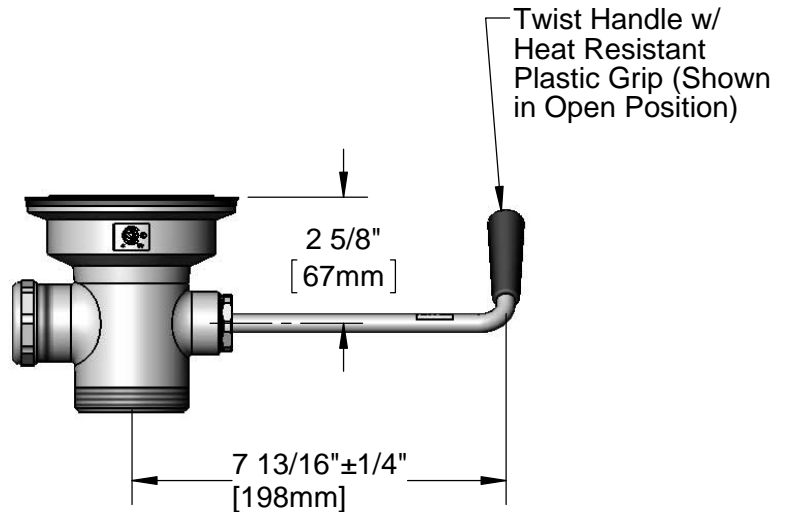
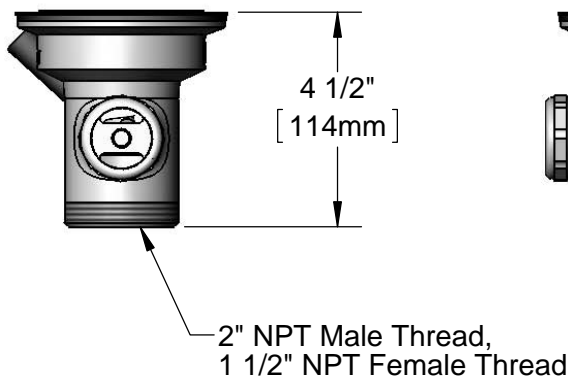
Job Name _____ Date _____

Model Specified _____ Quantity _____

Customer/Wholesaler _____

Contractor _____

Architect/Engineer _____



Product Specifications:
 Rotary Waste Valve w/ Short Twist Handle, 3 1/2" Sink Opening,
 2" NPT Male Outlet / 1 1/2" NPT Female Threads Outlet

Drawn KJG	Checked GEF	Approved JHB
---------------------	-----------------------	------------------------

Scale: 1:4	Date: 06/18/12
----------------------	--------------------------



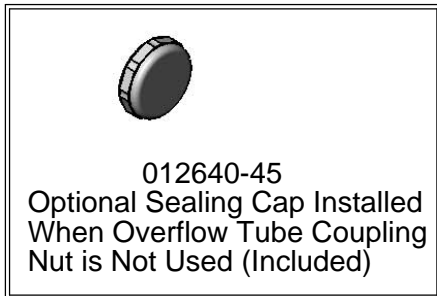
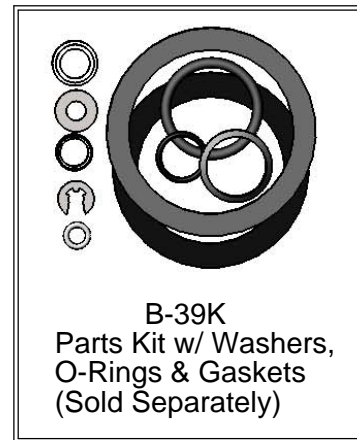
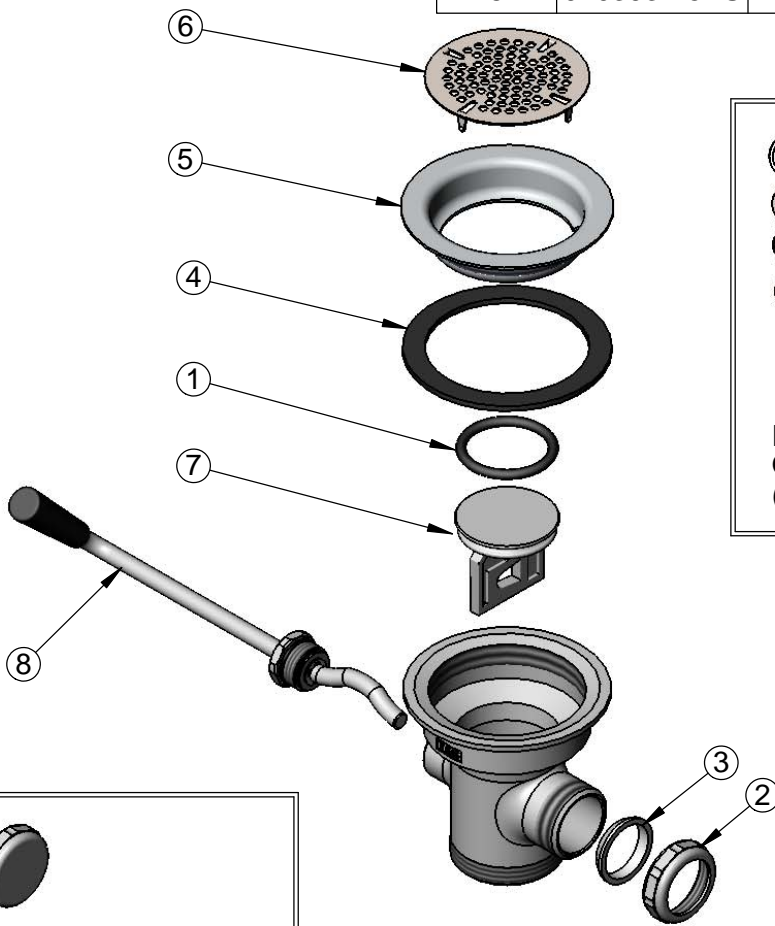
T&S BRASS AND BRONZE WORKS, INC.
 2 Saddleback Cove / P.O. Box 1088
 Travelers Rest, SC 29690

Model No.
B-3952-XS

Item No.

Travelers Rest, SC: 800-476-4103 • Simi Valley, CA: 800-423-0150 • Fax: 864-834-3518 • www.tsbrass.com

ITEM NO.	SALES NO.	DESCRIPTION
1	010389-45	O-Ring, Plunger
2	010391-45	Nut, Coupling For Twist Drain
3	010390-45	Ferrule, Coupling Nut
4	010382-45	Gasket, 3 1/2" Face Flange
5	010384-45	Flange, 3 1/2" Face
6	010386-45	Strainer, 3 1/2" Snap-in Removable
7	010388-45	Plunger, Lever and Twist Drain
8	010393-45XS	Handle Asm, Rotary Waste Valve Twist



Product Specifications:
 Rotary Waste Valve w/ Short Twist Handle, 3 1/2" Sink Opening,
 2" NPT Male Outlet / 1 1/2" NPT Female Threads Outlet

Drawn KJG	Checked GEF	Approved JHB
Scale: NTS		Date: 06/18/12



T&S BRASS AND BRONZE WORKS, INC.

2 Saddleback Cove / P.O. Box 1088
Travelers Rest, SC 29690



REG. #A2601
ISO #9001

Model No.

B-3952-VR

Item No.

Travelers Rest, SC: 800-476-4103 Simi Valley, CA: 800-423-0150 Fax: 864-834-3518 www.tsbrass.com

This Space for Architect/Engineer Approval

Job Name _____ Date _____

Model Specified _____ Quantity _____

Customer/Wholesaler _____

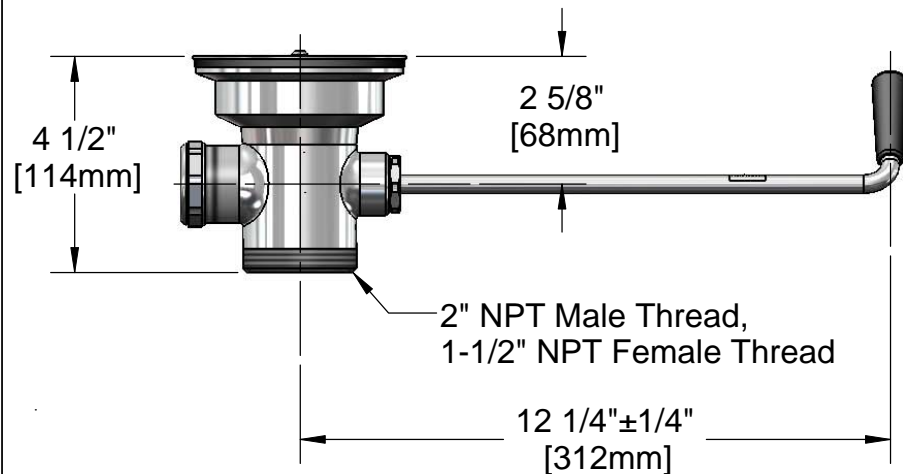
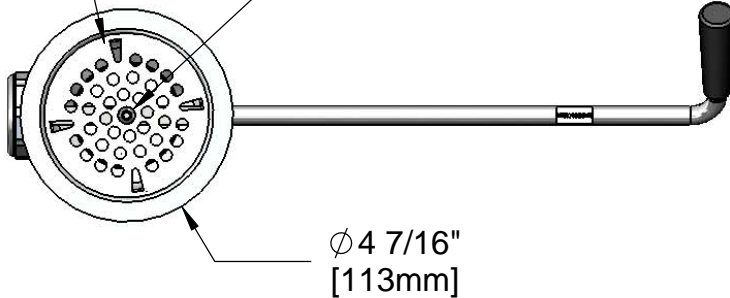
Contractor _____

Architect/Engineer _____

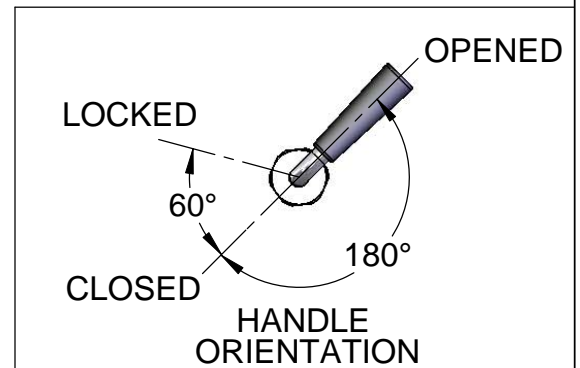


Recessed Hex Screw Requires
1/8" Hex Key for Installation and
Removal of Strainer

Vandal Resistant
Flat Strainer



Twist Handle w/
Heat Resistant
Plastic Grip (Shown
in Open Position)



Product Specifications:

Rotary Waste Valve w/ Twist Handle, 3 1/2" Sink
Opening, 2" NPT Male / 1-1/2" NPT Female Outlet,
Vandal Resistant Flat Strainer

Drawn GEF	Checked DMH	Approved JHB
Scale: 1:4		Date: 01/14/10



T&S BRASS AND BRONZE WORKS, INC.

2 Saddleback Cove / P.O. Box 1088
Travelers Rest, SC 29690



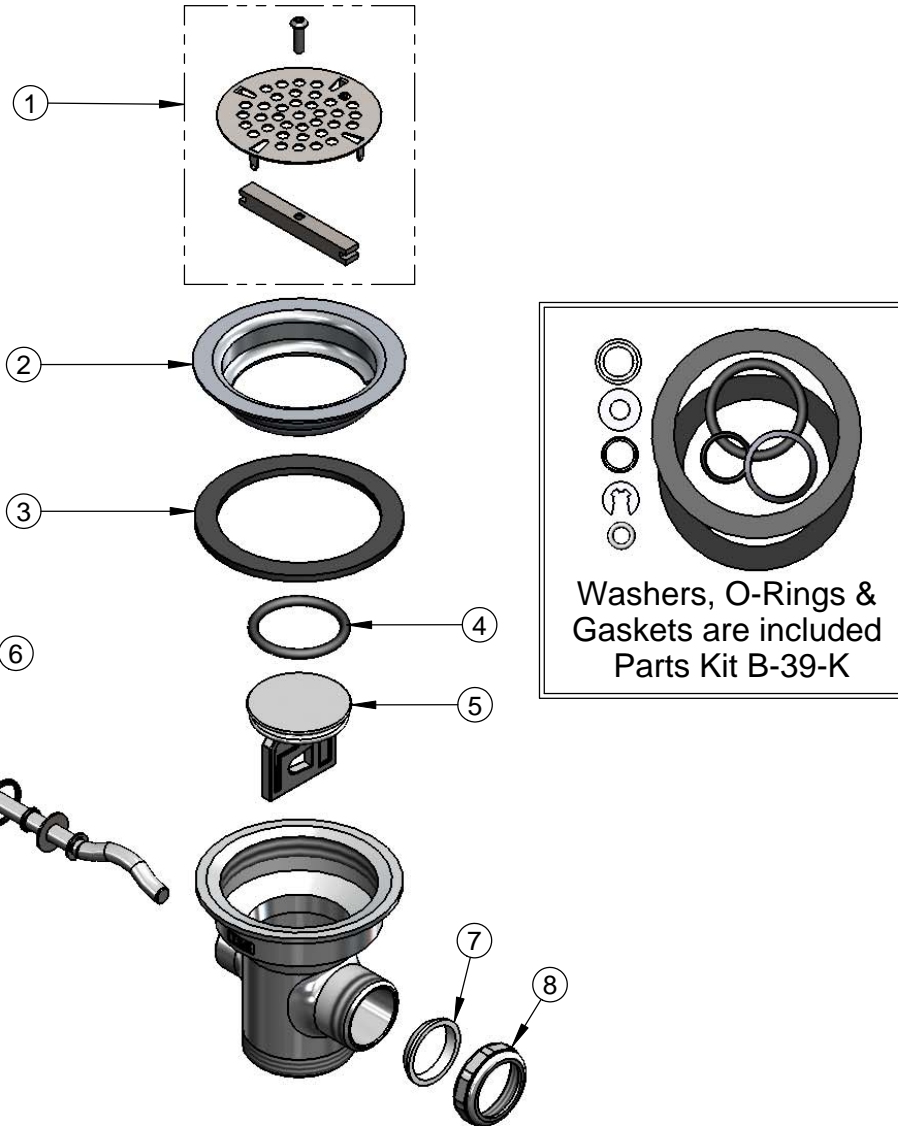
REG. #A2601
ISO #9001

Model No.
B-3952-VR

Item No.

Travelers Rest, SC: 800-476-4103 Simi Valley, CA: 800-423-0150 Fax: 864-834-3518 www.tsbrass.com

ITEM NO.	SALES NO.	DESCRIPTION
1	010386-45VR	Vandal Resistant Locking Flat Strainer, 3-1/2"
2	010384-45	Flange, 3 1/2" Face
3	010382-45	Gasket, 3 1/2" Face Flange
4	010389-45	O-Ring, Plunger
5	010388-45	Plunger, Twist Drain
6	010393-45	Rod Assembly, Twist
7	010390-45	Ferrule, Coupling Nut
8	010391-45	Nut, Coupling For Twist Drain



Also Furnished w/ Sealing Cap When Overflow Tube Coupling Nut is Not Used.
PN# 012640-45

Product Specifications:

Rotary Waste Valve w/ Twist Handle, 3 1/2" Sink Opening, 2" NPT Male / 1-1/2" NPT Female Outlet, Vandal Resistant Flat Strainer

Drawn GEF	Checked DMH	Approved JHB
Scale: 1:4		Date: 01/14/10