



T&S BRASS AND BRONZE WORKS, INC.

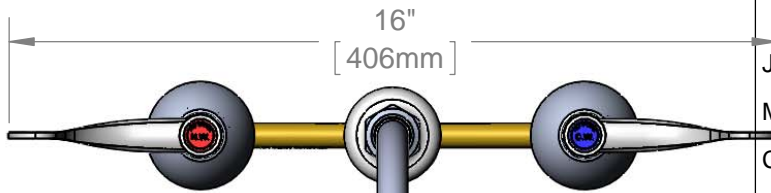
2 Saddleback Cove / P.O. Box 1088
Travelers Rest, SC 29690

Model No.

B-2862

Item No.

Travelers Rest, SC: 800-476-4103 • Simi Valley, CA: 800-423-0150 • Fax: 864-834-3518 • www.tsbrass.com



This Space for Architect/Engineer Approval

Job Name _____ Date _____

Model Specified _____ Quantity _____

Customer/Wholesaler _____

Contractor _____

Architect/Engineer _____

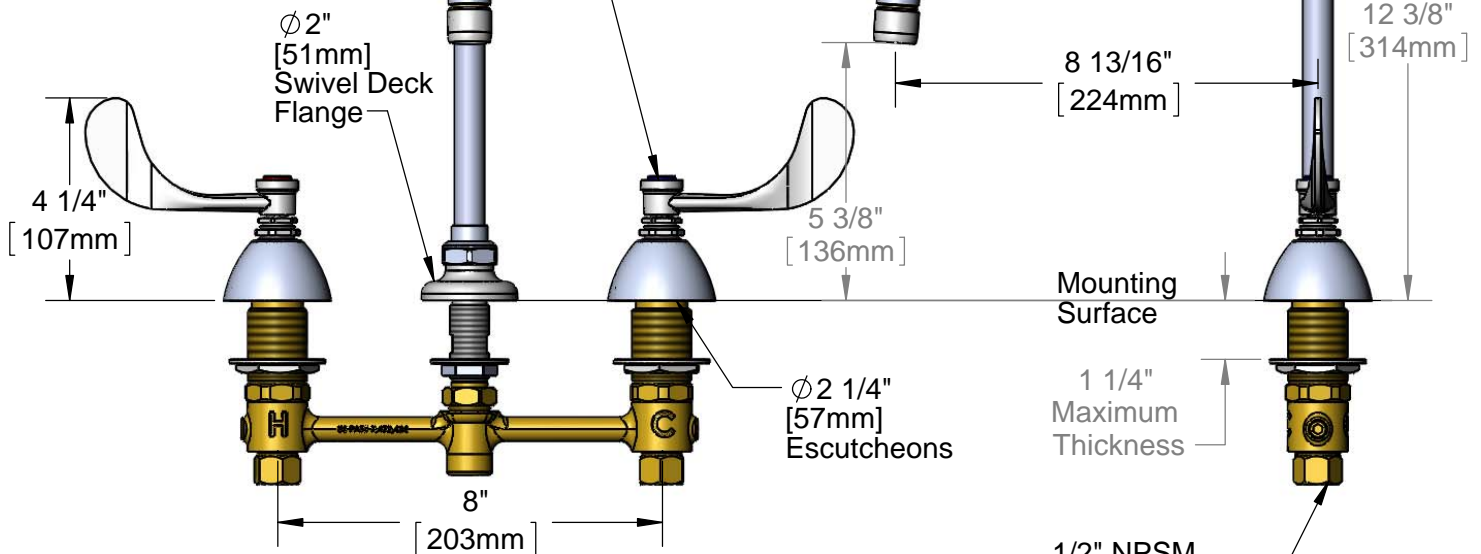


ADA Compliant

Swivel Gooseneck w/
B-0199-02
2.2 GPM Aerator.
Rigid Conversion Requires
014200-45 Lock Washer
(Included)



Eterna Cartridges &
4" Wrist Action Handles
w/ Color Coded Indexes



Rough-In Requirement:
Center Shank: ϕ 1" [25mm] Mounting Hole
Hot/Cold Side: ϕ 1 1/2" [38mm] Mounting Holes

Product Specifications:
8" Deck Mount EasyInstall Mixing Faucet, Eterna Cartridges, 4" Wrist Action Handles, Swivel Gooseneck, 2.2 GPM Aerator & 1/2" NPSM Male Inlets

Product Compliance:
ASME A112.18.1 / CSA B125.1
NSF 61 - Section 9
NSF 372 (Low Lead Content)
ANSI A117.1 (ADA)



T&S BRASS AND BRONZE WORKS, INC.

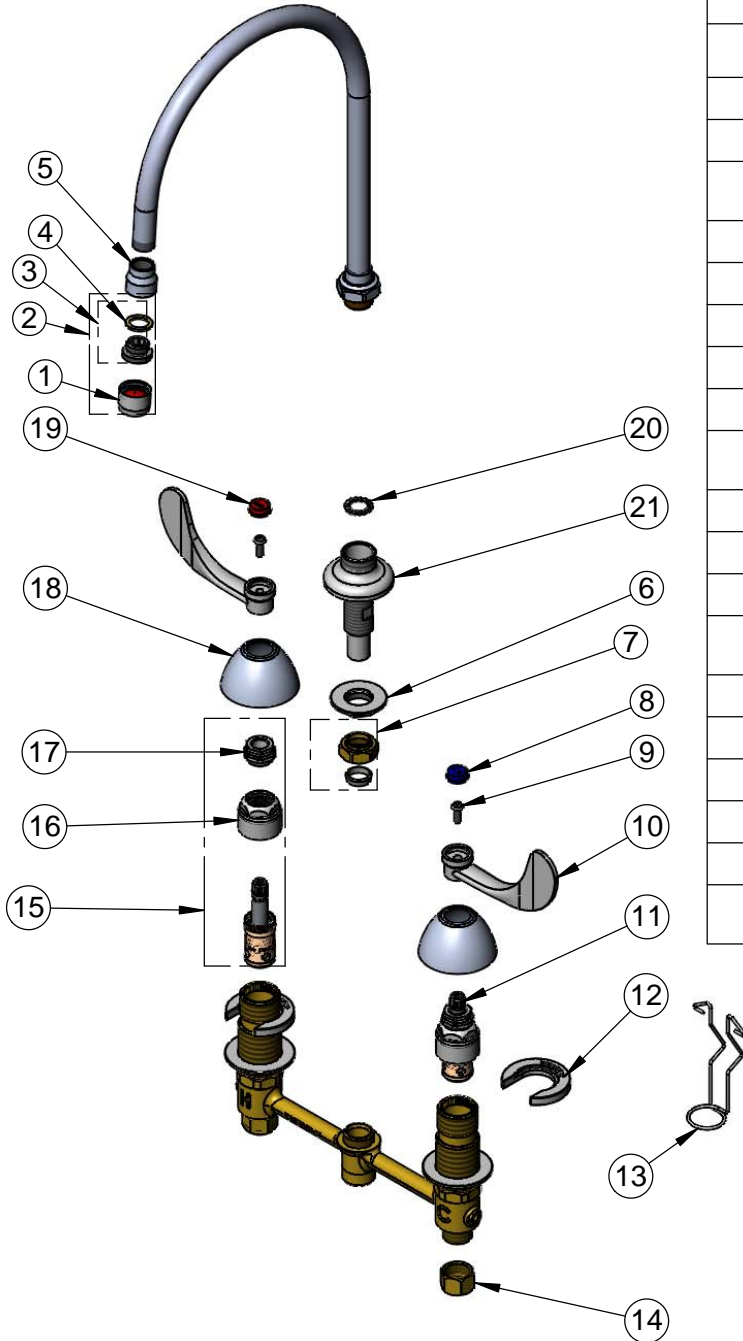
2 Saddleback Cove / P.O. Box 1088
Travelers Rest, SC 29690

Model No.

B-2862

Item No.

Travelers Rest, SC: 800-476-4103 • Simi Valley, CA: 800-423-0150 • Fax: 864-834-3518 • www.tsbrass.com



ITEM NO.	SALES NO.	DESCRIPTION
1	B-0199-01	2.2 GPM Aerator, 55/64"-27 UN Female
2	B-0199-02	2.2 GPM Aerator, 3/8" NPSM Male
3	044A	3/8" to Aerator Adapter
4	001043-45	Washer
5	000557-25	Bell Adapter, 5/8-27 UN Female x 3/8" NPSM Female
6	016742-45	Center Flange Nut
7	016745-45	Compression Nut & Fitting
8	001686-45	Blue Index - CW
9	000925-45	Lab Handle Screw
10	B-WH4	4" Wrist Action Handle
11	016752-40	EasyInstall CWS LTC Eterna (Teflon)
12	016749-45	Sidebody C-Washer
13	016777-45	CWS Hanger
14	000958-20	Coupling Nut
15	016753-40	EasyInstall CWS RTC Eterna (Teflon)
16	016743-25	CWS Eterna Bonnet
17	009002-25	Packing Nut
18	001257-40	Bell Escutcheon
19	001194-45	Red Index - HW
20	014200-45	Star Washer, Anti-Rotation
21	016754-40	EasyInstall CWS Swivel Center Shank



017245-40
Installation Repair Kit
Includes #6, (2)#12, & #13

Product Specifications:

8" Deck Mount EasyInstall Mixing Faucet, Eterna Cartridges, 4" Wrist Action Handles, Swivel Gooseneck, 2.2 GPM Aerator & 1/2" NPSM Male Inlets

Product Compliance:

ASME A112.18.1 / CSA B125.1
NSF 61 - Section 9
NSF 372 (Low Lead Content)
ANSI A117.1 (ADA)



T&S BRASS AND BRONZE WORKS, INC.

2 Saddleback Cove / P.O. Box 1088
Travelers Rest, SC 29690

Model No.

B-2862-08-LF16

Item No.

Travelers Rest, SC: 800-476-4103 • Simi Valley, CA: 800-423-0150 • Fax: 864-834-3518 • www.tsbrass.com

This Space for Architect/Engineer Approval

Job Name _____ Date _____

Model Specified _____ Quantity _____

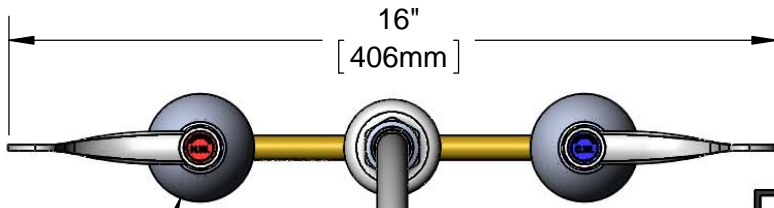
Customer/Wholesaler _____

Contractor _____

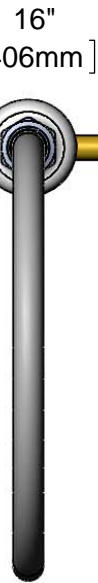
Architect/Engineer _____



ADA Compliant

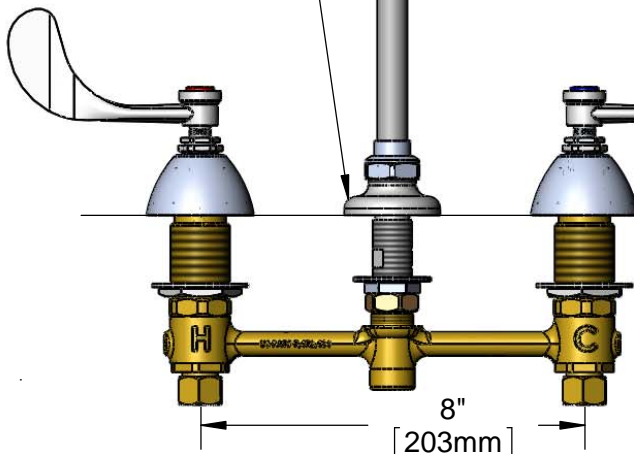


Ø 2-1/4" [57mm]
Escutcheons



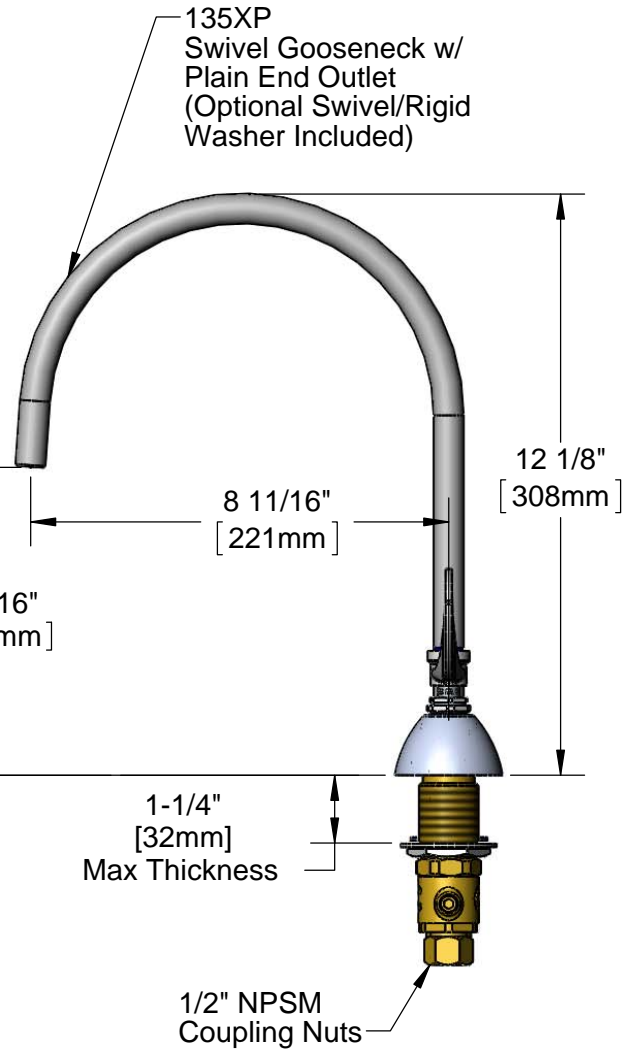
1/4 Turn Eterna Cartridges
w/ 4" Wrist Action Handles
& Color Coded Indexes

Ø 2" [51mm]
Swivel Deck
Flange w/
1.6 GPM
Flow Control



Mounting
Surface

8" [203mm]



135XP
Swivel Gooseneck w/
Plain End Outlet
(Optional Swivel/Rigid
Washer Included)

12 1/8" [308mm]

8 11/16" [221mm]

6 7/16" [163mm]

1-1/4" [32mm]
Max Thickness

1/2" NPSM
Coupling Nuts

Rough-In Requirement:
Ø 1" [25mm] for Center Shank
Ø 1-1/2" [38mm] for Hot/Cold Side

Product Specifications:
EasyInstall Faucet w/ 4" Wrist Action Handles, 1/4 Turn Eterna Cartridges, 8" Inlet Centers, 1.6 GPM Flow Control, & Swivel Gooseneck w/ Plain End Outlet

Drawn JRM	Checked DMH	Approved JHB
Scale: 1:4		Date: 06/21/12



T&S BRASS AND BRONZE WORKS, INC.

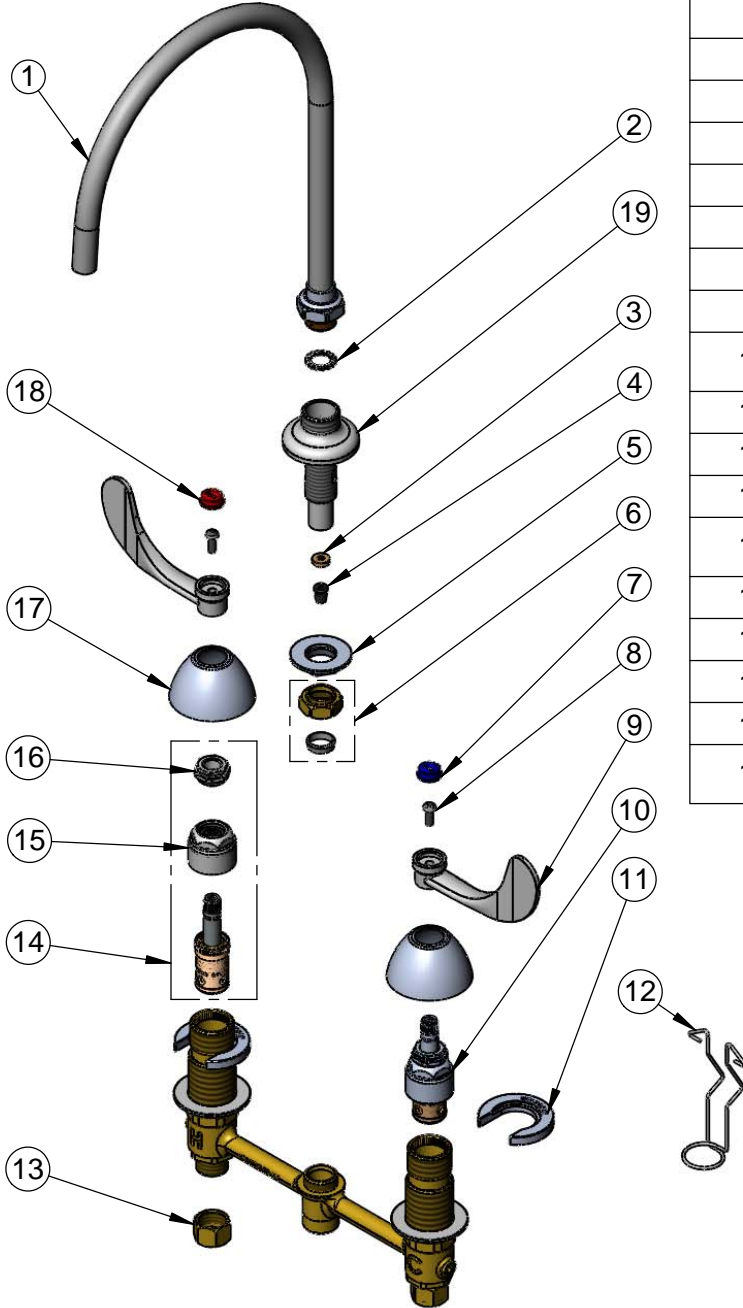
2 Saddleback Cove / P.O. Box 1088
Travelers Rest, SC 29690

Model No.

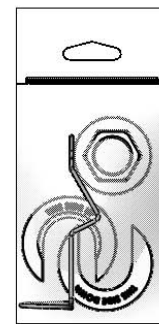
B-2862-08-LF16

Item No.

Travelers Rest, SC: 800-476-4103 • Simi Valley, CA: 800-423-0150 • Fax: 864-834-3518 • www.tsbrass.com



ITEM NO.	SALES NO.	DESCRIPTION
1	135XP	Plain End Gooseneck
2	014200-45	Star Washer, Anti-Rotation
3	009069-45	Flow Control Holder
4	016232-45	Flow Tower, 1.6 GPM
5	016742-45	Center Flange Nut
6	016745-45	Compression Nut & Fitting
7	001686-45	Blue CW Index
8	000925-45	Lab Handle Screw
9	B-WH4	4" Wrist Action Handle
10	016925-40	EasyInstall CWS 1/4 Turn LTC Eterna (Teflon)
11	016749-45	Sidebody C-Washer
12	016777-45	CWS Hanger
13	000958-20	Coupling Nut
14	016926-40	EasyInstall CWS 1/4 Turn RTC Eterna (Teflon)
15	016743-25	CWS Bonnet Assembly
16	009002-25	Packing Nut Assembly
17	001257-40	Bell Escutcheon
18	001194-45	Red HW Index
19	016754-40	EasyInstall CWS Swivel Center Shank



017245-40
Installation Repair Kit
Includes #5, (2)#11, #12

Product Specifications:

EasyInstall Faucet w/ 4" Wrist Action Handles, 1/4 Turn Eterna Cartridges, 8" Inlet Centers, 1.6 GPM Flow Control, & Swivel Gooseneck w/ Plain End Outlet

Drawn

JRM

Checked

DMH

Approved

JHB

Scale:

NTS

Date:

06/21/12



T&S BRASS AND BRONZE WORKS, INC.
 2 Saddleback Cove / P.O. Box 1088
 Travelers Rest, SC 29690

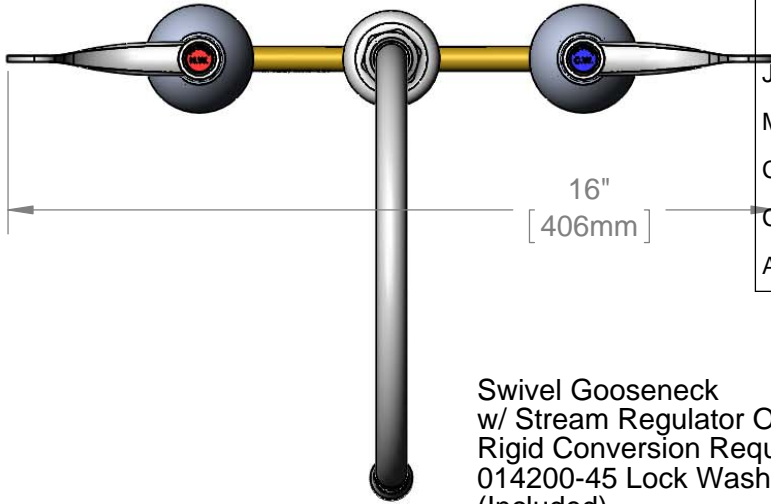
Model No.
B-2862-LF16-WH4

Item No.

Travelers Rest, SC: 800-476-4103 • Simi Valley, CA: 800-423-0150 • Fax: 864-834-3518 • www.tsbrass.com

This Space for Architect/Engineer Approval

Job Name _____ Date _____
 Model Specified _____ Quantity _____
 Customer/Wholesaler _____
 Contractor _____
 Architect/Engineer _____

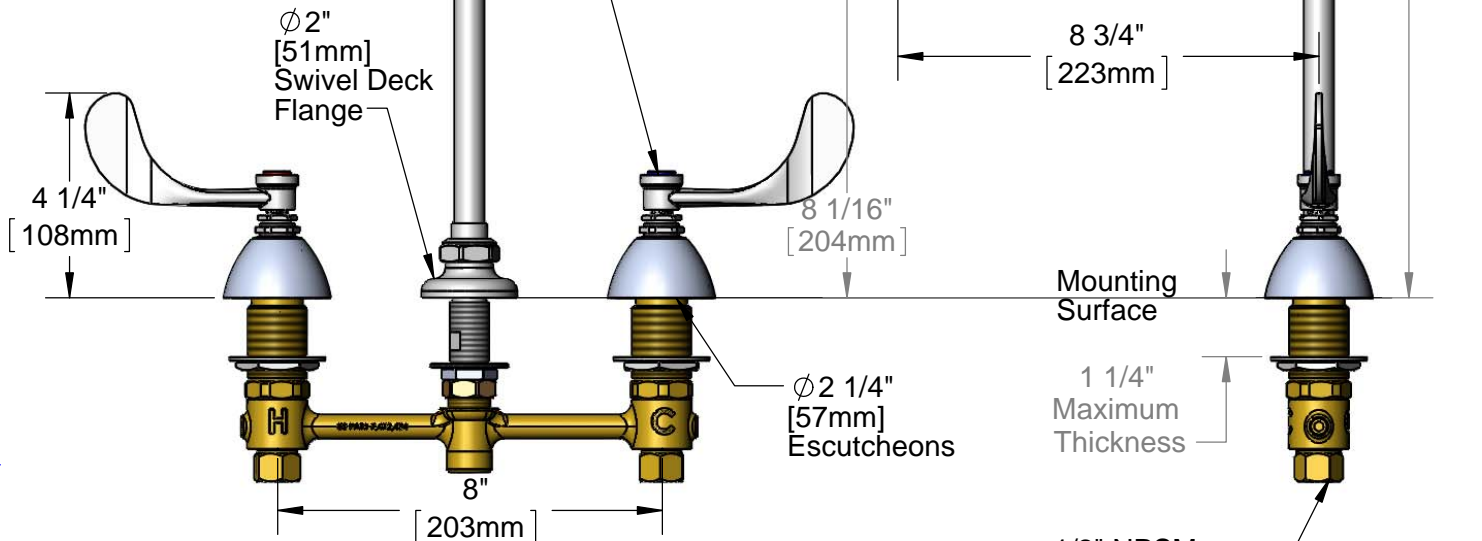


Swivel Gooseneck
 w/ Stream Regulator Outlet.
 Rigid Conversion Requires
 014200-45 Lock Washer
 (Included)



ADA Compliant

1/4 Turn Eterna
 Cartridges & 4"
 Wrist Action Handles
 w/ Color Coded Indexes



Rough-In Requirement:
 Center Shank: $\phi 1"$ [25mm] Mounting Hole
 Hot/Cold Side: $\phi 1 1/2"$ [38mm] Mounting Holes

Product Specifications:
 8" Deck Mount EasyInstall Mixing Faucet, 1/4 Turn Eterna Cartridges, 4" Wrist Action Handles, Swivel Gooseneck, Stream Regulator Outlet & 1/2" NPSM Male Inlets

Product Compliance:
 ASME A112.18.1 / CSA B125.1
 NSF 61 - Section 9
 NSF 372 (Low Lead Content)
 ANSI A117.1 (ADA)



T&S BRASS AND BRONZE WORKS, INC.

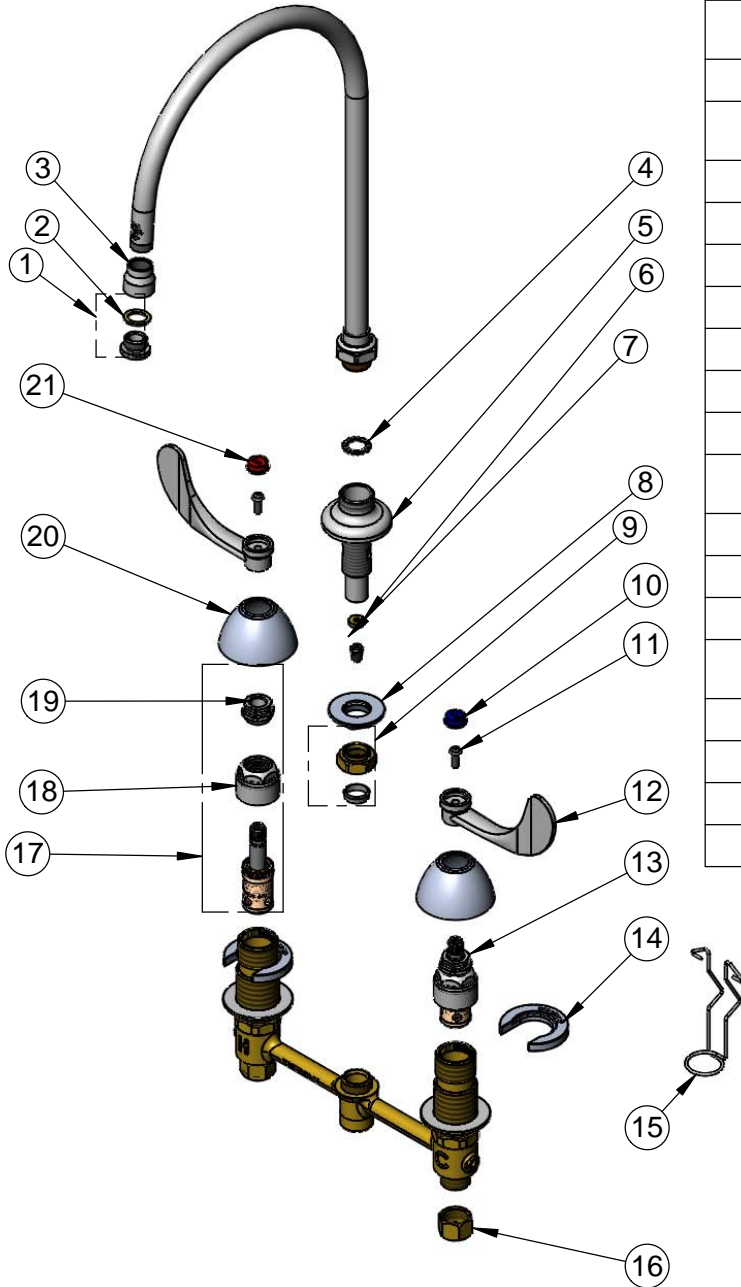
2 Saddleback Cove / P.O. Box 1088
Travelers Rest, SC 29690

Model No.

B-2862-LF16-WH4

Item No.

Travelers Rest, SC: 800-476-4103 • Simi Valley, CA: 800-423-0150 • Fax: 864-834-3518 • www.tsbrass.com



ITEM NO.	SALES NO.	DESCRIPTION
1	B-LT	Stream Regulator Outlet
2	001043-45	Washer
3	000557-25	Bell Adapter, 5/8-27 UN Female x 3/8" NPSM Female
4	014200-45	Star Washer, Anti-Rotation
5	016754-40	EasyInstall CWS Swivel Center Shank
6	009069-45	Flow Control Holder
7	016232-45	Flow Tower, 1.6 GPM
8	016742-45	Center Flange Nut
9	016745-45	Compression Nut & Fitting
10	001686-45	Blue Index - CW
11	000925-45	Lab Handle Screw
12	B-WH4	4" Wrist Action Handle
13	016925-40	EasyInstall CWS 1/4 Turn LTC Eterna (Teflon)
14	016749-45	Sidebody C-Washer
15	016777-45	CWS Hanger
16	000958-20	Coupling Nut
17	016926-40	EasyInstall CWS 1/4 Turn RTC Eterna (Teflon)
18	016743-25	CWS Eterna Bonnet
19	009002-25	Packing Nut
20	001257-40	Bell Escutcheon
21	001194-45	Red Index - HW



017245-40
Installation Repair Kit
Includes #8, (2)#14, & #15

Product Specifications:

8" Deck Mount EasyInstall Mixing Faucet, 1/4 Turn Eterna Cartridges, 4" Wrist Action Handles, Swivel Gooseneck, Stream Regulator Outlet & 1/2" NPSM Male Inlets

Product Compliance:

ASME A112.18.1 / CSA B125.1
NSF 61 - Section 9
NSF 372 (Low Lead Content)
ANSI A117.1 (ADA)



T&S BRASS AND BRONZE WORKS, INC.

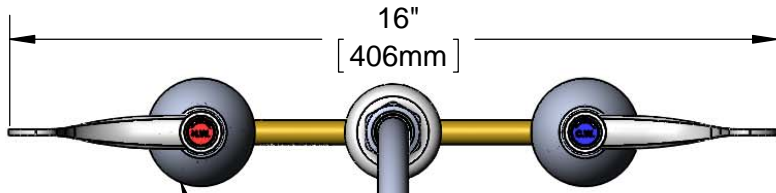
2 Saddleback Cove / P.O. Box 1088
Travelers Rest, SC 29690

Model No.

B-2862-QT

Item No.

Travelers Rest, SC: 800-476-4103 • Simi Valley, CA: 800-423-0150 • Fax: 864-834-3518 • www.tsbrass.com



Ø2-1/4"
[57mm]
Escutcheons



ADA Compliant

This Space for Architect/Engineer Approval

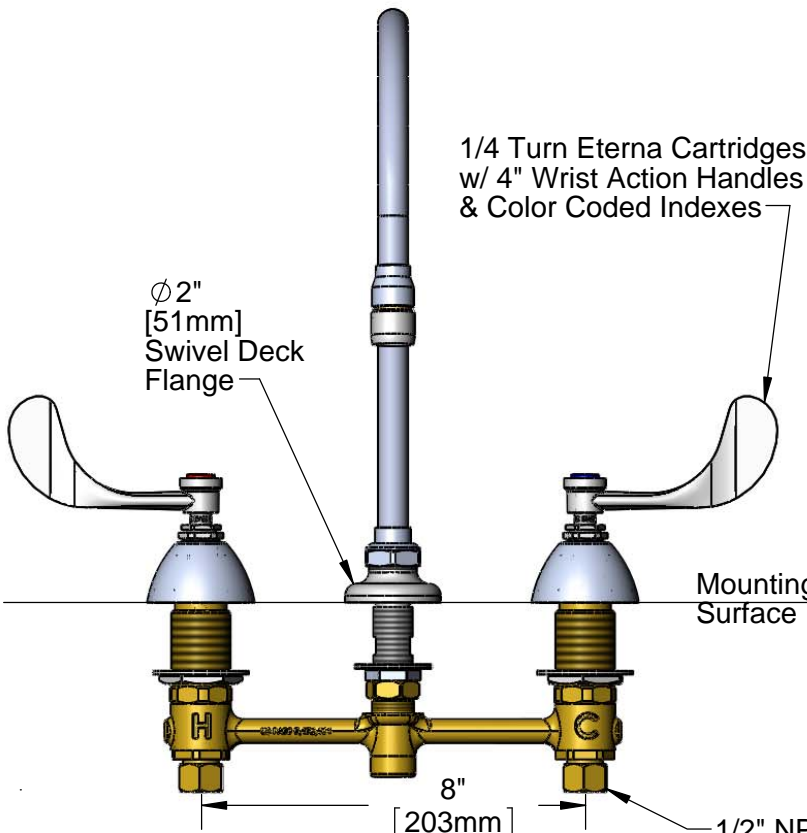
Job Name _____ Date _____

Model Specified _____ Quantity _____

Customer/Wholesaler _____

Contractor _____

Architect/Engineer _____



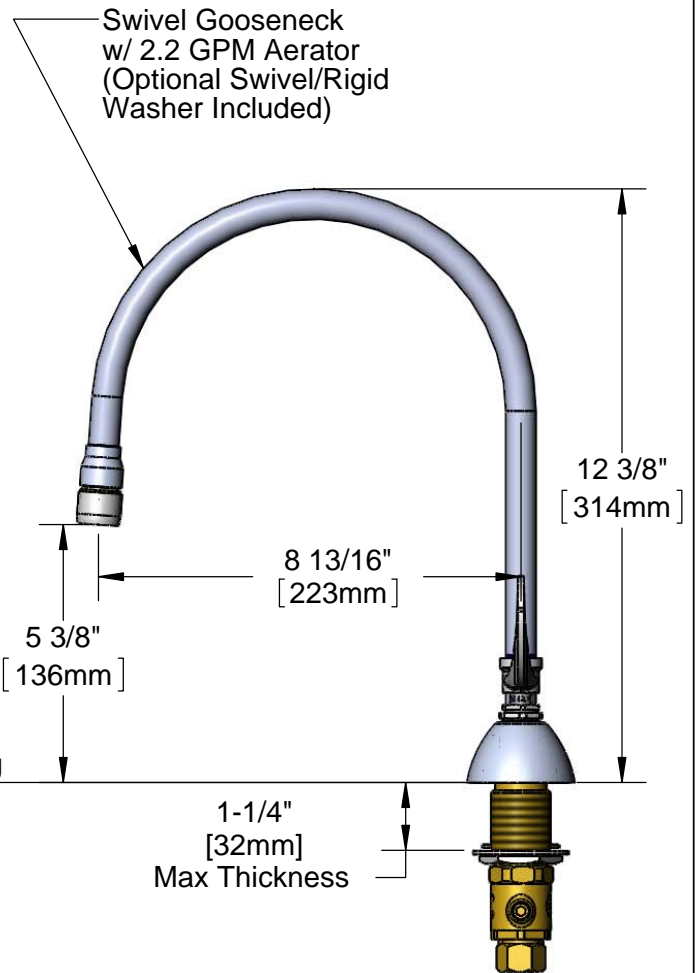
1/4 Turn Eterna Cartridges
w/ 4" Wrist Action Handles
& Color Coded Indexes

Ø2"
[51mm]
Swivel Deck
Flange

Mounting
Surface

8"
[203mm]

1/2" NPSM
Coupling Nuts



Swivel Gooseneck
w/ 2.2 GPM Aerator
(Optional Swivel/Rigid
Washer Included)

12 3/8"
[314mm]

8 13/16"
[223mm]

5 3/8"
[136mm]

1-1/4"
[32mm]
Max Thickness

Rough-In Requirement:
Ø1" [25mm] for Center Shank
Ø1-1/2" [38mm] for Hot/Cold Side

Product Specifications:
EasyInstall Faucet w/ 4" Wrist Action Handles, 1/4 Turn Eterna
Cartridges, 8" Inlet Centers & Swivel Gooseneck w/ 2.2 GPM Aerator

Drawn

JRM

Checked

DMH

Approved

JHB

Scale:

1:4

Date:

06/21/12



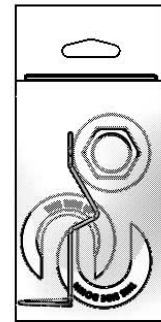
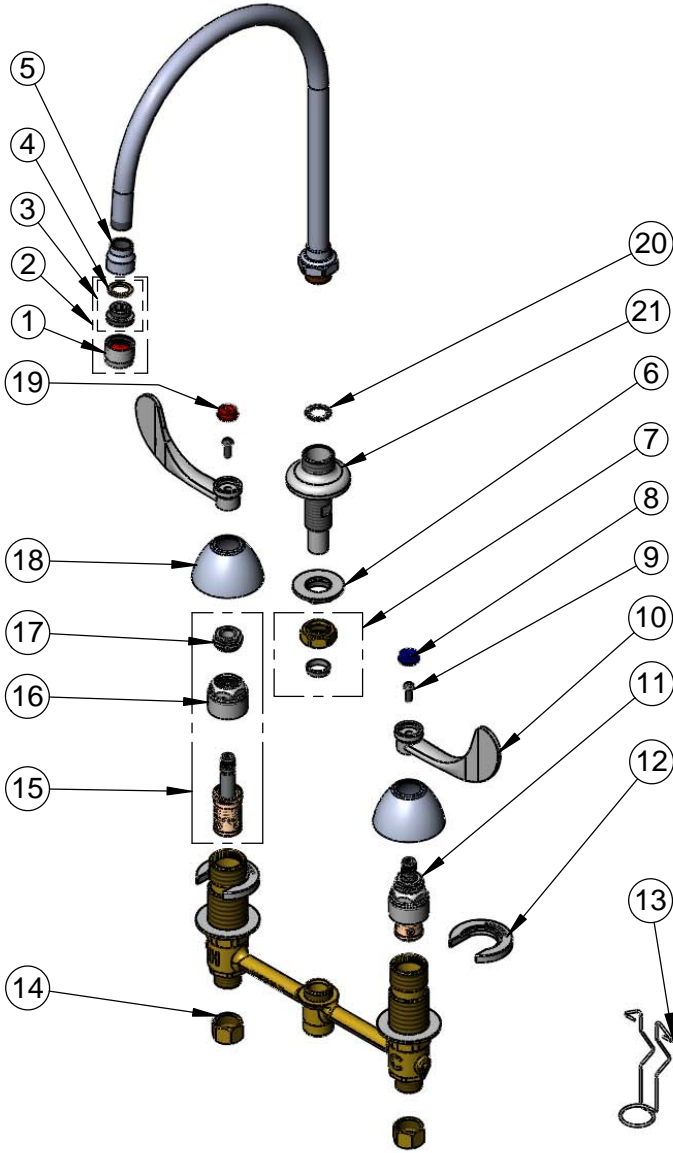
T&S BRASS AND BRONZE WORKS, INC.
 2 Saddleback Cove / P.O. Box 1088
 Travelers Rest, SC 29690

Model No.
B-2862-QT

Item No.

Travelers Rest, SC: 800-476-4103 • Simi Valley, CA: 800-423-0150 • Fax: 864-834-3518 • www.tsbrass.com

ITEM NO.	SALES NO.	DESCRIPTION
1	B-0199-01	2.2 GPM Female Aerator
2	B-0199-02	2.2 GPM Male Aerator
3	044A	3/8" to Aerator Adapter
4	009636-45	Washer
5	000557-25	Bell Adapter
6	016742-45	Center Flange Nut
7	016745-45	Compression Nut & Fitting
8	001686-45	Blue CW Index
9	000925-45	Lab Handle Screw
10	B-WH4	4" Wrist Action Handle
11	016925-40	1/4 Turn Eterna LTC (Teflon)
12	016749-45	C-Washer
13	016777-45	CWS Hanger
14	000958-20	Coupling Nut
15	016926-40	1/4 Turn Eterna RTC (Teflon)
16	016743-25	CWS Bonnet Assembly
17	009002-25	Packing Nut Assembly
18	001257-40	Bell Escutcheon
19	001194-45	Red HW Index
20	014200-45	Star Washer, Anti-Rotation
21	016754-40	EasyInstall CWS Swivel Center Shank

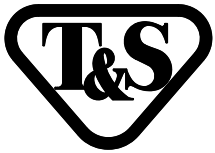


017245-40
 Installation Repair Kit
 Includes #6, (2)#12, & #13

Product Specifications:
 EasyInstall Faucet w/ 4" Wrist Action Handles, 1/4 Turn Eterna Cartridges, 8" Inlet Centers & Swivel Gooseneck w/ 2.2 GPM Aerator

Drawn JRM	Checked DMH	Approved JHB
---------------------	-----------------------	------------------------

Scale: NTS	Date: 06/21/12
----------------------	--------------------------

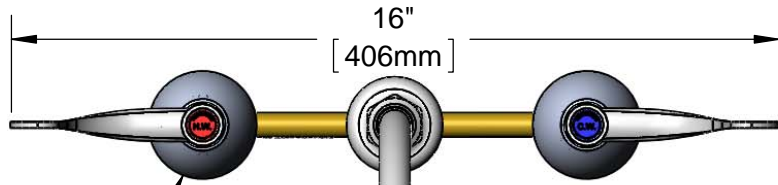


T&S BRASS AND BRONZE WORKS, INC.
 2 Saddleback Cove / P.O. Box 1088
 Travelers Rest, SC 29690

Model No.
B-2862-QT-WS

Item No.

Travelers Rest, SC: 800-476-4103 • Simi Valley, CA: 800-423-0150 • Fax: 864-834-3518 • www.tsbrass.com



Ø 2-1/4" [57mm]
 Escutcheons

This Space for Architect/Engineer Approval

Job Name _____ Date _____

Model Specified _____ Quantity _____

Customer/Wholesaler _____

Contractor _____

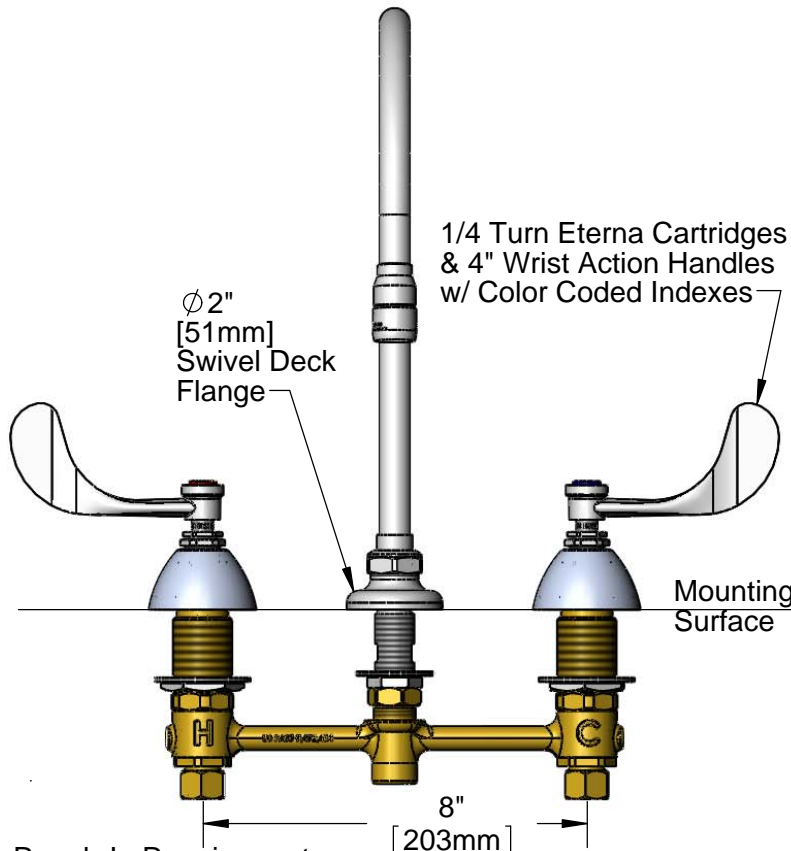
Architect/Engineer _____



ADA Compliant



Swivel Gooseneck
 w/ WaterSense
 1.5 GPM Aerator
 (Optional Swivel/Rigid
 Washer Included)



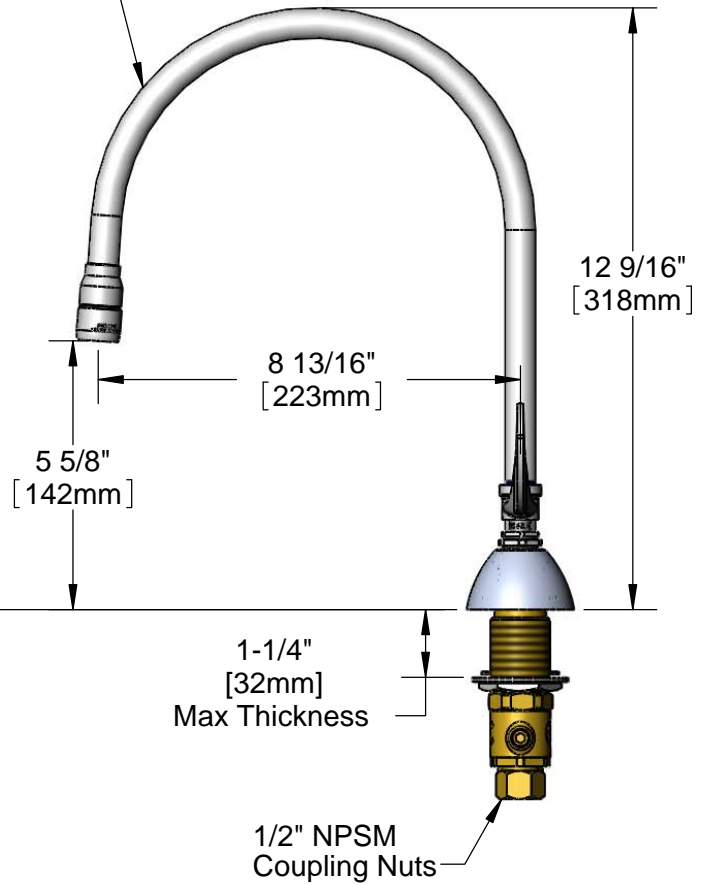
Ø 2" [51mm]
 Swivel Deck
 Flange

1/4 Turn Eterna Cartridges
 & 4" Wrist Action Handles
 w/ Color Coded Indexes

Mounting
 Surface

8" [203mm]

Rough-In Requirement:
 Ø 1" [25mm] for Center Shank
 Ø 1-1/2" [38mm] for Hot/Cold Side



12 9/16" [318mm]

8 13/16" [223mm]

5 5/8" [142mm]

1-1/4" [32mm]
 Max Thickness

1/2" NPSM
 Coupling Nuts

Product Specifications:
 EasyInstall Faucet w/ 4" Wrist Action Handles, 1/4 Turn Eterna
 Cartridges, 8" Inlet Centers & Swivel Gooseneck w/ 1.5 GPM Aerator

Drawn JRM	Checked DMH	Approved JHB
---------------------	-----------------------	------------------------

Scale: 1:4	Date: 06/21/12
----------------------	--------------------------



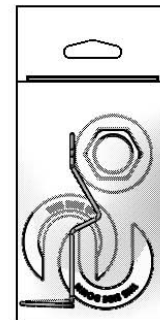
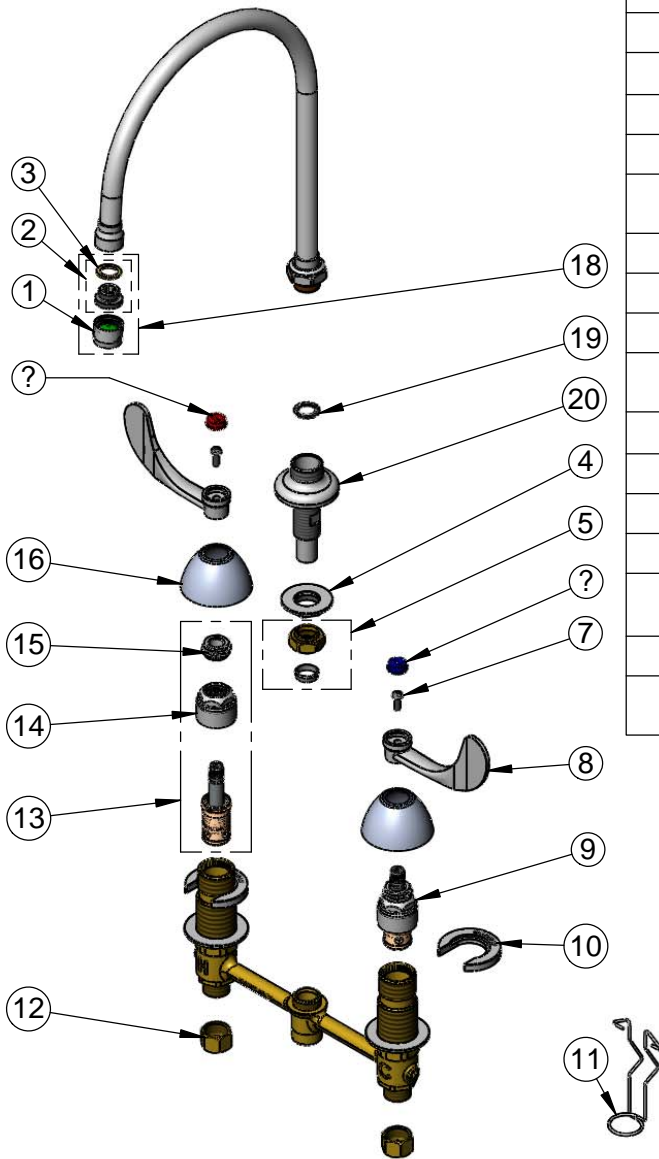
T&S BRASS AND BRONZE WORKS, INC.
 2 Saddleback Cove / P.O. Box 1088
 Travelers Rest, SC 29690

Model No.
B-2862-QT-WS

Item No.

Travelers Rest, SC: 800-476-4103 • Simi Valley, CA: 800-423-0150 • Fax: 864-834-3518 • www.tsbrass.com

ITEM NO.	SALES NO.	DESCRIPTION
1	B-0199-01-WS	1.5 GPM Aerator, 55/64-27 Female
2	044A	3/8" to Aerator Adapter
3	001043-45	Washer
4	016742-45	Center Flange Nut
5	016745-45	Compression Nut & Fitting
6	001686-45	Blue CW Index
7	000925-45	Lab Handle Screw
8	B-WH4	4" Wrist Action Handle
9	016925-40	EasyInstall 1/4 Turn LTC Eterna (Teflon)
10	016749-45	Sidebody C-Washer
11	016777-45	CWS Hanger
12	000958-20	Coupling Nut
13	016926-40	EasyInstall 1/4 Turn RTC Eterna (Teflon)
14	016743-25	CWS Eterna Bonnet
15	009002-25	Packing Nut Assembly
16	001257-40	Bell Escutcheon
17	001194-45	Red HW Index
18	B-0199-02-WS	1.5 GPM Female Aerator, Adapter & Washer
19	014200-45	Star Washer, Anti-Rotation
20	016754-40	EasyInstall CWS Swivel Center Shank



017245-40
 Installation Repair Kit
 Includes #4, (2)#10, & #11

Product Specifications:
 EasyInstall Faucet w/ 4" Wrist Action Handles, 1/4 Turn Eterna Cartridges, 8" Inlet Centers & Swivel Gooseneck w/ 1.5 GPM Aerator

Drawn JRM	Checked DMH	Approved JHB
---------------------	-----------------------	------------------------

Scale: NTS	Date: 06/21/12
----------------------	--------------------------



T&S BRASS AND BRONZE WORKS, INC.

2 Saddleback Cove / P.O. Box 1088
Travelers Rest, SC 29690

Model No.

B-2862-VF05

Item No.

Travelers Rest, SC: 800-476-4103 • Simi Valley, CA: 800-423-0150 • Fax: 864-834-3518 • www.tsbrass.com

This Space for Architect/Engineer Approval

Job Name _____ Date _____

Model Specified _____ Quantity _____

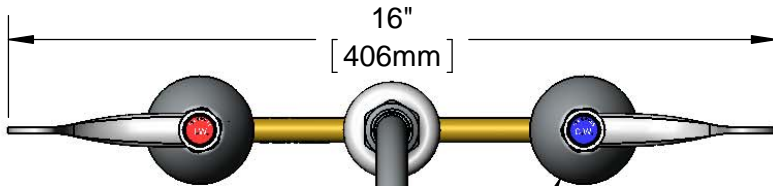
Customer/Wholesaler _____

Contractor _____

Architect/Engineer _____



ADA Compliant

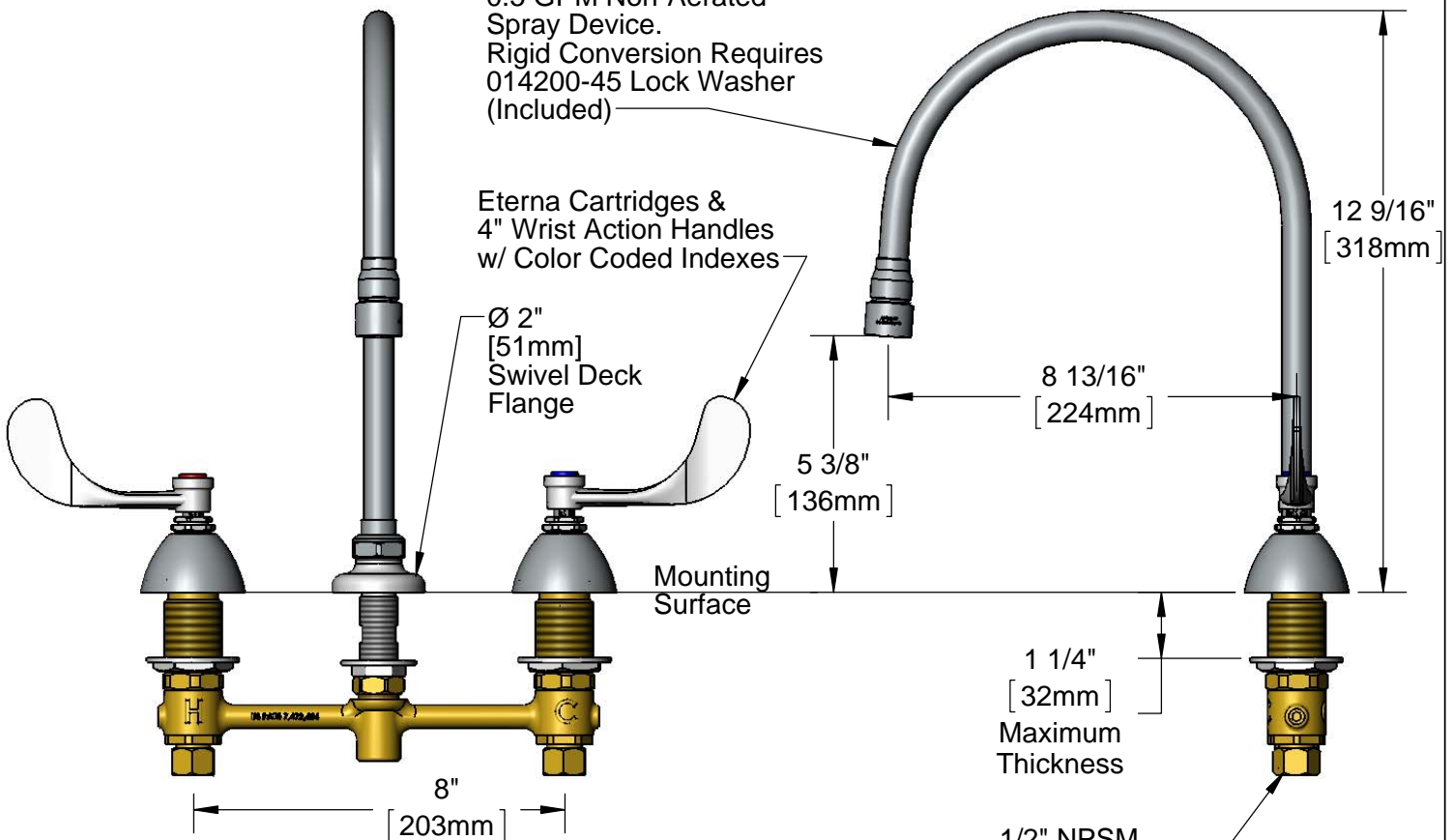


Ø 2 1/4"
[57mm]
Escutcheons

Swivel Gooseneck
w/ Vandal Resistant
0.5 GPM Non-Aerated
Spray Device.
Rigid Conversion Requires
014200-45 Lock Washer
(Included)

Eterna Cartridges &
4" Wrist Action Handles
w/ Color Coded Indexes

Ø 2"
[51mm]
Swivel Deck
Flange



Rough-In Requirement:
Ø 1" [25mm] for Center Shank
Ø 1 1/2" [38mm] for Hot/Cold Side

Product Specifications:
EasyInstall Faucet w/ 4" Wrist Action Handles, Eterna Cartridges,
8" Inlet Centers & Swivel Gooseneck w/ Vandal Resistant 0.5 GPM
Non-Aerated Spray Device

Drawn KJG	Checked DMH	Approved JHB
Scale: 1:4		Date: 10/04/12



T&S BRASS AND BRONZE WORKS, INC.

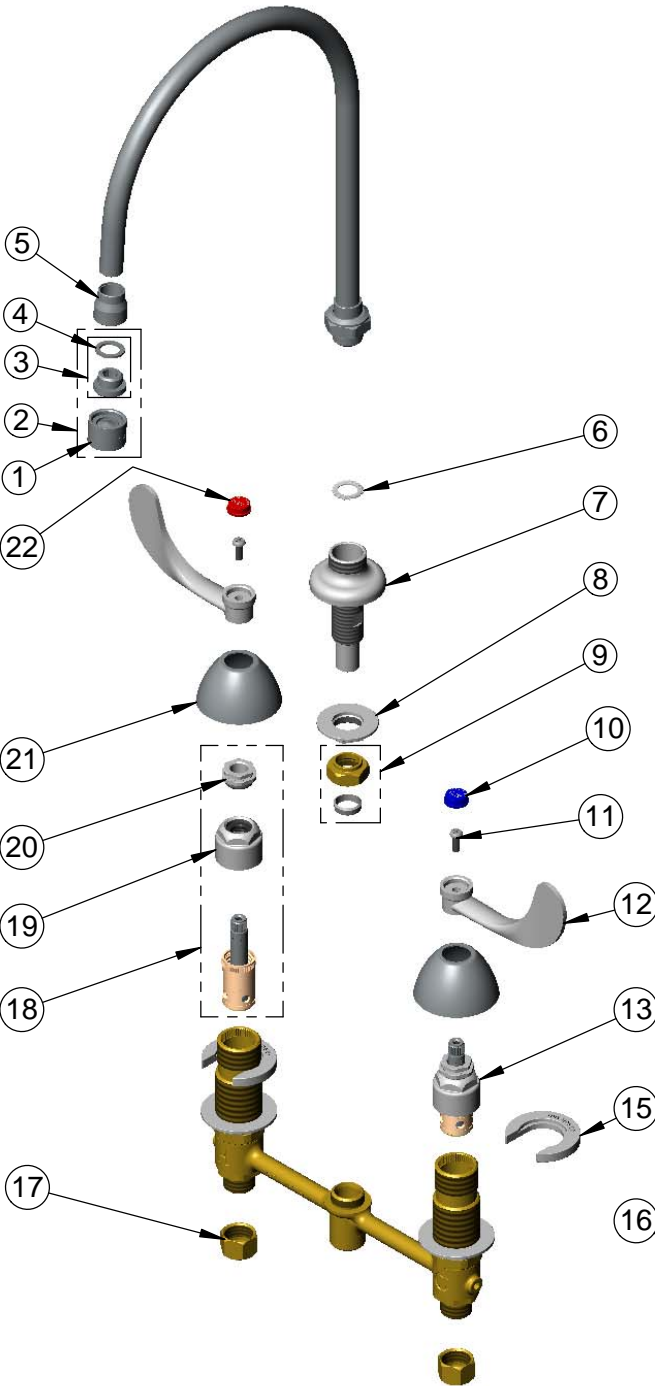
2 Saddleback Cove / P.O. Box 1088
Travelers Rest, SC 29690

Model No.

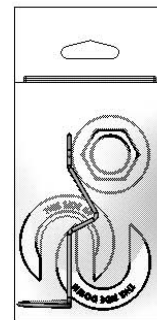
B-2862-VF05

Item No.

Travelers Rest, SC: 800-476-4103 • Simi Valley, CA: 800-423-0150 • Fax: 864-834-3518 • www.tsbrass.com



ITEM NO.	SALES NO.	DESCRIPTION
1	B-0199-06-N05	VR 0.5 GPM Non-Aerated Spray Device, 55/64"-27UN Female
2	B-0199-07-N05	VR 0.5 GPM Non-Aerated Spray Device, 3/8" NPSM Male
3	044A	3/8" to Aerator Adapter
4	001043-45	Washer
5	000557-25	Adapter Bell, 5/8-27 X 3/8
6	014200-45	Star Washer, Anti-Rotation
7	016754-40	EasyInstall CWS Swivel Center Shank
8	016742-45	Center Flange Nut
9	016745-45	Compression Nut & Fitting
10	001686-45	Blue CW Index
11	000925-45	Lab Handle Screw
12	B-WH4	4" Wrist Action Handle
13	016752-40	EasyInstall CWS LTC Eterna (Teflon)
14	015425-45	Vandal Resistant Key
15	016749-45	Sidebody C-Washer
16	016777-45	CWS Hanger
17	000958-20	Coupling Nut
18	016753-40	EasyInstall CWS RTC Eterna (Teflon)
19	016743-25	CWS Eterna Bonnet
20	009002-25	Packing Nut
21	001257-40	Bell Escutcheon
22	001194-45	Red HW Index



017245-40
Installation Repair Kit
Includes #8, (2) #15, & #16

Product Specifications:

EasyInstall Faucet w/ 4" Wrist Action Handles, Eterna Cartridges, 8" Inlet Centers & Swivel Gooseneck w/ Vandal Resistant 0.5 GPM Non-Aerated Spray Device

Drawn

KJG

Checked

DMH

Approved

JHB

Scale:

NTS

Date:

10/04/12



T&S BRASS AND BRONZE WORKS, INC.

2 Saddleback Cove / P.O. Box 1088
Travelers Rest, SC 29690

Model No.

B-2862-VF22

Item No.

Travelers Rest, SC: 800-476-4103 • Simi Valley, CA: 800-423-0150 • Fax: 864-834-3518 • www.tsbrass.com

This Space for Architect/Engineer Approval

Job Name _____ Date _____

Model Specified _____ Quantity _____

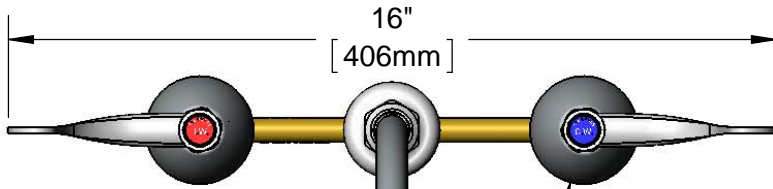
Customer/Wholesaler _____

Contractor _____

Architect/Engineer _____



ADA Compliant

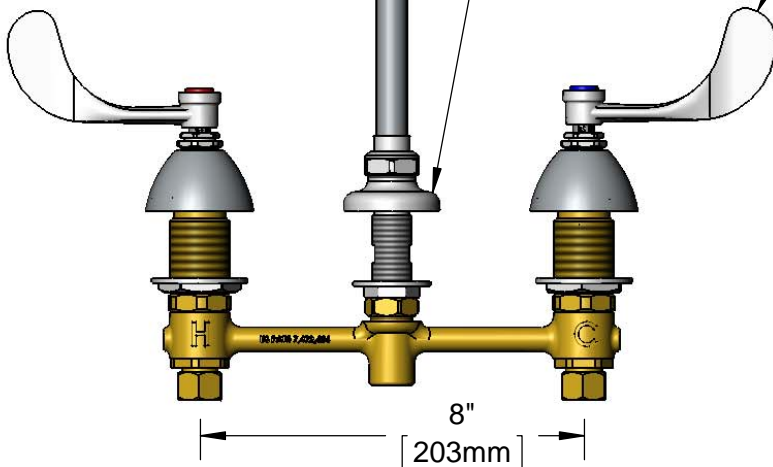
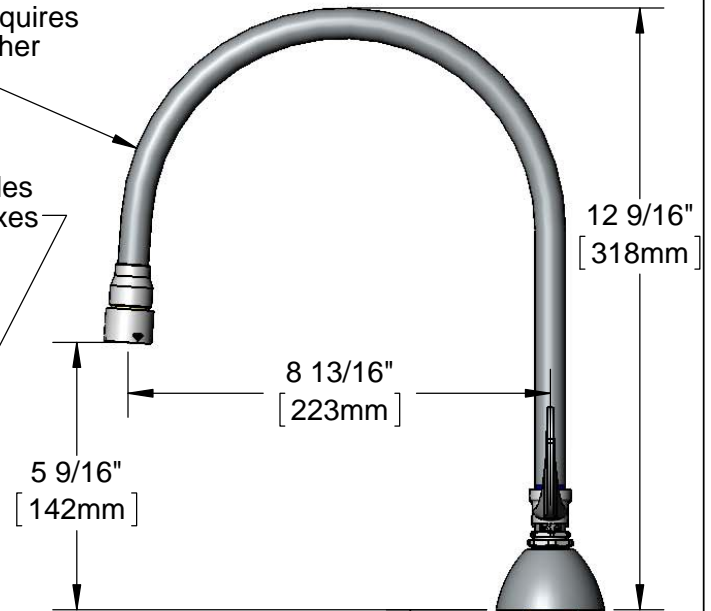


Ø 2 1/4"
[57mm]
Escutcheons

Swivel Gooseneck
w/ Vandal Resistant
2.2 GPM Aerator.
Rigid Conversion Requires
014200-45 lock Washer
(Included)

Eterna Cartridges &
4" Wrist Action Handles
w/ Color Coded Indexes

Ø 2"
[51mm]
Swivel Deck
Flange



1 1/4"
[32mm]
Maximum
Thickness

1/2" NPSM
Coupling Inlets

Rough-In Requirement:
Ø 1" [25mm] for Center Shank
Ø 1 1/2" [38mm] for Hot/Cold Side

Product Specifications:
EasyInstall Faucet w/ 4" Wrist Action Handles, Eterna Cartridges,
8" Inlet Centers & Swivel Gooseneck w/ Vandal Resistant
2.2 GPM Aerator

Drawn KJG	Checked DMH	Approved JHB
Scale: 1:4		Date: 10/04/12



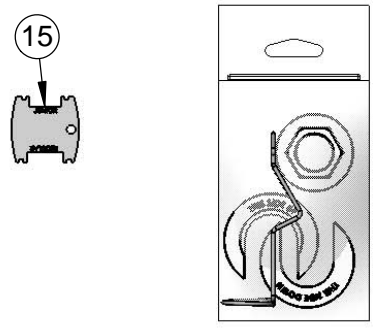
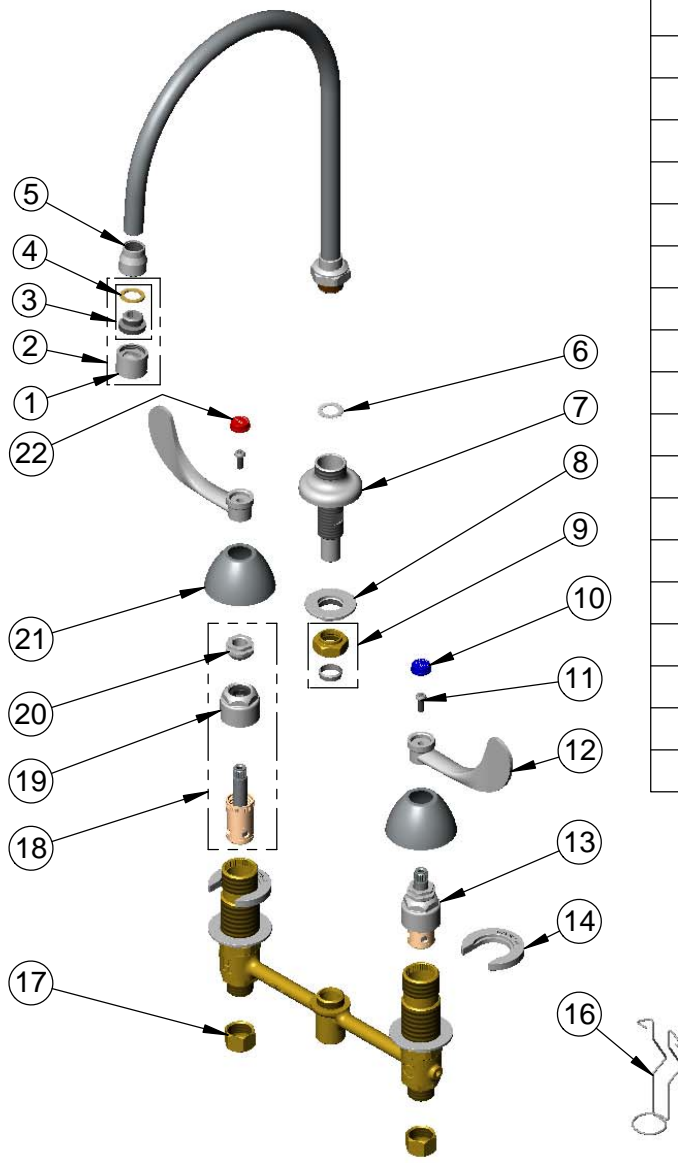
T&S BRASS AND BRONZE WORKS, INC.
 2 Saddleback Cove / P.O. Box 1088
 Travelers Rest, SC 29690

Model No.
B-2862-VF22

Item No.

Travelers Rest, SC: 800-476-4103 • Simi Valley, CA: 800-423-0150 • Fax: 864-834-3518 • www.tsbrass.com

ITEM NO.	SALES NO.	DESCRIPTION
1	B-0199-06	VR 2.2 GPM Aerator, 55/64"-27UN Female
2	B-0199-07	VR 2.2 GPM Aerator, 3/8" NPSM Male
3	044A	3/8" to Aerator Adapter
4	001043-45	Washer
5	000557-25	Adapter Bell, 5/8-27 X 3/8
6	014200-45	Star Washer, Anti-Rotation
7	016754-40	EasyInstall CWS Swivel Center Shank
8	016742-45	Center Flange Nut
9	016745-45	Compression Nut & Fitting
10	001686-45	Blue CW Index
11	000925-45	Lab Handle Screw
12	B-WH4	4" Wrist Action Handle
13	016752-40	EasyInstall CWS LTC Eterna (Teflon)
14	016749-45	Sidebody C-Washer
15	015425-45	Vandal Resistant Key
16	016777-45	CWS Hanger
17	000958-20	Coupling Nut
18	016753-40	EasyInstall CWS RTC Eterna (Teflon)
19	016743-25	CWS Eterna Bonnet
20	009002-25	Packing Nut
21	001257-40	Bell Escutcheon
22	001194-45	Red HW Index



017245-40
 Installation Repair Kit
 Includes #8, (2) #14, & #16

Product Specifications:
 EasyInstall Faucet w/ 4" Wrist Action Handles, Eterna Cartridges,
 8" Inlet Centers & Swivel Gooseneck w/ Vandal Resistant
 2.2 GPM Aerator

Drawn KJG	Checked DMH	Approved JHB
Scale: NTS		Date: 10/04/12



T&S BRASS AND BRONZE WORKS, INC.

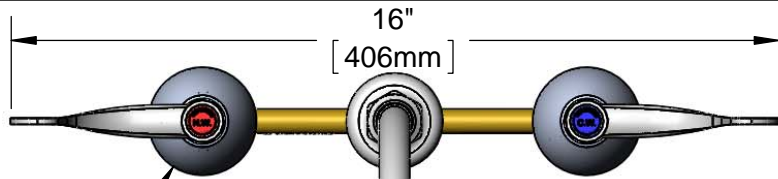
2 Saddleback Cove / P.O. Box 1088
Travelers Rest, SC 29690

Model No.

B-2862-WS

Item No.

Travelers Rest, SC: 800-476-4103 • Simi Valley, CA: 800-423-0150 • Fax: 864-834-3518 • www.tsbrass.com



Ø 2-1/4" [57mm]
Escutcheons

This Space for Architect/Engineer Approval

Job Name _____ Date _____

Model Specified _____ Quantity _____

Customer/Wholesaler _____

Contractor _____

Architect/Engineer _____



ADA Compliant

Swivel Gooseneck
w/ WaterSense
1.5 GPM Aerator
(Optional Swivel/Rigid
Washer Included)

Eterna Cartridges &
4" Wrist Action Handles
w/ Color Coded Indexes

Ø 2" [51mm]
Swivel Deck
Flange

Mounting
Surface

5 5/8" [142mm]

12 9/16" [318mm]

8 13/16" [223mm]

1-1/4" [32mm]
Max Thickness

1/2" NPSM
Coupling Nuts

8" [203mm]

Rough-In Requirement:
Ø 1" [25mm] for Center Shank
Ø 1-1/2" [38mm] for Hot/Cold Side

Product Specifications:
EasyInstall Faucet w/ 4" Wrist Action Handles, Eterna Cartridges,
8" Inlet Centers & Swivel Gooseneck w/ 1.5 GPM Aerator

Drawn JRM	Checked DMH	Approved JHB
Scale: 1:4		Date: 06/21/12



T&S BRASS AND BRONZE WORKS, INC.

2 Saddleback Cove / P.O. Box 1088
Travelers Rest, SC 29690

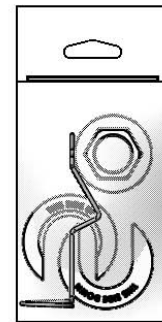
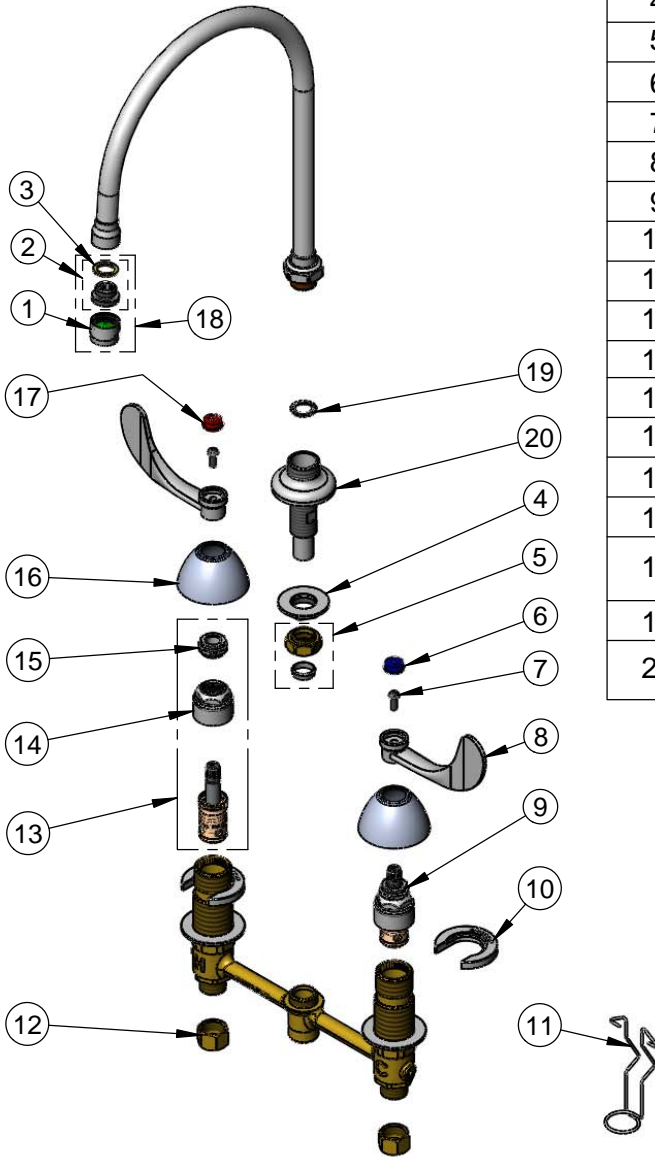
Model No.

B-2862-WS

Item No.

Travelers Rest, SC: 800-476-4103 • Simi Valley, CA: 800-423-0150 • Fax: 864-834-3518 • www.tsbrass.com

ITEM NO.	SALES NO.	DESCRIPTION
1	B-0199-01-WS	1.5 GPM Aerator, 55/64-27 Female
2	044A	3/8" to Aerator Adapter
3	001043-45	Washer
4	016742-45	Center Flange Nut
5	016745-45	Compression Nut & Fitting
6	001686-45	Blue CW Index
7	000925-45	Lab Handle Screw
8	B-WH4	4" Wrist Action Handle
9	016752-40	EZ-Install LTC Eterna (Teflon)
10	016749-45	Sidebody C-Washer
11	016777-45	CWS Hanger
12	000958-20	Coupling Nut
13	016753-40	EZ-Install RTC Eterna (Teflon)
14	016743-25	CWS Eterna Bonnet
15	009002-25	Packing Nut Assembly
16	001257-40	Bell Escutcheon
17	001194-45	Red HW Index
18	B-0199-02-WS	1.5 GPM Female Aerator, Adapter & Washer
19	014200-45	Star Washer, Anti-Rotation
20	016754-40	EasyInstall CWS Swivel Center Shank



017245-40
Installation Repair Kit
Includes #4, (2)#10, & #11

Product Specifications:

EasyInstall Faucet w/ 4" Wrist Action Handles, Eterna Cartridges, 8" Inlet Centers & Swivel Gooseneck w/ 1.5 GPM Aerator

Drawn

JRM

Checked

DMH

Approved

JHB

Scale:

NTS

Date:

06/21/12