

T&S BRASS AND BRONZE WORKS, INC.

2 Saddleback Cove / P.O. Box 1088
Travelers Rest, SC 29690

Model No.

B-0865-04

Item No.

Travelers Rest, SC: 800-476-4103 • Simi Valley, CA: 800-423-0150 • Fax: 864-834-3518 • www.tsbrass.com



ADA Compliant

This Space for Architect/Engineer Approval

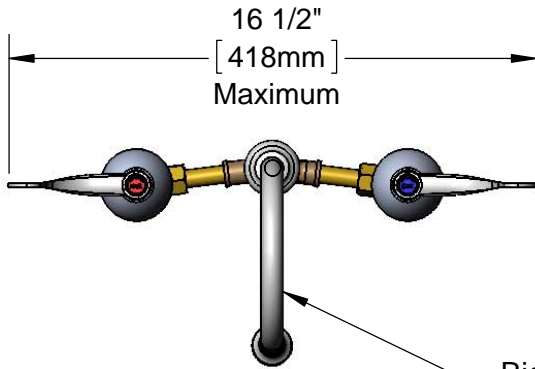
Job Name _____ Date _____

Model Specified _____ Quantity _____

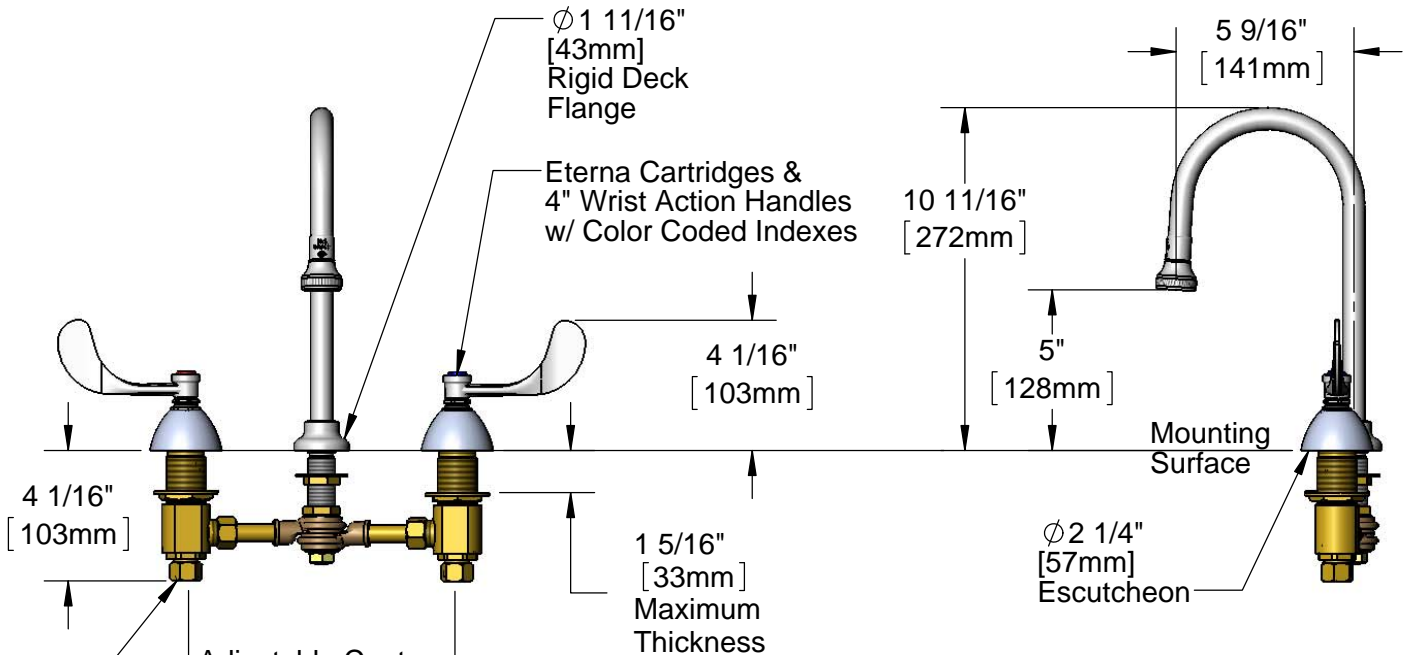
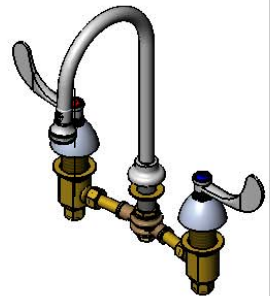
Customer/Wholesaler _____

Contractor _____

Architect/Engineer _____



Rigid Gooseneck w/
B-0103-01
Rosespray Outlet



Adjustable Centers
(See Chart Below)

1/2" NPT Male Inlets
w/ Coupling Nuts

Hot & Cold Center Sections Can be at Angle	if "Y" is	Then Faucet Will Fit "X" with Standard 1/4" NPT Cross Pipes Furnished
	1/2"	8"
	1"	7 3/4"
	1 1/2"	7 3/8"
	2"	7"

Rough-In Requirement:
Center Shank: $\phi 1"$ [$\phi 25\text{mm}$] Mounting Hole
Hot/Cold Bodies: $\phi 1 1/2"$ [$\phi 38\text{mm}$] Mounting Holes

Product Specifications:
8" Deck Mount Mixing Faucet, Eterna Cartridges, 4" Wrist Action Handles,
Rigid Gooseneck w/ Rosespray Outlet & 1/2" NPT Male Inlets w/ Coupling Nuts

Product Compliance:
ASME A112.18.1 / CSA B125.1
NSF 61 - Section 9
NSF 372 (Low Lead Content)
ANSI A117.1 (ADA)



T&S BRASS AND BRONZE WORKS, INC.

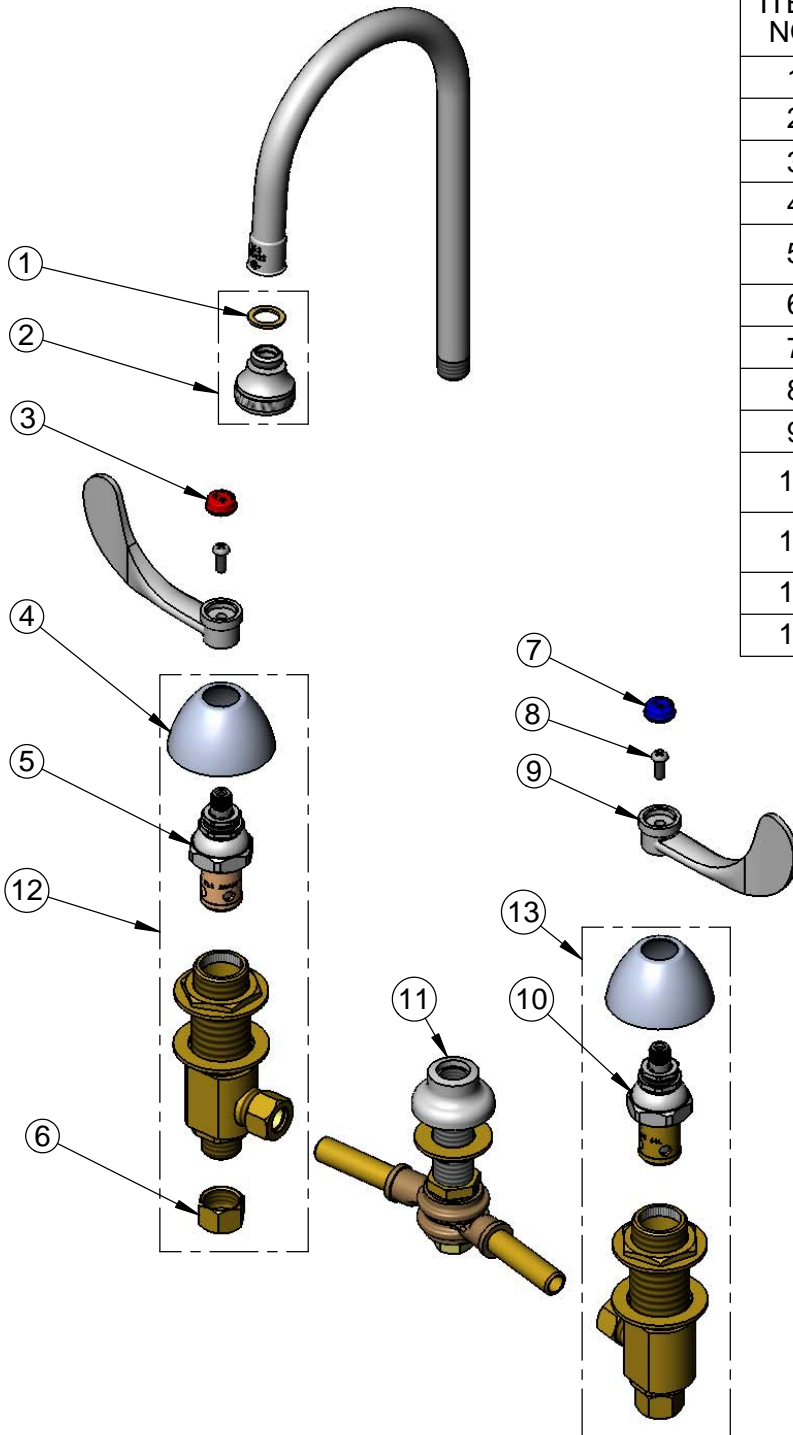
2 Saddleback Cove / P.O. Box 1088
Travelers Rest, SC 29690

Model No.

B-0865-04

Item No.

Travelers Rest, SC: 800-476-4103 • Simi Valley, CA: 800-423-0150 • Fax: 864-834-3518 • www.tsbrass.com



ITEM NO.	SALES NO.	DESCRIPTION
1	001043-45	Washer
2	B-0103	Rosespray Outlet
3	001194-45	Red Index-HW
4	001257-40	Bell Escutcheon
5	006478-40	Eterna Cartridge, RTC (Teflon) w/ Escutcheon Bonnet
6	000958-20	Coupling Nut
7	001686-45	Blue Index-CW
8	000925-45	Lab Handle Screw
9	B-WH4	4" Wrist Action Handle
10	006477-40	Eterna Cartridge, LTC (Teflon) w/ Escutcheon Bonnet
11	005973-40	8" Swivel Yoke w/ Rigid Flange Outlet
12	162A	B-0850 Side Body - Hot
13	161A	B-0850 Side Body - Cold

Product Specifications:

8" Deck Mount Mixing Faucet, Eterna Cartridges, 4" Wrist Action Handles, Rigid Gooseneck w/ Rosespray Outlet & 1/2" NPT Male Inlets w/ Coupling Nuts

Product Compliance:

ASME A112.18.1 / CSA B125.1
NSF 61 - Section 9
NSF 372 (Low Lead Content)
ANSI A117.1 (ADA)



T&S BRASS AND BRONZE WORKS, INC.

2 SADDLEBACK COVE / P.O. BOX 1088 / TRAVELERS REST, SC 29690

PHONE 800-476-4103

FAX 864-834-3518



REG.#A2601
ISO #9002

Model No.

B-0865

Item No.:

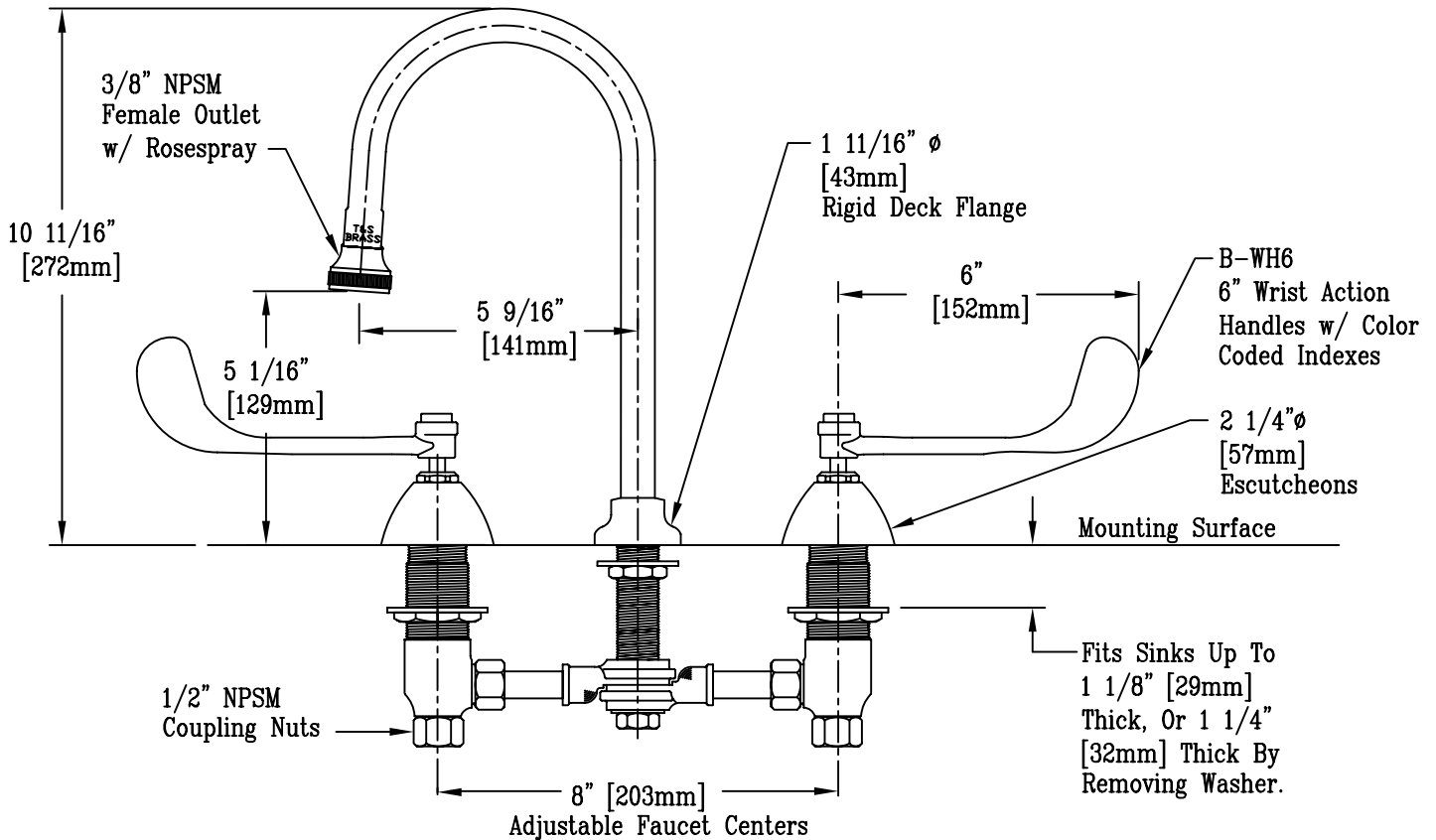
Job Name:

Architect/Engineer Approval:

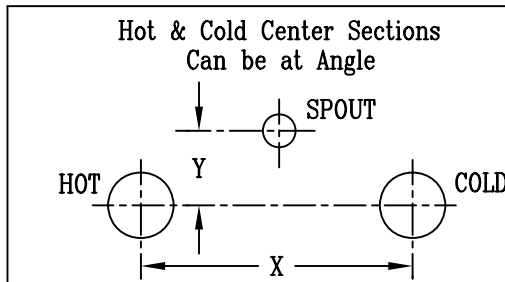
Notes:



ADA Compliant



Note: Rough-in Required:
 ϕ 7/8 for Center Shank
 ϕ 1 1/4 for Hot/Cold Side Bodies

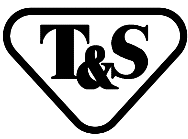


IF "Y" IS	Then Faucet Will Fit "X" with Standard 1/4" NPT Cross Pipes Furnished
1/2"	8"
1"	7 3/4"
1 1/2"	7 3/8"
2"	7"

Product Description:

Deck Mounted Mixing Faucet, 6" Wrist Action Handles, 8" Adjustable Inlet Centers, Rigid Gooseneck w/ Rosespray Outlet

Drawn:	Checked:	Scale:
BHR	JRM	1:4
Approved:	Date:	
JHB	8/17/07	



T&S BRASS AND BRONZE WORKS, INC.

2 SADDLEBACK COVE / P.O. BOX 1088 / TRAVELERS REST, SC 29690

PHONE 800-476-4103

FAX 864-834-3518



REG.#A2601
ISO #9002

Model No.

B-0865-04L

Item No.:

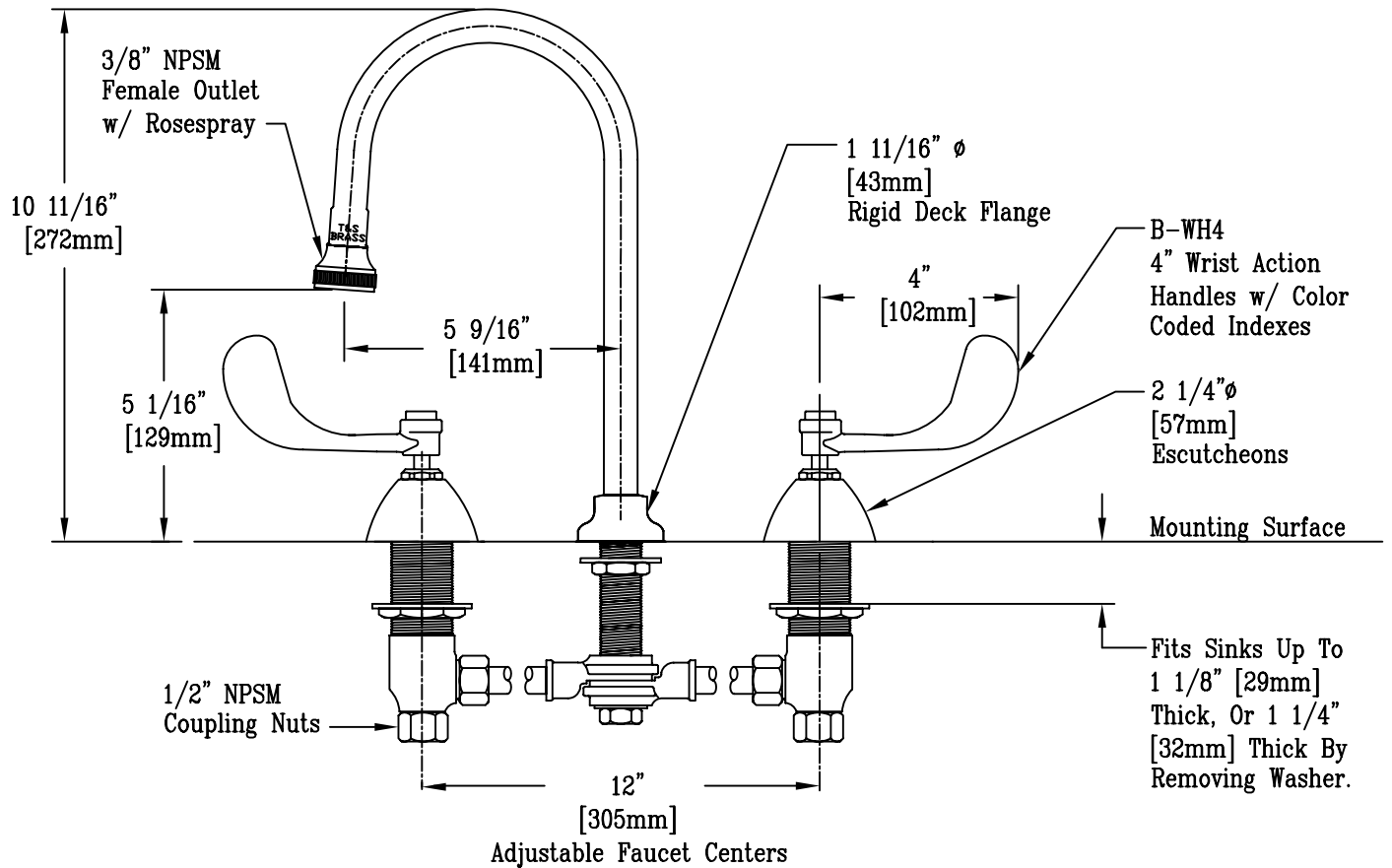
Job Name:

Architect/Engineer Approval:

Notes:



ADA Compliant



Note: Rough-in Required:
ø7/8 for Center Shank
ø1 1/4 for Hot/Cold Side Bodies

Hot & Cold Center Sections Can be at Angle	IF "Y" IS	Then Faucet Will Fit "X" with Standard 1/4" NPT Cross Pipes Furnished
	1/2"	12"
	1"	11 3/4"
	1 1/2"	11 3/8"
	2"	11"

Product Description:

12" c/c Deck Mounted Mixing Faucet,
4" Wrist-Action Handles, Adjustable Inlet Centers,
Rigid Gooseneck w/ Rosespray Outlet

Drawn:

BHR

Checked

JRM

Scale:

1:4

Approved

JHB

Date:

8/17/07



T&S BRASS AND BRONZE WORKS, INC.

2 SADDLEBACK COVE / P.O. BOX 1088 / TRAVELERS REST, SC 29690

PHONE 800-476-4103

FAX 864-834-3518



REG.#A2601
ISO #9002

Model No.

B-0865-04-SJ

Item No.:

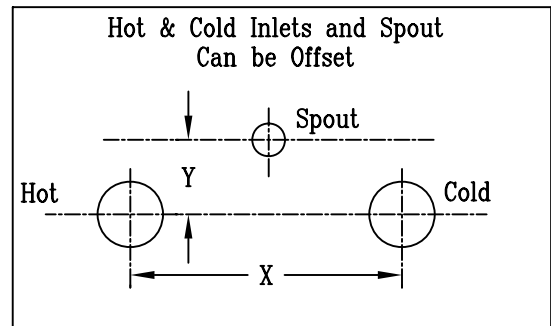
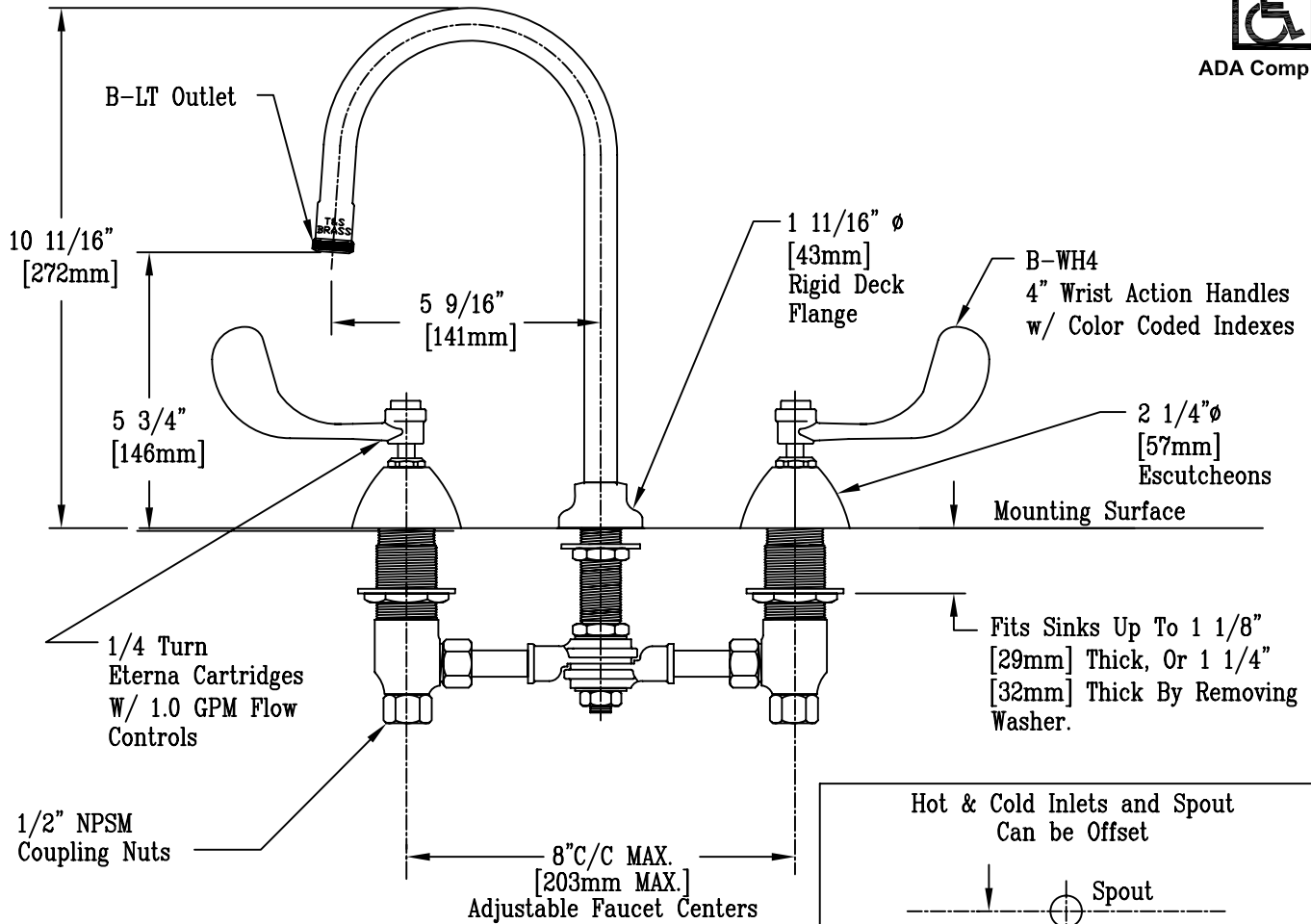
Job Name:

Architect/Engineer Approval:

Notes:



ADA Compliant



If "Y" is	Then Faucet will Fit "X" w/ Standard 1/4" NPT Cross Pipes Furnished
1/2"	8"
1"	7 3/4"
1 1/2"	7 3/8"
2"	7"

Note: Rough-in Required:

$\phi 7/8$ for Center Shank

$\phi 1 \frac{1}{4}$ for Hot/Cold Side Bodies

Product Description:

Deck Mounted Mixing Faucet w/ 4" Wrist Action Handles, Adjustable Inlet Centers, Rigid GN, B-LT Stream Regulator, & 1/4 Turn 1.0 gpm Eternas

Drawn:

BHR

Checked

JRM

Scale:

1:4

Approved

JHB

Date:

8/17/07



T&S BRASS AND BRONZE WORKS, INC.

2 SADDLEBACK COVE / P.O. BOX 1088 / TRAVELERS REST, SC 29690

PHONE 800-476-4103

FAX 864-834-3518



REG.#A2601
ISO #9002

Model No.

B-0866

Item No.:

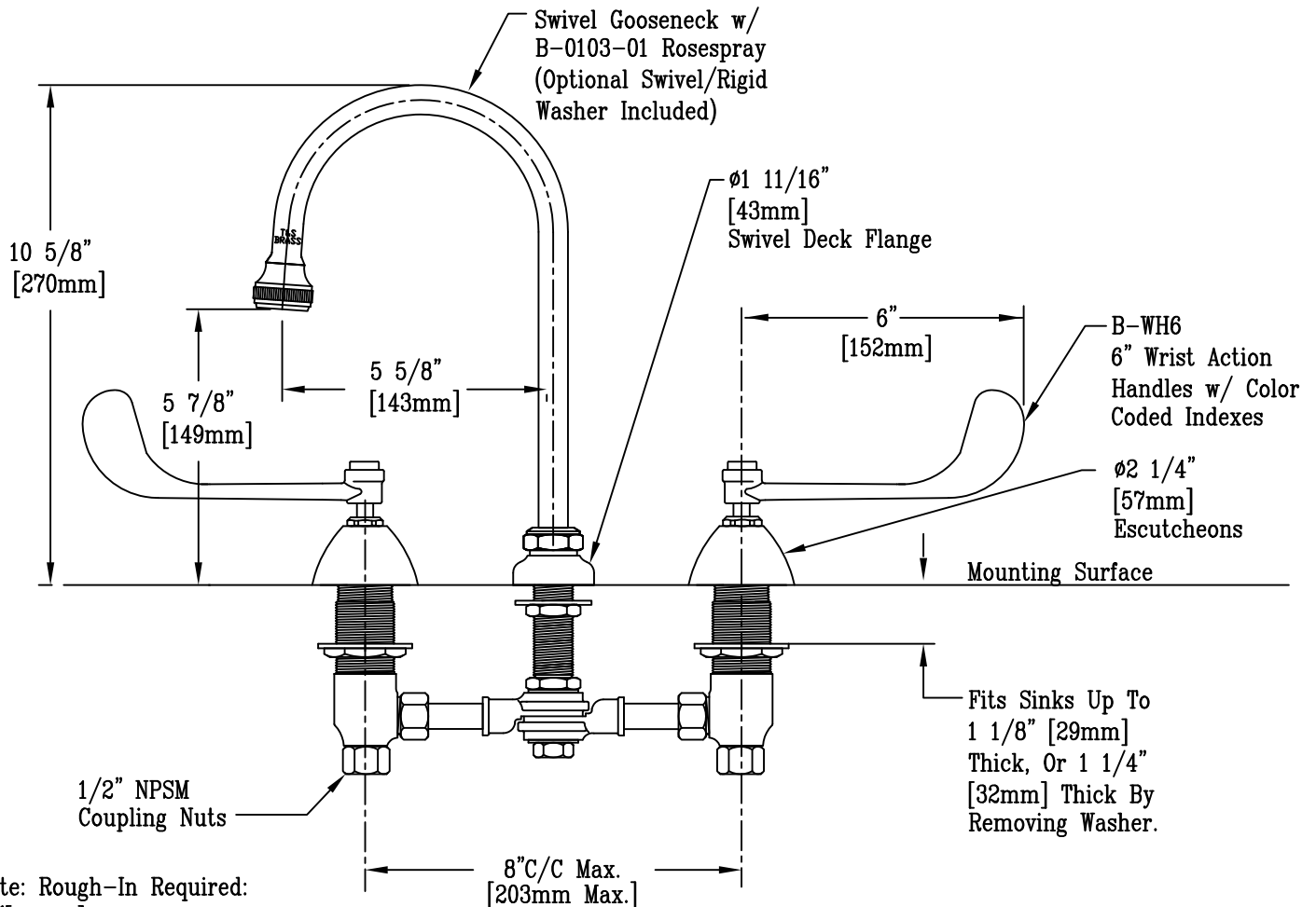
Job Name:

Architect/Engineer Approval:

Notes:



ADA Compliant



Note: Rough-In Required:

Ø1" [25mm] For Center Shank

Ø1 1/2" [38mm] For Hot/Cold Side

Bodies [1-1/4" [32mm] Minimum]

Hot & Cold Center Sections Can be at Angle	IF "Y" IS	Then Faucet Will Fit "X" with Standard 1/4" NPT Cross Pipes Furnished
	1/2"	8"
	1"	7 3/4"
	1 1/2"	7 3/8"
	2"	7"

Product Description:

Deck Mounted Mixing Faucet w/ 6" Wrist Action Handles, Adjustable Inlet Centers and Swivel Gooseneck w/ Rosespray Outlet

Drawn:

JRM

Approved

JHB

Checked

DMH

Scale:

1:4

Date:

07/16/10



T&S BRASS AND BRONZE WORKS, INC.

2 Saddleback Cove / P.O. Box 1088
Travelers Rest, SC 29690

Model No.

B-0866-04

Item No.

Travelers Rest, SC: 800-476-4103 • Simi Valley, CA: 800-423-0150 • Fax: 864-834-3518 • www.tsbrass.com



ADA Compliant

This Space for Architect/Engineer Approval

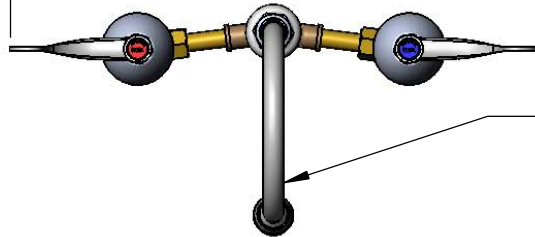
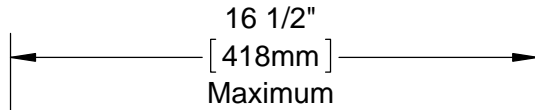
Job Name _____ Date _____

Model Specified _____ Quantity _____

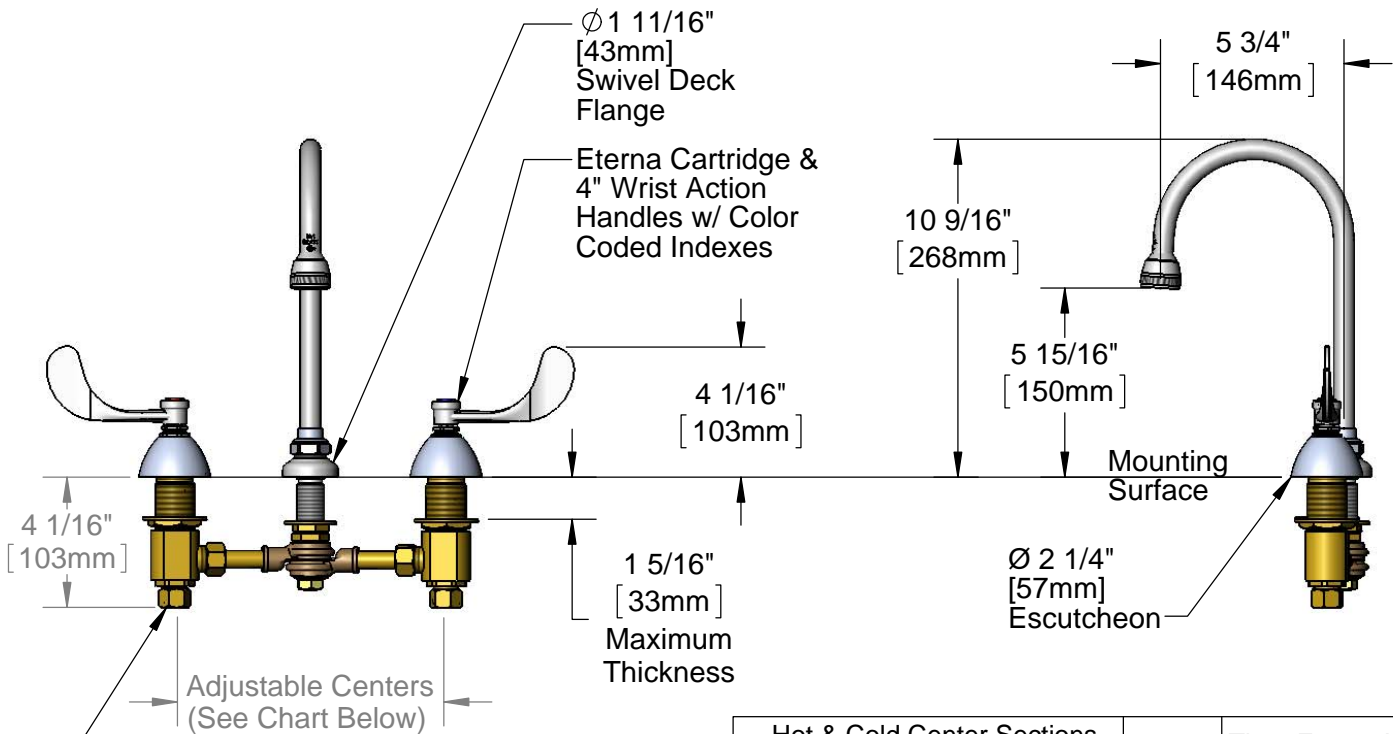
Customer/Wholesaler _____

Contractor _____

Architect/Engineer _____

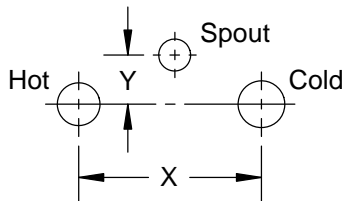


Swivel Gooseneck w/
B-0103-01
Rosespray Outlet.
Rigid Conversion Requires
014200-45 Lock Washer
(Included)



Rough-In Requirement:
Center Shank: $\varnothing 1$ " [25mm] Mounting Hole
Hot/Cold Bodies: $\varnothing 1 \frac{1}{2}$ " [38mm] Mounting Holes

Hot & Cold Center Sections
Can be at Angle



if "Y" is Then Faucet Will Fit "X" with Standard 1/4" NPT Cross Pipes Furnished

1/2"	8"
1"	7 3/4"
1 1/2"	7 3/8"
2"	7"

Product Specifications:

8" Deck Mount Mixing Faucet, Eterna Cartridges, 4" Wrist Action Handles, Swivel Gooseneck w/ Rosespray Outlet & 1/2" NPT Male Inlets w/ Coupling Nuts

Product Compliance:

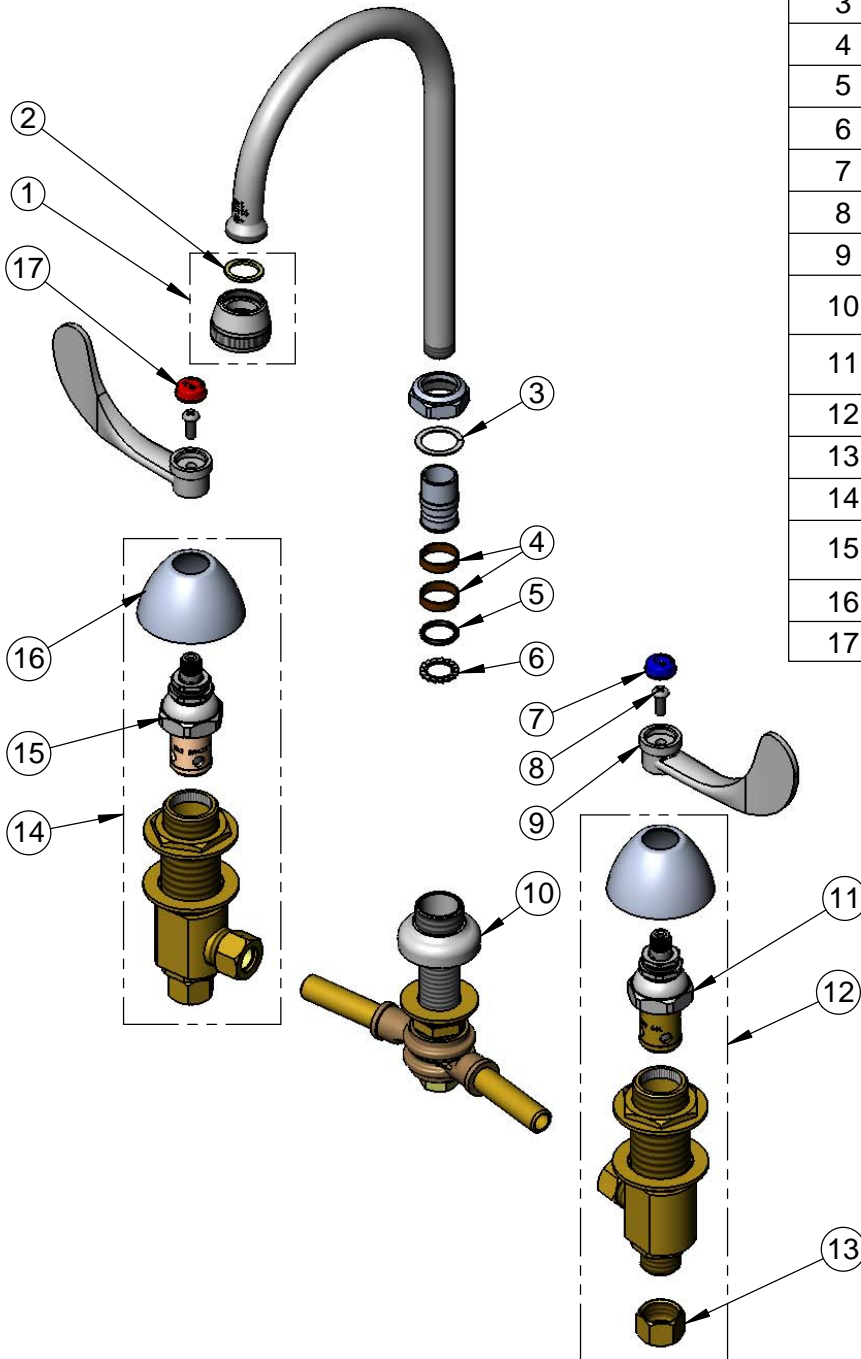
ASME A112.18.1 / CSA B125.1
NSF 61 - Section 9
NSF 372 (Low Lead Content)
ANSI A117.1 (ADA)



T&S BRASS AND BRONZE WORKS, INC.
 2 Saddleback Cove / P.O. Box 1088
 Travelers Rest, SC 29690

Model No.
B-0866-04
 Item No.

Travelers Rest, SC: 800-476-4103 • Simi Valley, CA: 800-423-0150 • Fax: 864-834-3518 • www.tsbrass.com



ITEM NO.	SALES NO.	DESCRIPTION
1	B-0103-01	Rosespray Outlet
2	001048-45	Nozzle Tip Washer
3	009538-45	Swivel Washer
4	011429-45	Swivel Sleeves (2)
5	001074-45	O-Ring
6	014200-45	Star Washer, Anti-Rotation
7	001686-45	Blue Index - CW
8	000925-45	Lab Handle Screw
9	B-WH4	4" Wrist Action Handle
10	006215-40	8" Swivel Gooseneck Swivel Yoke
11	006477-40	Eterna Cartridge, LTC (Teflon) w/ Escutcheon Bonnet
12	161A	B-0850 Side Body - Cold
13	000958-20	Coupling Nut
14	162A	B-0850 Side Body - Hot
15	006478-40	Eterna Cartridge, RTC (Teflon) w/ Escutcheon Bonnet
16	001257-40	Bell Escutcheon
17	001194-45	Red Index - HW

Product Specifications:
 8" Deck Mount Mixing Faucet, Eterna Cartridges, 4" Wrist Action Handles, Swivel Gooseneck w/ Rosespray Outlet & 1/2" NPT Male Inlets w/ Coupling Nuts

Product Compliance:
 ASME A112.18.1 / CSA B125.1
 NSF 61 - Section 9
 NSF 372 (Low Lead Content)
 ANSI A117.1 (ADA)



T&S BRASS AND BRONZE WORKS, INC.

2 Saddleback Cove / P.O. Box 1088
Travelers Rest, SC 29690

Model No.

B-0866-04L

Item No.

Travelers Rest, SC: 800-476-4103 • Simi Valley, CA: 800-423-0150 • Fax: 864-834-3518 • www.tsbrass.com

This Space for Architect/Engineer Approval

Job Name _____ Date _____

Model Specified _____ Quantity _____

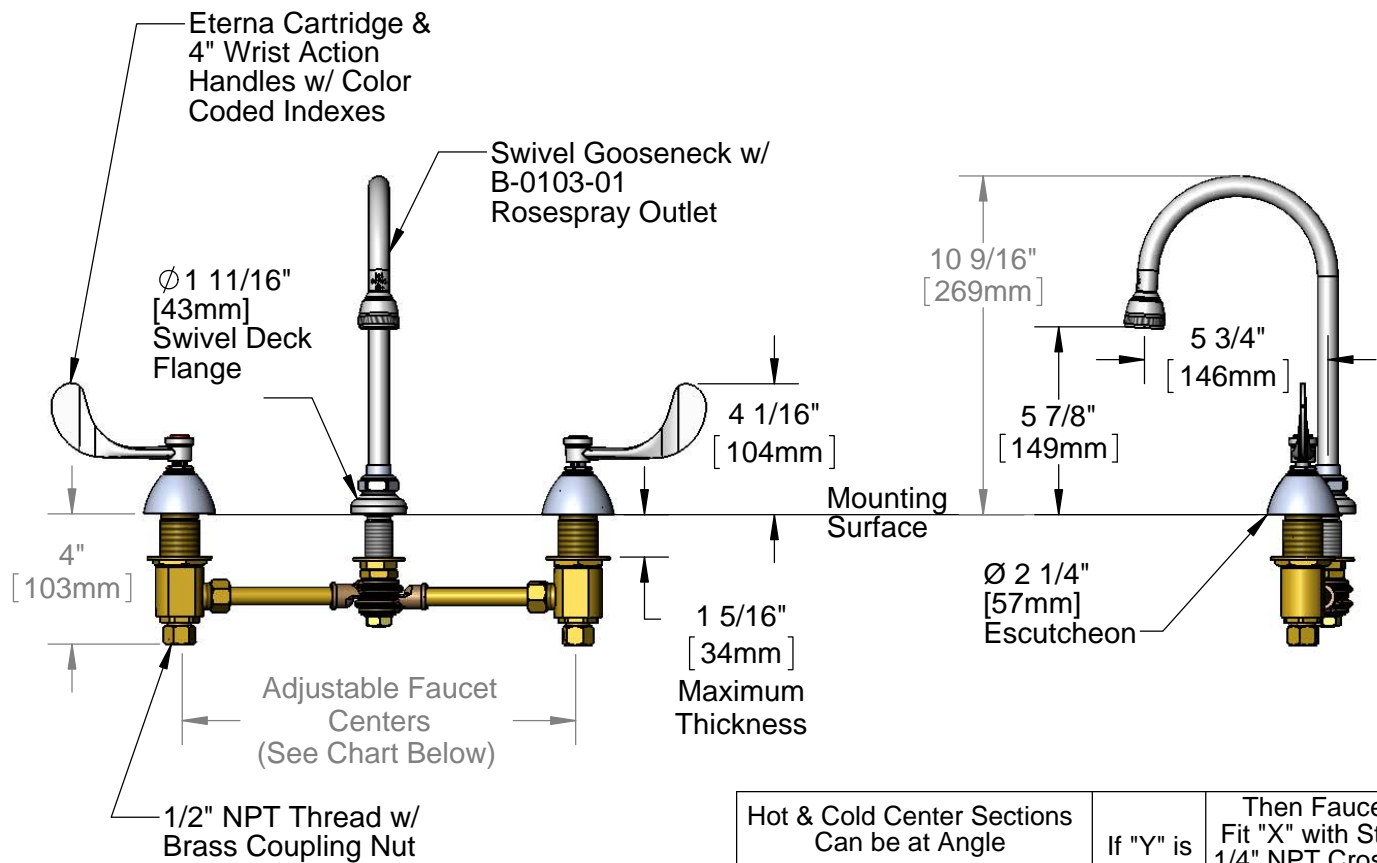
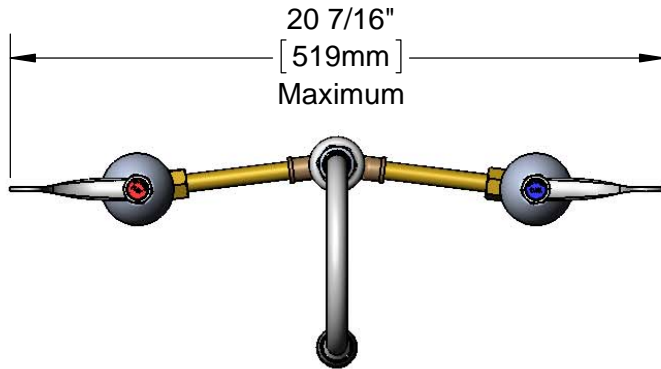
Customer/Wholesaler _____

Contractor _____

Architect/Engineer _____

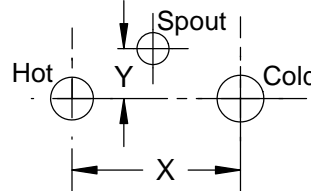


ADA Compliant



Rough-In Requirements:
Center Shank: Ø 1" [25mm] Mounting Hole
Hot/Cold Bodies: Ø 1 1/2" [38mm] Mounting Holes

Hot & Cold Center Sections Can be at Angle



If "Y" is	Then Faucet Will Fit "X" with Standard 1/4" NPT Cross Pipes Furnished
1/2"	12"
1"	11 3/4"
1 1/2"	11 3/8"
2"	11"

Product Specifications:
8" Deck Mount Mixing Faucet, Eterna Cartridges, 4" Wrist Action Handles, Swivel Gooseneck w/ Rosespray Outlet & 1/2" NPT Male Inlets w/ Brass Coupling Nuts

Product Compliance:
ASME A112.18.1 / CSA B125.1
NSF 61 - Section 9
NSF 372 (Low Lead Content)
ANSI A117.1 (ADA)



T&S BRASS AND BRONZE WORKS, INC.

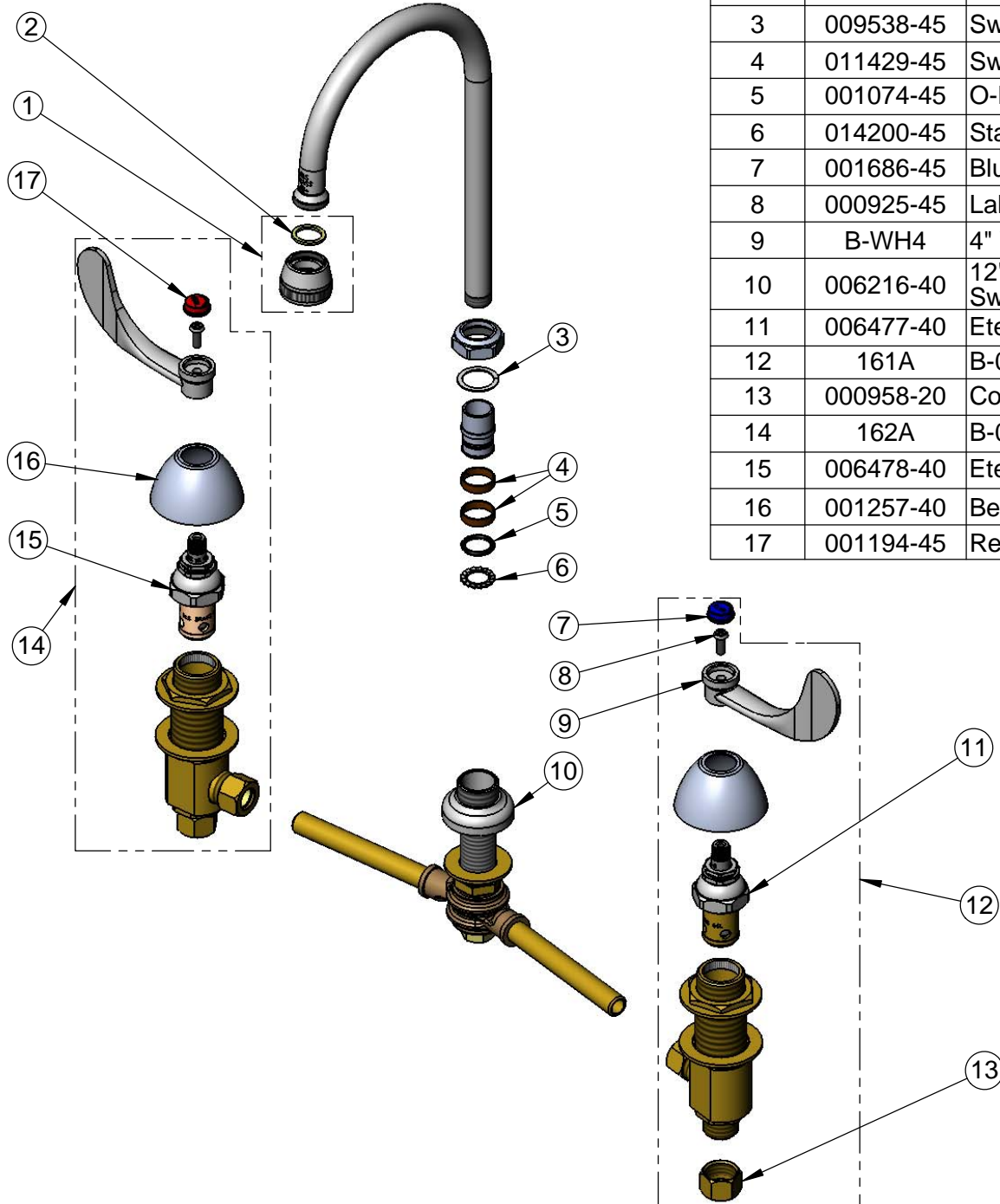
2 Saddleback Cove / P.O. Box 1088
Travelers Rest, SC 29690

Model No.

B-0866-04L

Item No.

Travelers Rest, SC: 800-476-4103 • Simi Valley, CA: 800-423-0150 • Fax: 864-834-3518 • www.tsbrass.com



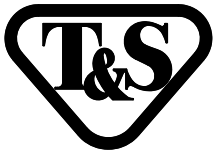
ITEM NO.	SALES NO.	DESCRIPTION
1	B-0103-01	Rosespray Outlet w/ Female Threads
2	001048-45	Nozzle Tip Washer
3	009538-45	Swivel Washer
4	011429-45	Swivel Sleeves (2)
5	001074-45	O-Ring
6	014200-45	Star Washer, Anti-Rotation
7	001686-45	Blue CW Index
8	000925-45	Lab Handle Screw
9	B-WH4	4" Wrist Action Handle
10	006216-40	12" Swivel Gooseneck Swivel Yoke
11	006477-40	Eterna Cartridge - LTC
12	161A	B-0850 Side Body - Cold
13	000958-20	Coupling Nut
14	162A	B-0850 Side Body - Hot
15	006478-40	Eterna Cartridge - RTC
16	001257-40	Bell Escutcheon
17	001194-45	Red HW Index

Product Specifications:

8" Deck Mount Mixing Faucet, Eterna Cartridges, 4" Wrist Action Handles, Swivel Gooseneck w/ Rosespray Outlet & 1/2" NPT Male Inlets w/ Brass Coupling Nuts

Product Compliance:

ASME A112.18.1 / CSA B125.1
NSF 61 - Section 9
NSF 372 (Low Lead Content)
ANSI A117.1 (ADA)



T&S BRASS AND BRONZE WORKS, INC.

2 Saddleback Cove / P.O. Box 1088
Travelers Rest, SC 29690

Model No.

B-0866-04-CR

Item No.

Travelers Rest, SC: 800-476-4103 • Simi Valley, CA: 800-423-0150 • Fax: 864-834-3518 • www.tsbrass.com



ADA Compliant

This Space for Architect/Engineer Approval

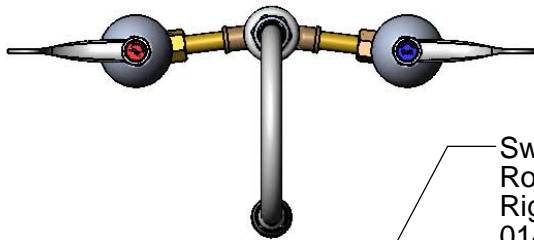
Job Name _____ Date _____

Model Specified _____ Quantity _____

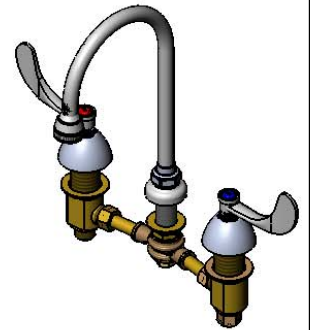
Customer/Wholesaler _____

Contractor _____

Architect/Engineer _____

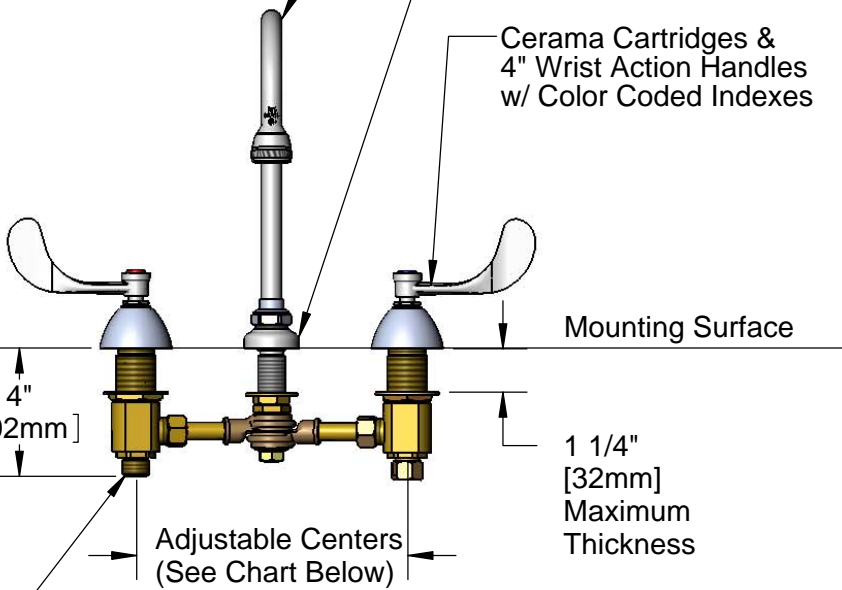
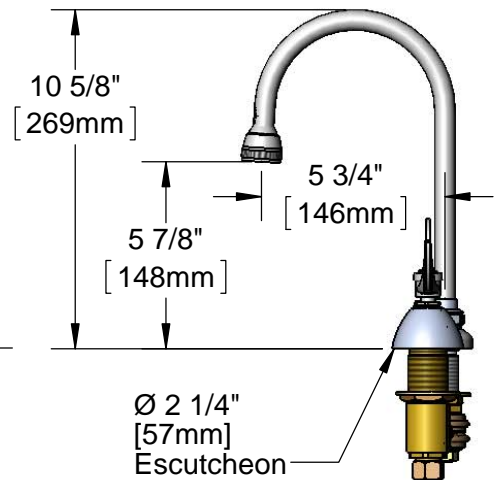


Swivel Gooseneck w/
Rosespray Outlet.
Rigid Conversion Requires
014200-45 Lock Washer
(Included)



Ø 1 11/16"
[43mm]
Swivel Deck
Flange

Cerama Cartridges &
4" Wrist Action Handles
w/ Color Coded Indexes



1/2" NPT Threads w/
Brass Coupling Nuts

<p>Hot & Cold Center Sections Can be at Angle</p>	if "Y" is	Then Faucet Will Fit "X" with Standard 1/4" NPT Cross Pipes Furnished
	1/2"	8"
	1"	7 3/4"
	1 1/2"	7 3/8"
	2"	7"

Rough-In Requirement:
Center Shank: Ø 1" [25mm] Mounting Hole
Hot/Cold Bodies: Ø 1 1/2" [38mm] Mounting Hole

Product Specifications:
8" Deck Mount Mixing Faucet w/ Cerama Cartridges, 4" Wrist Action Handles, Swivel Gooseneck w/ Rosespray Outlet

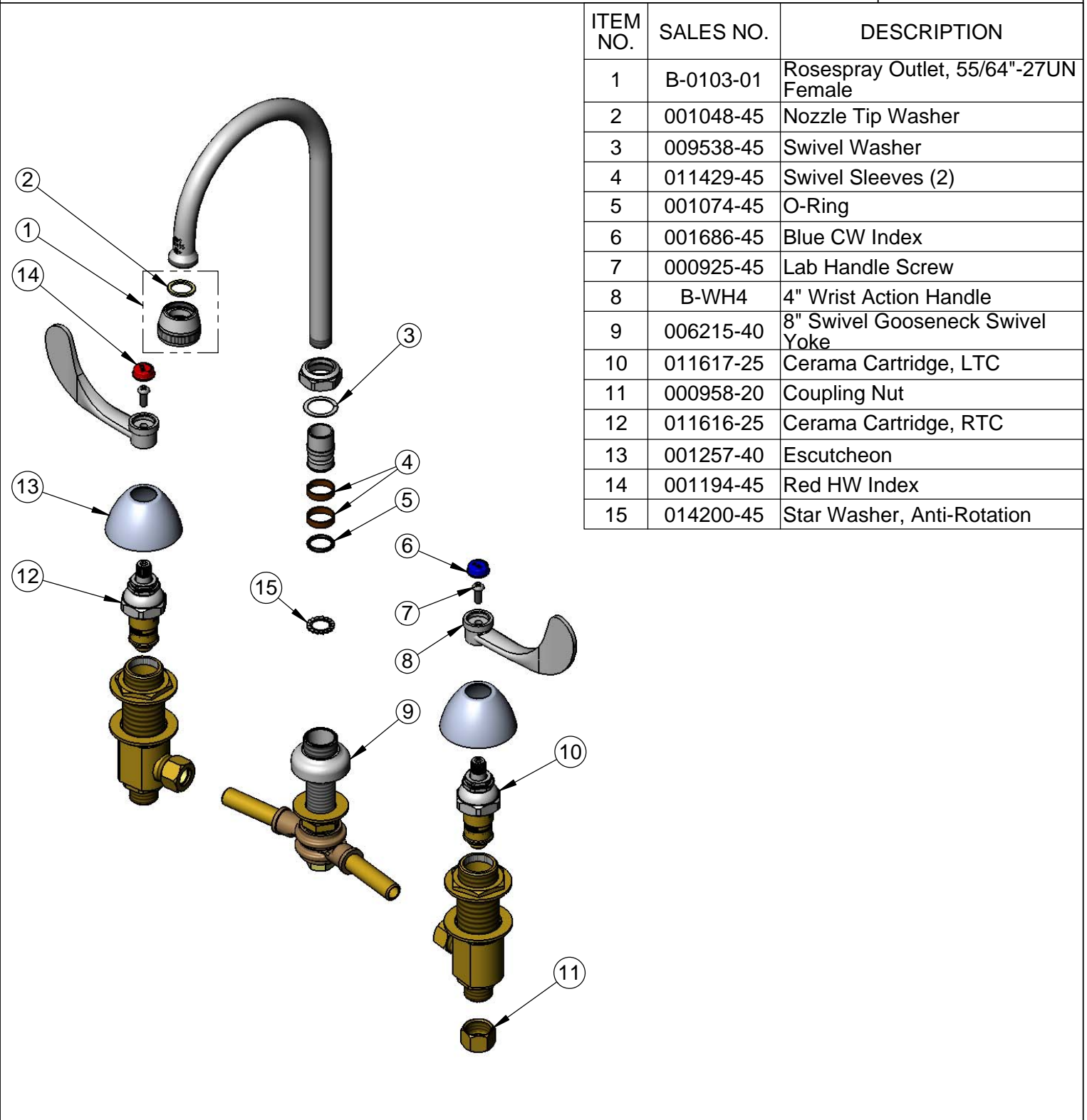
Drawn KJG	Checked DMH	Approved JHB
Scale: 1:6		Date: 01/31/14



T&S BRASS AND BRONZE WORKS, INC.
 2 Saddleback Cove / P.O. Box 1088
 Travelers Rest, SC 29690

Model No.
B-0866-04-CR
 Item No.

Travelers Rest, SC: 800-476-4103 • Simi Valley, CA: 800-423-0150 • Fax: 864-834-3518 • www.tsbrass.com



ITEM NO.	SALES NO.	DESCRIPTION
1	B-0103-01	Rosespray Outlet, 55/64"-27UN Female
2	001048-45	Nozzle Tip Washer
3	009538-45	Swivel Washer
4	011429-45	Swivel Sleeves (2)
5	001074-45	O-Ring
6	001686-45	Blue CW Index
7	000925-45	Lab Handle Screw
8	B-WH4	4" Wrist Action Handle
9	006215-40	8" Swivel Gooseneck Swivel Yoke
10	011617-25	Cerama Cartridge, LTC
11	000958-20	Coupling Nut
12	011616-25	Cerama Cartridge, RTC
13	001257-40	Escutcheon
14	001194-45	Red HW Index
15	014200-45	Star Washer, Anti-Rotation

Product Specifications:
 8" Deck Mount Mixing Faucet w/ Cerama Cartridges, 4" Wrist Action Handles, Swivel Gooseneck w/ Rosespray Outlet

Drawn KJG	Checked DMH	Approved JHB
Scale: NTS		Date: 01/31/14



T&S BRASS AND BRONZE WORKS, INC.

2 SADDLEBACK COVE / P.O. BOX 1088 / TRAVELERS REST, SC 29690

PHONE 800-476-4103

FAX 864-834-3518



REG.#A2601
ISO #9002

Model No.

B-0866-04-LN

Item No.:

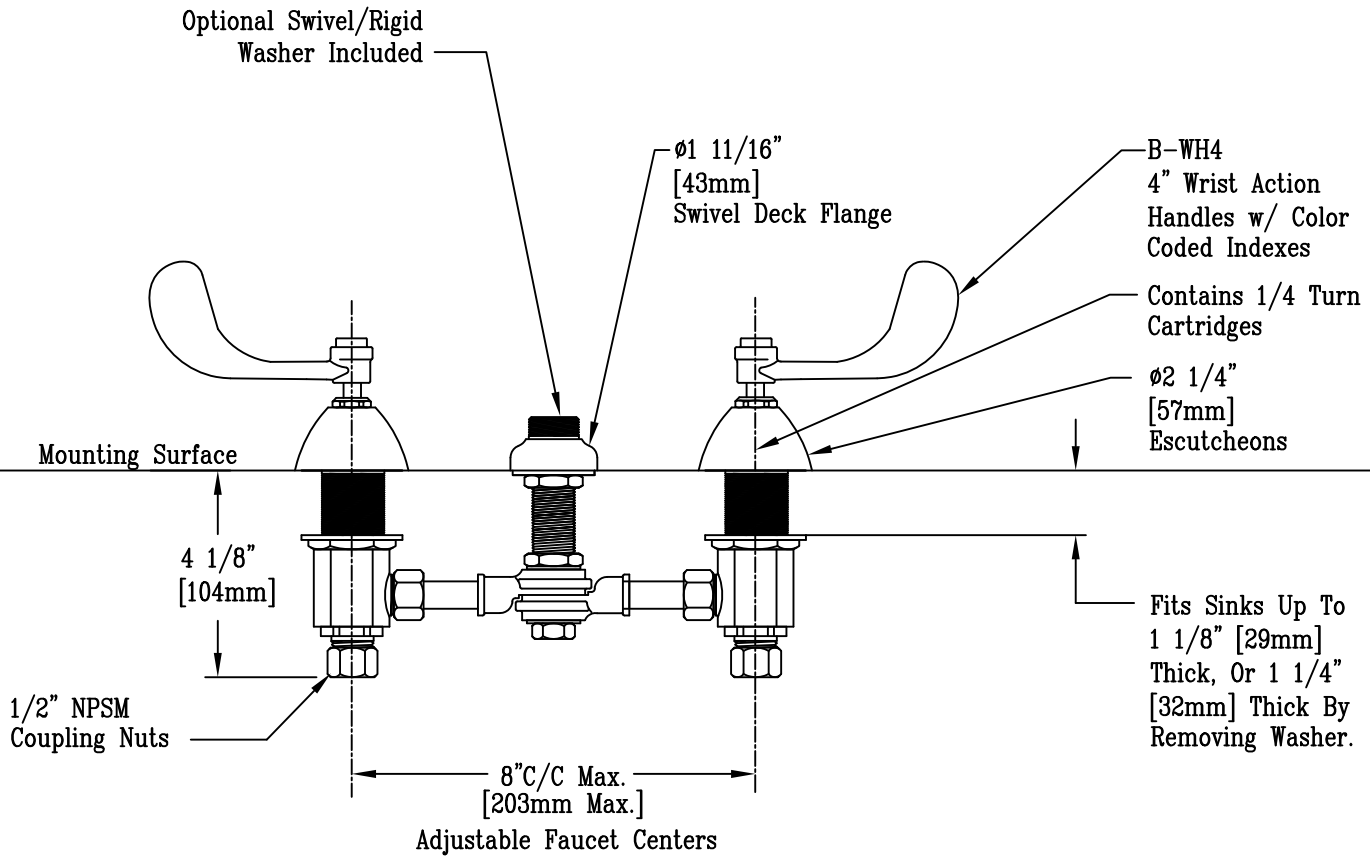
Job Name:

Architect/Engineer Approval:

Notes:



ADA Compliant



Note: Rough-In Required:

Ø1" [25mm] For Center Shank

Ø1 1/2" [38mm] For Hot/Cold Side

Bodies [1-1/4" [32mm] Minimum]

Product Description:
Deck Mounted Mixing Faucet w/ 4" Wrist Action Handles, Adjustable Inlet Centers, and 1/4 Turn Cartridges, Furnished Less Nozzle

Drawn:

JRM

Approved

JHB

Checked

DMH

Scale:

1:4

Date:

07/16/10



T&S BRASS AND BRONZE WORKS, INC.

2 SADDLEBACK COVE / P.O. BOX 1088 / TRAVELERS REST, SC 29690

PHONE 800-476-4103

FAX 864-834-3518



REG.#A2601
ISO #9002

Model No.

B-0866-07-PV

Item No.:

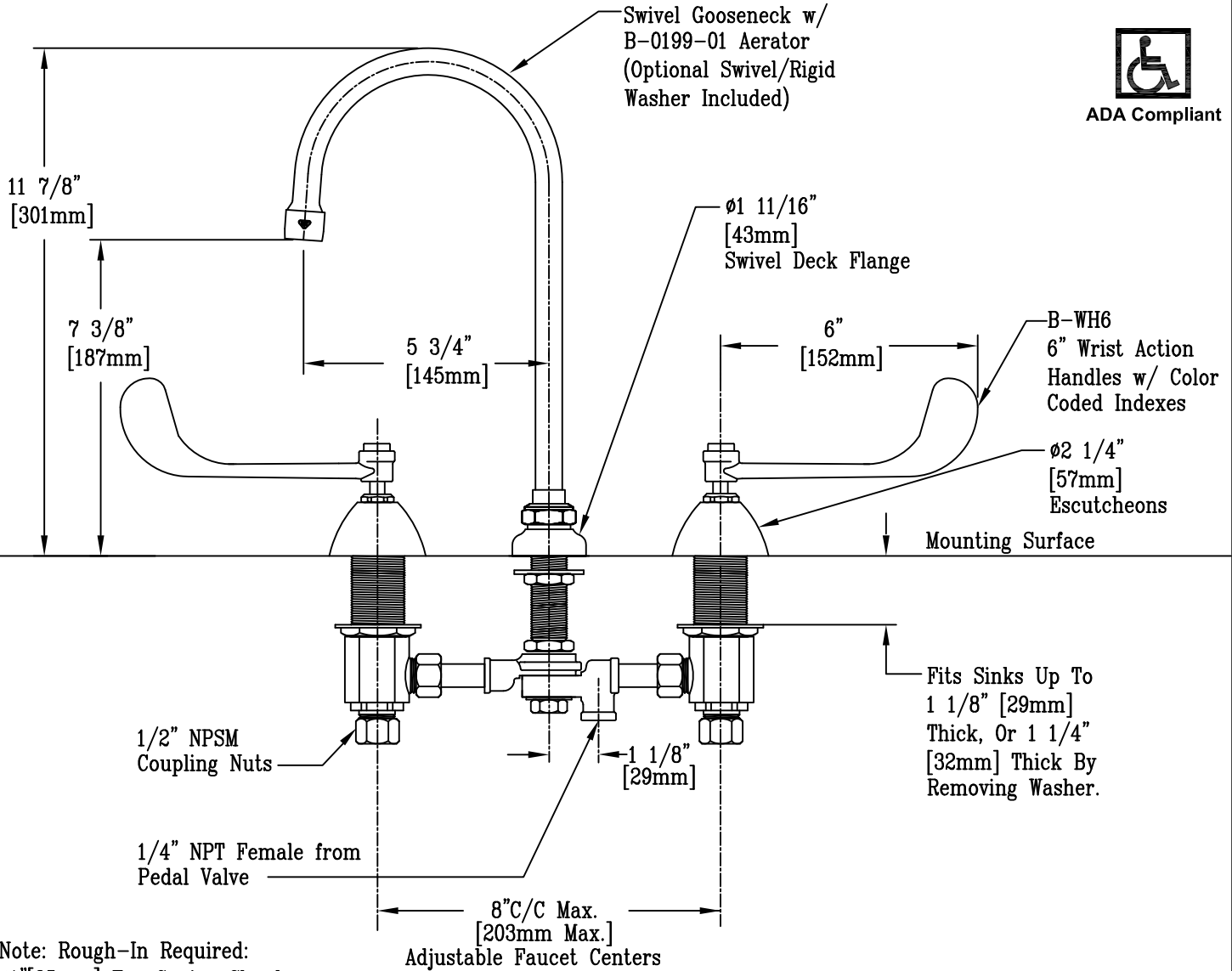
Job Name:

Architect/Engineer Approval:

Notes:



ADA Compliant



Note: Rough-In Required:

Ø1" [25mm] For Center Shank

Ø1 1/2" [38mm] For Hot/Cold Side

Bodies [1-1/4" [32mm] Minimum]

Hot & Cold Center Sections Can be at Angle	IF "Y" IS	Then Faucet Will Fit "X" with Standard 1/4" NPT Cross Pipes Furnished
	1/2"	8"
	1"	7 3/4"
	1 1/2"	7 3/8"
	2"	7"

Product Description:

Deck Mounted Mixing Faucet w/ 6" Wrist
Action Handles, Pedal Valve Connection,
Swivel Gooseneck w/ B-0199-01 Aerator

Drawn:

JRM

Approved

JHB

Checked

DMH

Scale:

1:4

Date:

07/16/10



T&S BRASS AND BRONZE WORKS, INC.

2 SADDLEBACK COVE / P.O. BOX 1088 / TRAVELERS REST, SC 29690
 PHONE 800-476-4103 FAX 803- 834-3518



REG.#A2601
 ISO #9002

Model No.

B-0866-L

Item No.:

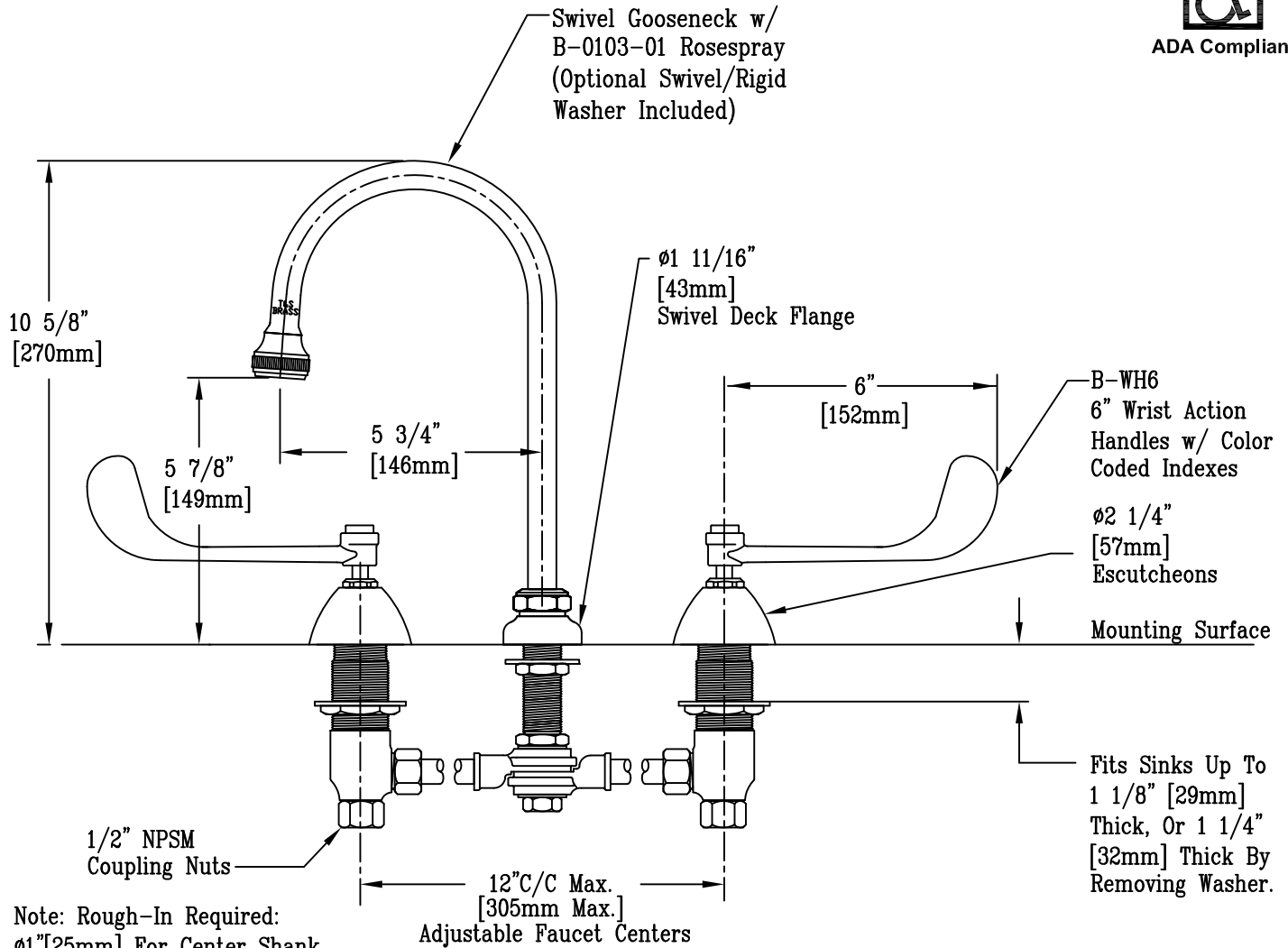
Job Name:

Architect/Engineer Approval:

Notes:



ADA Compliant

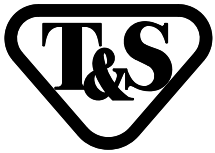


Note: Rough-In Required:
 Ø1" [25mm] For Center Shank
 Ø1 1/2" [38mm] For Hot/Cold Side
 Bodies [1-1/4" [32mm] Minimum]

Hot & Cold Center Sections Can be at Angle	IF "Y" IS	Then Faucet Will Fit "X" with Standard 1/4" NPT Cross Pipes Furnished
	1/2"	12"
	1"	11 3/4"
	1 1/2"	11 3/8"
	2"	11"

Product Description:
 Deck Mounted Mixing Faucet w/ 6" Wrist
 Action Handles, 12" Adjustable Inlet Centers and
 Swivel Gooseneck w/ Rosespray Outlet

Drawn:	Checked:	Scale:
JRM	DMH	1:4
Approved:	Date:	
JHB	07/16/10	



T&S BRASS AND BRONZE WORKS, INC.

2 Saddleback Cove / P.O. Box 1088
Travelers Rest, SC 29690

Model No.

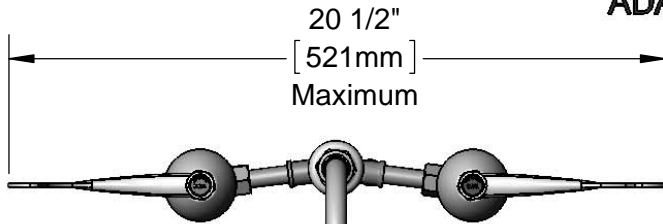
B-0866-PV

Item No.

Travelers Rest, SC: 800-476-4103 • Simi Valley, CA: 800-423-0150 • Fax: 864-834-3518 • www.tsbrass.com



ADA Compliant



This Space for Architect/Engineer Approval

Job Name _____ Date _____

Model Specified _____ Quantity _____

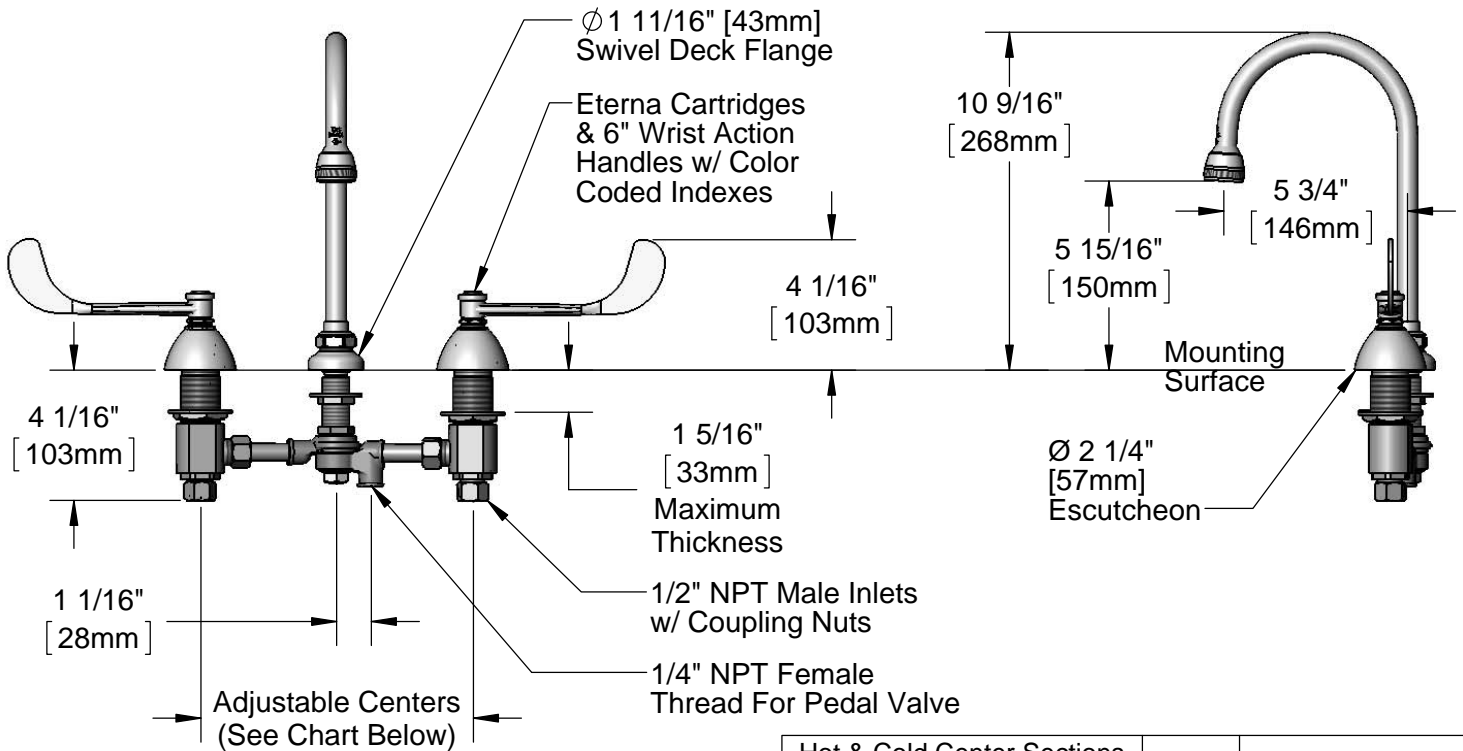
Customer/Wholesaler _____

Contractor _____

Architect/Engineer _____

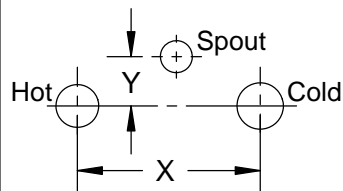


Swivel Gooseneck w/
B-0103-01
Rosespray Outlet.
Rigid Conversion Requires
014200-45 Lock Washer
(Included)



Rough-In Requirement:
Center Shank: ϕ 1" [ϕ 25mm] Mounting Hole
Hot/Cold Bodies: ϕ 1 1/2" [ϕ 38mm] Mounting Holes

Hot & Cold Center Sections
Can be at Angle



if "Y" is	Then Faucet Will Fit "X" with Standard 1/4" NPT Cross Pipes Furnished
1/2"	8"
1"	7 3/4"
1 1/2"	7 3/8"
2"	7"

Product Specifications:

8" Deck Mount Mixing Faucet, Eterna Cartridges, 6" Wrist Action Handles, Swivel Gooseneck w/ Rosespray Outlet, Pedal Valve Connection & 1/2" NPT Male Inlets w/ Coupling Nuts

Product Compliance:

ASME A112.18.1 / CSA B125.1
NSF 61 - Section 9
NSF 372 (Low Lead Content)
ANSI A117.1 (ADA)



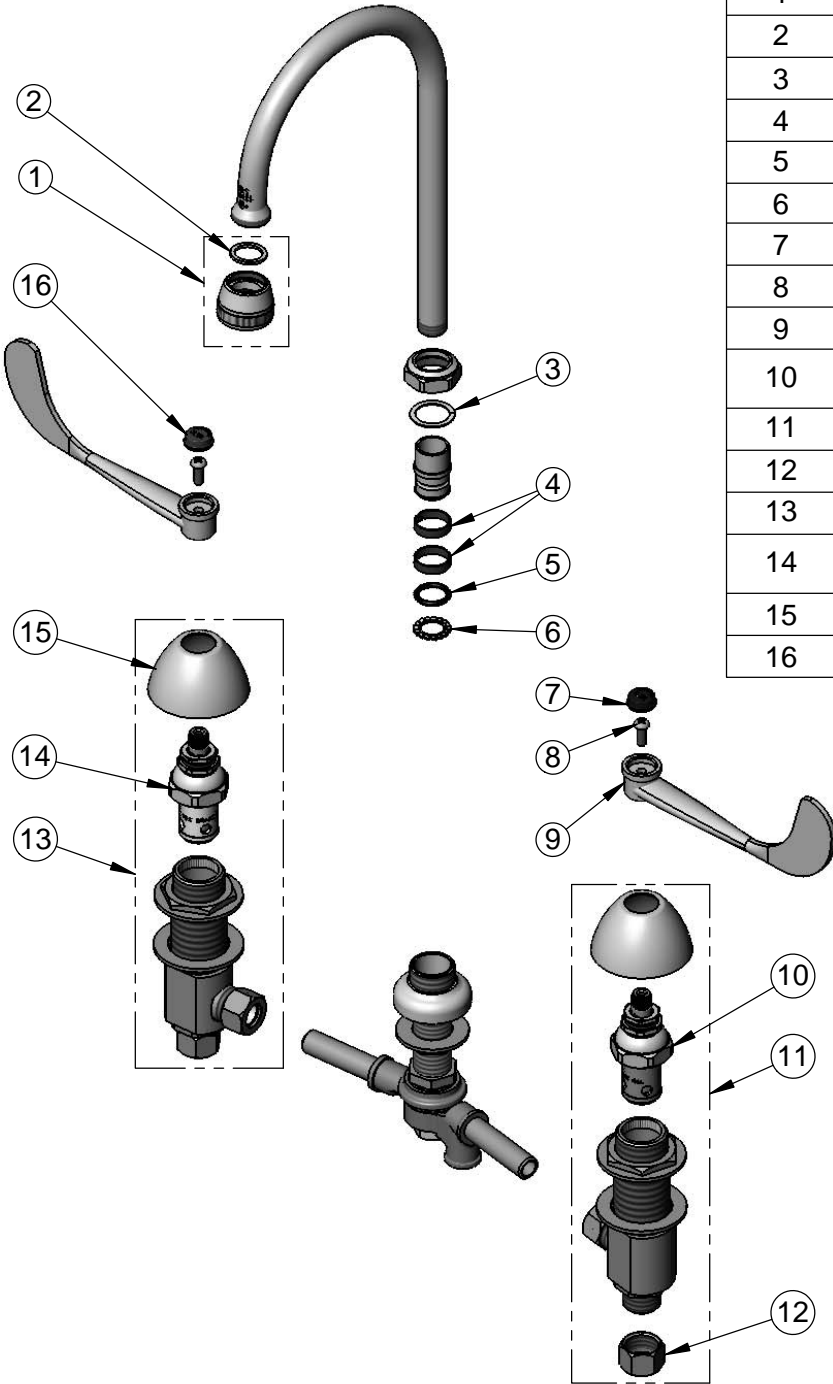
T&S BRASS AND BRONZE WORKS, INC.
 2 Saddleback Cove / P.O. Box 1088
 Travelers Rest, SC 29690

Model No.
B-0866-PV

Item No.

Travelers Rest, SC: 800-476-4103 • Simi Valley, CA: 800-423-0150 • Fax: 864-834-3518 • www.tsbrass.com

ITEM NO.	SALES NO.	DESCRIPTION
1	B-0103-01	Rosespray Outlet
2	001048-45	Nozzle Tip Washer
3	009538-45	Swivel Washer
4	011429-45	Swivel Sleeves (2)
5	001074-45	O-Ring
6	014200-45	Star Washer, Anti-Rotation
7	001686-45	Blue Index- CW
8	000925-45	Lab Handle Screw
9	B-WH6	6" Wrist Action Handle
10	006477-40	Eterna Cartridge, LTC (Teflon) w/ Escutcheon Bonnet
11	161A	B-0850 Side Body - Cold
12	000958-20	Coupling Nut
13	162A	B-0850 Side Body - Hot
14	006478-40	Eterna Cartridge, RTC (Teflon) w/ Escutcheon Bonnet
15	001257-40	Bell Escutcheon
16	001194-45	Red Index - HW



Product Specifications:

8" Deck Mount Mixing Faucet, Eterna Cartridges, 6" Wrist Action Handles, Swivel Gooseneck w/ Rosespray Outlet, Pedal Valve Connection & 1/2" NPT Male Inlets w/ Coupling Nuts

Product Compliance:

ASME A112.18.1 / CSA B125.1
 NSF 61 - Section 9
 NSF 372 (Low Lead Content)
 ANSI A117.1 (ADA)



T&S BRASS AND BRONZE WORKS, INC.
 2 SADDLEBACK COVE / P.O. BOX 1088 / TRAVELERS REST, SC 29690
 PHONE 800-476-4103 FAX 864-834-3518



Model No.

B-0867

Item No.:

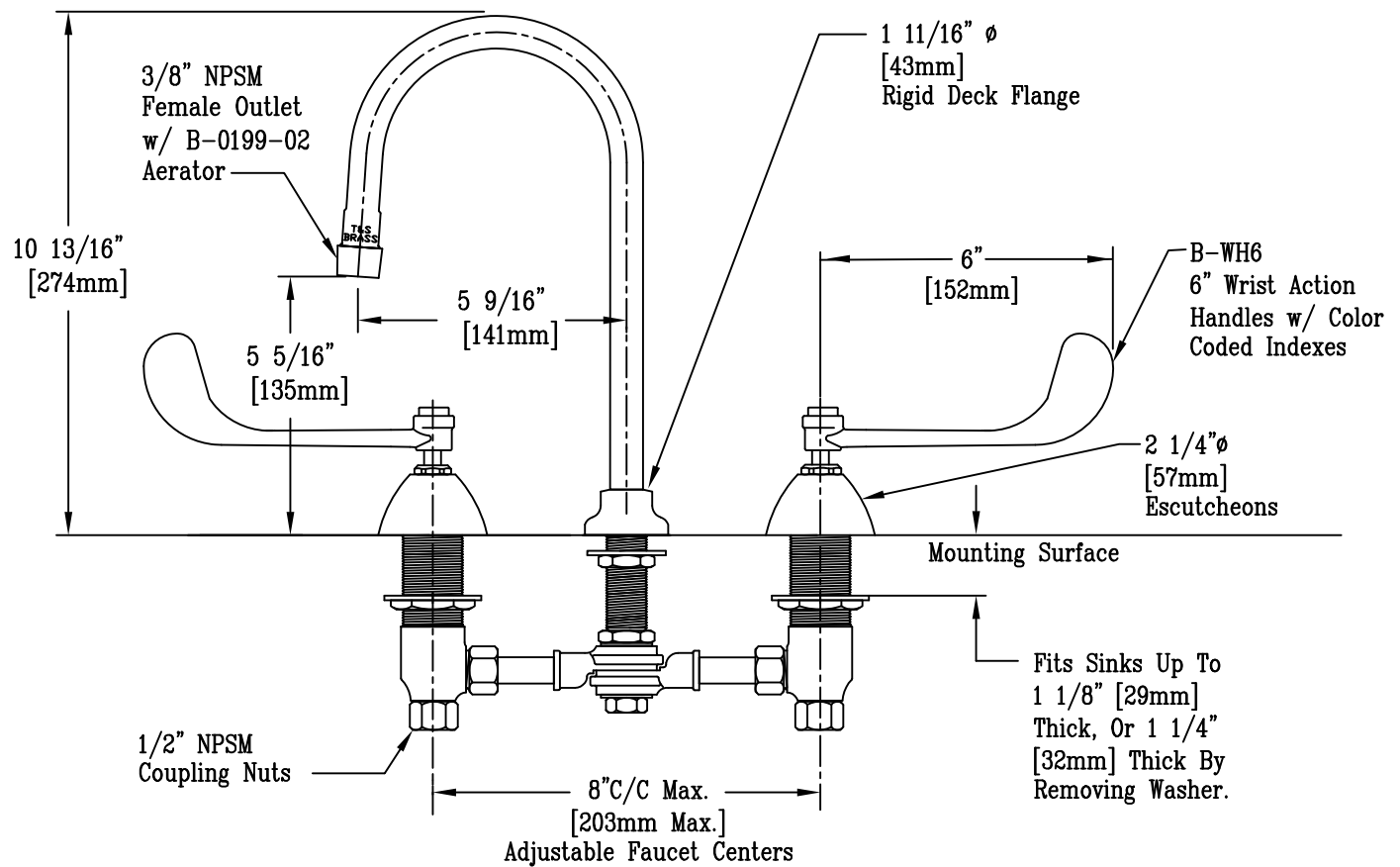
Job Name:

Architect/Engineer Approval:

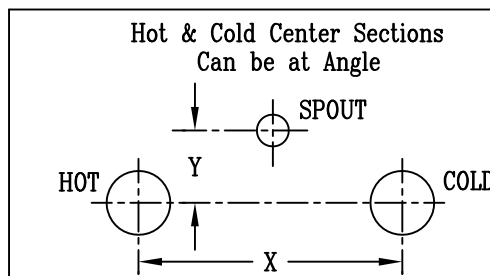
Notes:



ADA Compliant



Note: Rough-in Required:
 ϕ 1 for Center Shank
 ϕ 1 1/4 for Hot/Cold Side Bodies



IF "Y" IS	Then Faucet Will Fit "X" with Standard 1/4" NPT Cross Pipes Furnished
1/2"	8"
1"	7 3/4"
1 1/2"	7 3/8"
2"	7"

Product Description:

Deck Mounted Mixing Faucet with 6" Wrist Action Handles, Adjustable Inlet Centers, Rigid Gooseneck & 2.2 gpm Aerator Outlet

Drawn:

JRM

Checked

DHL

Scale:

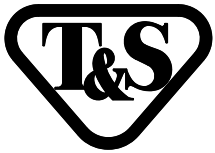
1:4

Approved

JHB

Date:

04/06/11



T&S BRASS AND BRONZE WORKS, INC.

2 Saddleback Cove / P.O. Box 1088
Travelers Rest, SC 29690

Model No.

B-0867-04

Item No.

Travelers Rest, SC: 800-476-4103 • Simi Valley, CA: 800-423-0150 • Fax: 864-834-3518 • www.tsbrass.com



ADA Compliant

This Space for Architect/Engineer Approval

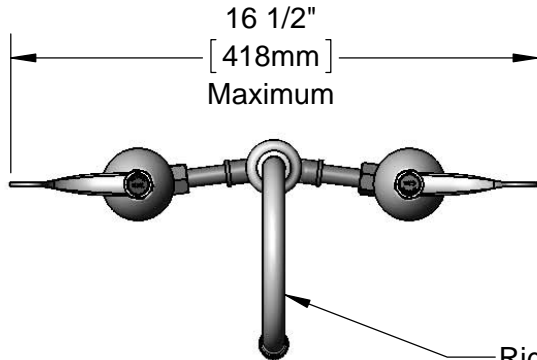
Job Name _____ Date _____

Model Specified _____ Quantity _____

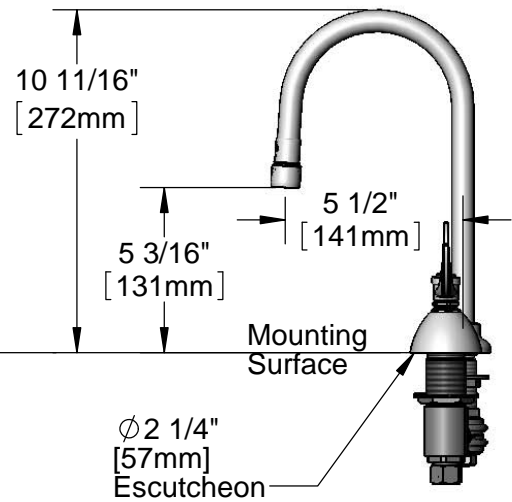
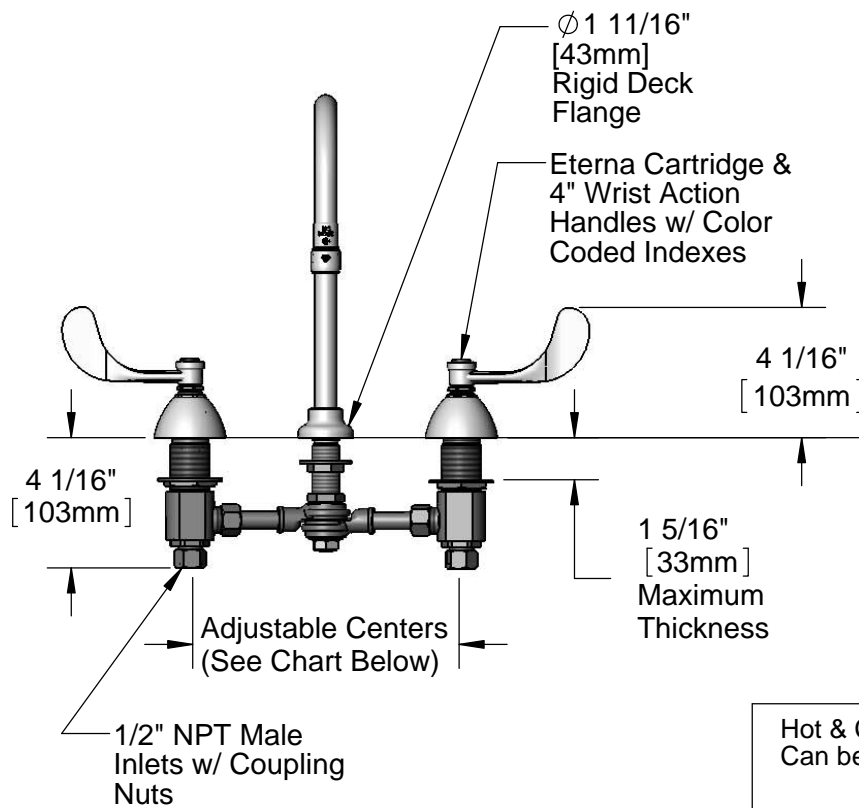
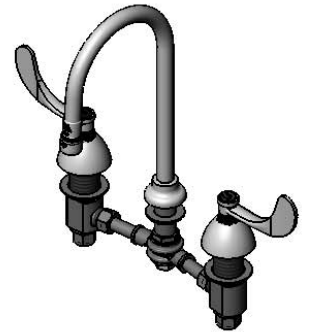
Customer/Wholesaler _____

Contractor _____

Architect/Engineer _____

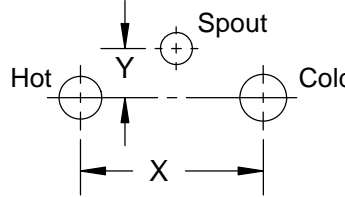


Rigid Gooseneck w/
B-0199-02
2.2 GPM Aerator



Rough-In Requirement:
 Center Shank: $\phi 1$ " [$\phi 25$ mm] Mounting Hole
 Hot/Cold Bodies: $\phi 1 \frac{1}{2}$ " [$\phi 38$ mm] Mounting Hole

Hot & Cold Center Sections
Can be at Angle



if "Y" is Then Faucet Will Fit "X" with Standard 1/4" NPT Cross Pipes Furnished

1/2"	8"
1"	7 3/4"
1 1/2"	7 3/8"
2"	7"

Product Specifications:

8" Deck Mount Mixing Faucet, Eterna Cartridges, 4" Wrist Action Handles, Rigid Gooseneck w/ 2.2 GPM Aerator, 1/2" NPT Male Inlets w/ Coupling Nuts

Product Compliance:

ASME A112.18.1 / CSA B125.1
 NSF 61 - Section 9
 NSF 372 (Low Lead Content)
 ANSI A117.1 (ADA)



T&S BRASS AND BRONZE WORKS, INC.

2 Saddleback Cove / P.O. Box 1088
Travelers Rest, SC 29690

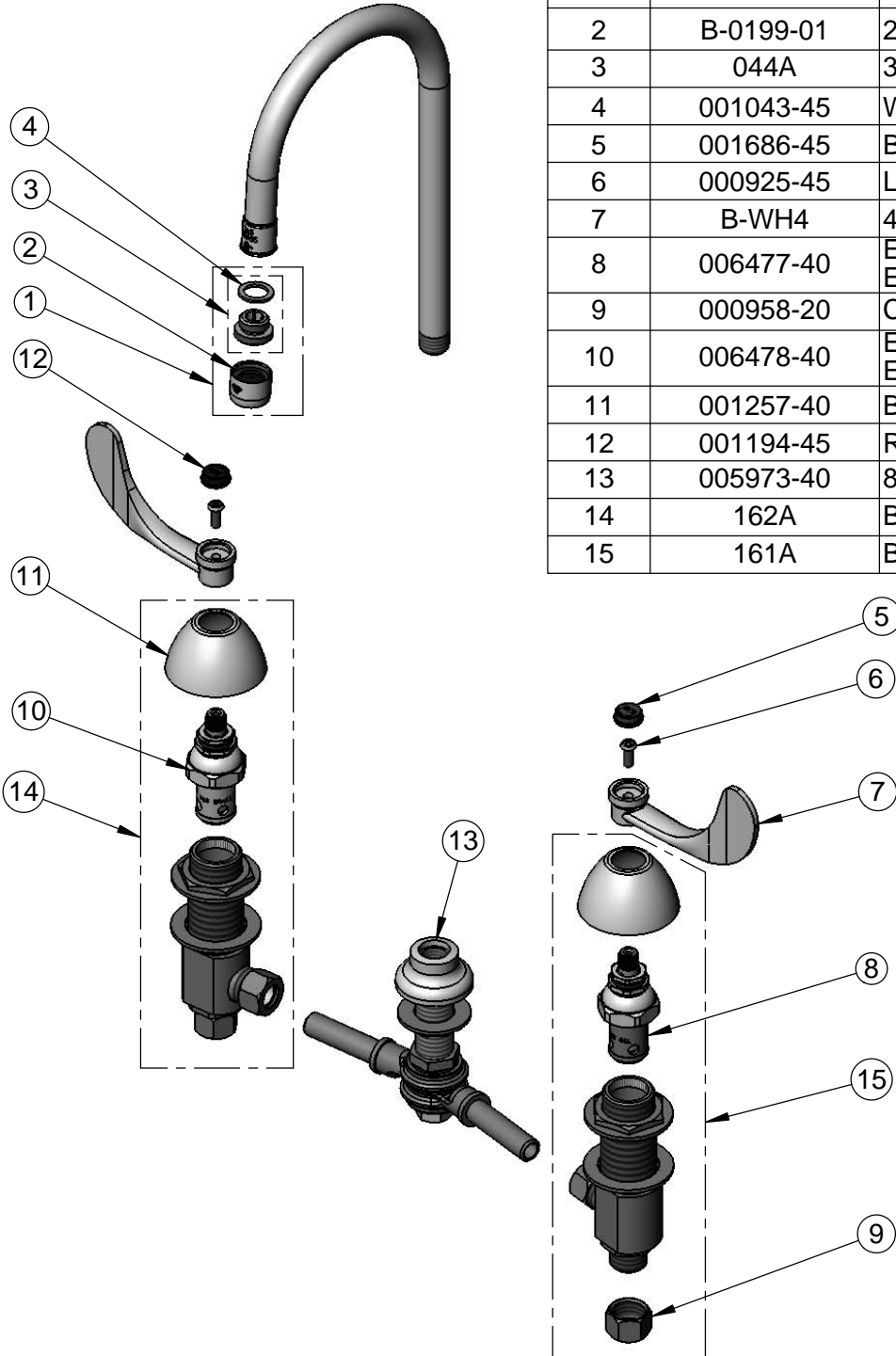
Model No.

B-0867-04

Item No.

Travelers Rest, SC: 800-476-4103 • Simi Valley, CA: 800-423-0150 • Fax: 864-834-3518 • www.tsbrass.com

ITEM NO.	SALES NO.	DESCRIPTION
1	B-0199-02	2.2 GPM Aerator, 3/8" NPSM Male
2	B-0199-01	2.2 GPM Aerator, 55/64-27 UN Female
3	044A	3/8" to Aerator Adapter
4	001043-45	Washer
5	001686-45	Blue Index - CW
6	000925-45	Lab Handle Screw
7	B-WH4	4" Wrist Action Handle
8	006477-40	Eterna Cartridge, LTC (Teflon) w/ Escutcheon Bonnet
9	000958-20	Coupling Nut
10	006478-40	Eterna Cartridge, RTC (Teflon) w/ Escutcheon Bonnet
11	001257-40	Bell Escutcheon
12	001194-45	Red Index - HW
13	005973-40	8" Swivel Yoke w/ Rigid Flange Outlet
14	162A	B-0850 Side Body - Hot
15	161A	B-0850 Side Body - Cold



Product Specifications:

8" Deck Mount Mixing Faucet, Eterna Cartridges, 4" Wrist Action Handles, Rigid Gooseneck w/ 2.2 GPM Aerator, 1/2" NPT Male Inlets w/ Coupling Nuts

Product Compliance:

ASME A112.18.1 / CSA B125.1
NSF 61 - Section 9
NSF 372 (Low Lead Content)
ANSI A117.1 (ADA)



T&S BRASS AND BRONZE WORKS, INC.

2 SADDLEBACK COVE / P.O. BOX 1088 / TRAVELERS REST, SC 29690

PHONE 800-476-4103

FAX 864-834-3518



REG.#A2601
ISO #9002

Model No.

B-0867-04L

Item No.:

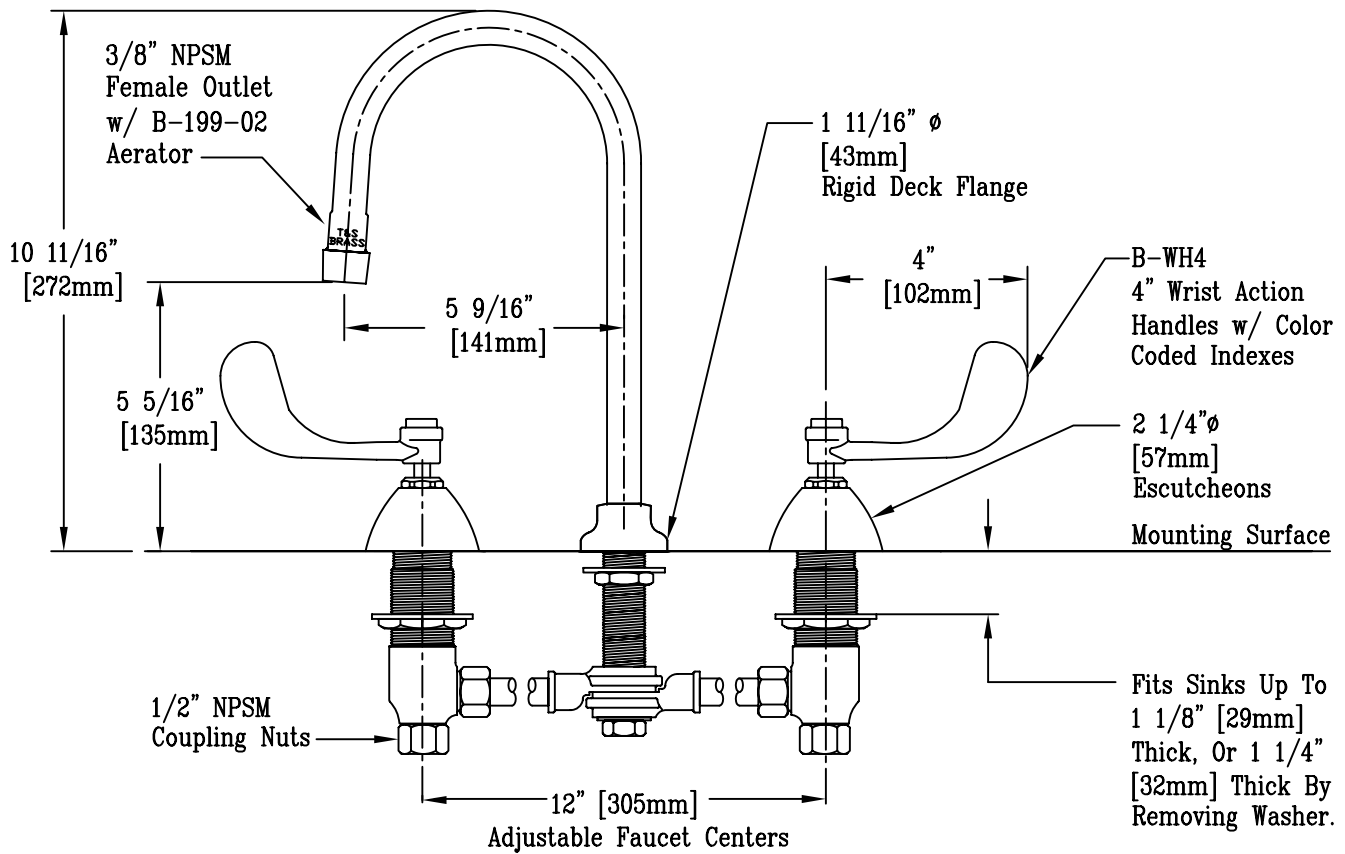
Job Name:

Architect/Engineer Approval:

Notes:



ADA Compliant



Note: Rough-in Required:
 $\phi 7/8$ for Center Shank
 $\phi 1 1/4$ for Hot/Cold Side Bodies

Hot & Cold Center Sections Can be at Angle	IF "Y" IS	Then Faucet Will Fit "X" with Standard 1/4" NPT Cross Pipes Furnished
	1/2"	12"
	1"	11 3/4"
	1 1/2"	11 3/8"
	2"	11"

Product Description:

Deck Mounted Mixing Faucet w/ 4" Wrist Action Handles, 12" Adjustable Inlet Centers & Rigid Gooseneck w/ Aerator

Drawn:

BHR

Checked

JRM

Scale:

1:4

Approved

JHB

Date:

8/16/07



T&S BRASS AND BRONZE WORKS, INC.

2 Saddleback Cove / P.O. Box 1088
Travelers Rest, SC 29690

Model No.

B-0867-04-WS

Item No.

Travelers Rest, SC: 800-476-4103 • Simi Valley, CA: 800-423-0150 • Fax: 864-834-3518 • www.tsbrass.com

This Space for Architect/Engineer Approval

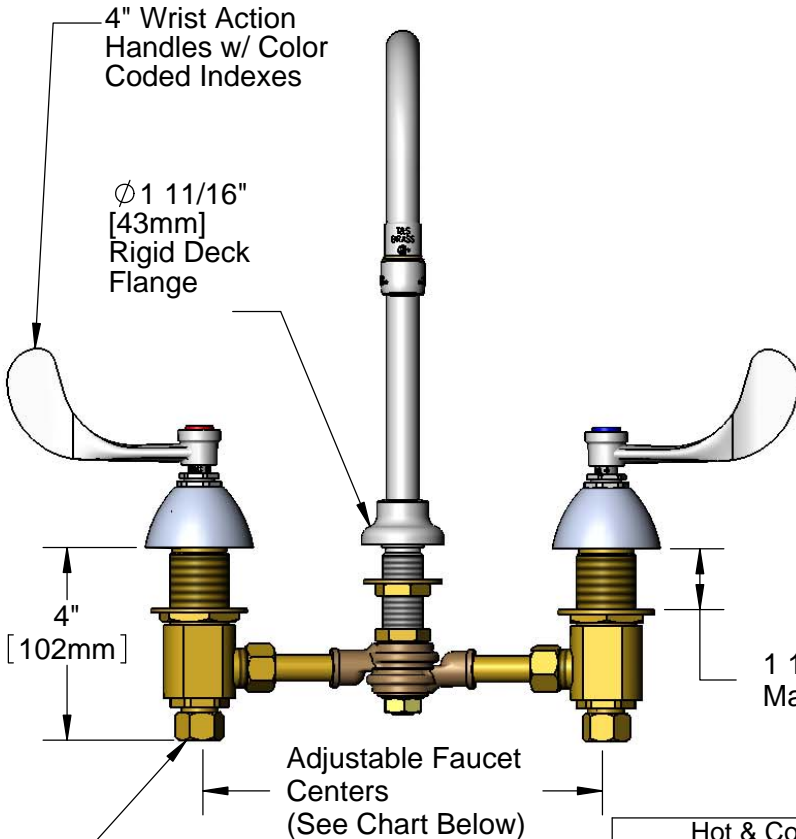
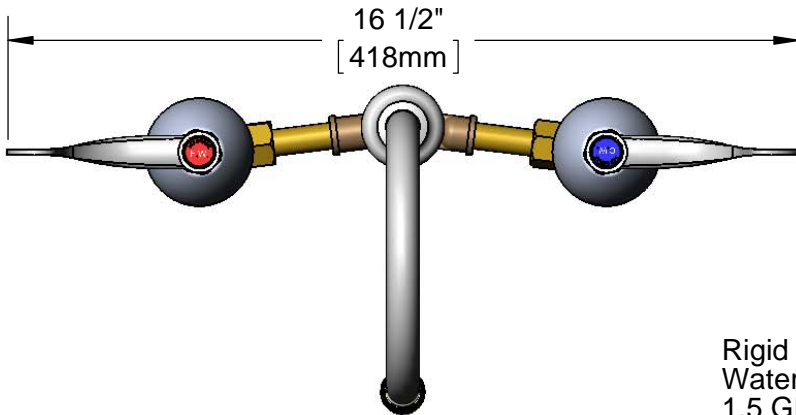
Job Name _____ Date _____

Model Specified _____ Quantity _____

Customer/Wholesaler _____

Contractor _____

Architect/Engineer _____



4" Wrist Action Handles w/ Color Coded Indexes

4" [102mm]

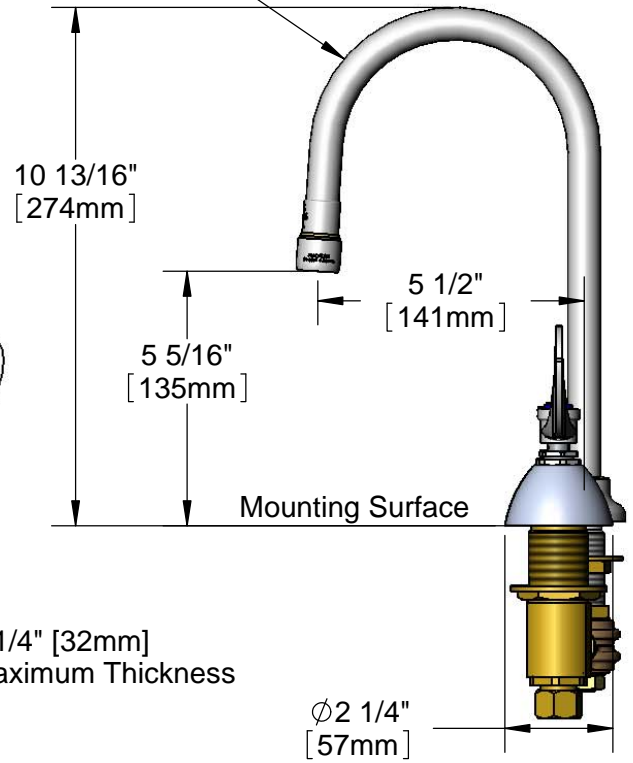
Adjustable Faucet Centers (See Chart Below)

1/2" NPT Thread w/ Brass Coupling Nut

Rigid Gooseneck w/ WaterSense 1.5 GPM Aerator



ADA Compliant



10 13/16" [274mm]

5 5/16" [135mm]

5 1/2" [141mm]

Mounting Surface

1 1/4" [32mm] Maximum Thickness

Ø 2 1/4" [57mm]

Rough-In Requirements:
Center Shank: Ø 1" [Ø 25mm] Hole
Hot/Cold Bodies: Ø 1 1/2" [Ø 38mm] Hole (Ø 1 1/4" [Ø 32mm] Minimum)

Hot & Cold Center Sections Can be at Angle		if "Y" is	Then Faucet Will Fit "X" with Standard 1/4" NPT Cross Pipes Furnished
		1/2"	8"
		1"	7 3/4"
		1 1/2"	7 3/8"
		2"	7"

Product Specifications:
8" Deck Mount Mixing Faucet w/ Eterna Cartridges, 4" Wrist Action Handles, & Rigid Gooseneck w/ 1.5 GPM Aerator

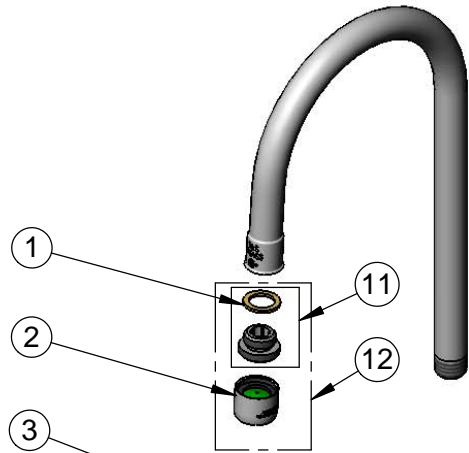
Drawn	Checked	Approved
JRM	KJG	JHB
Scale:		Date:
1:4		05/06/13



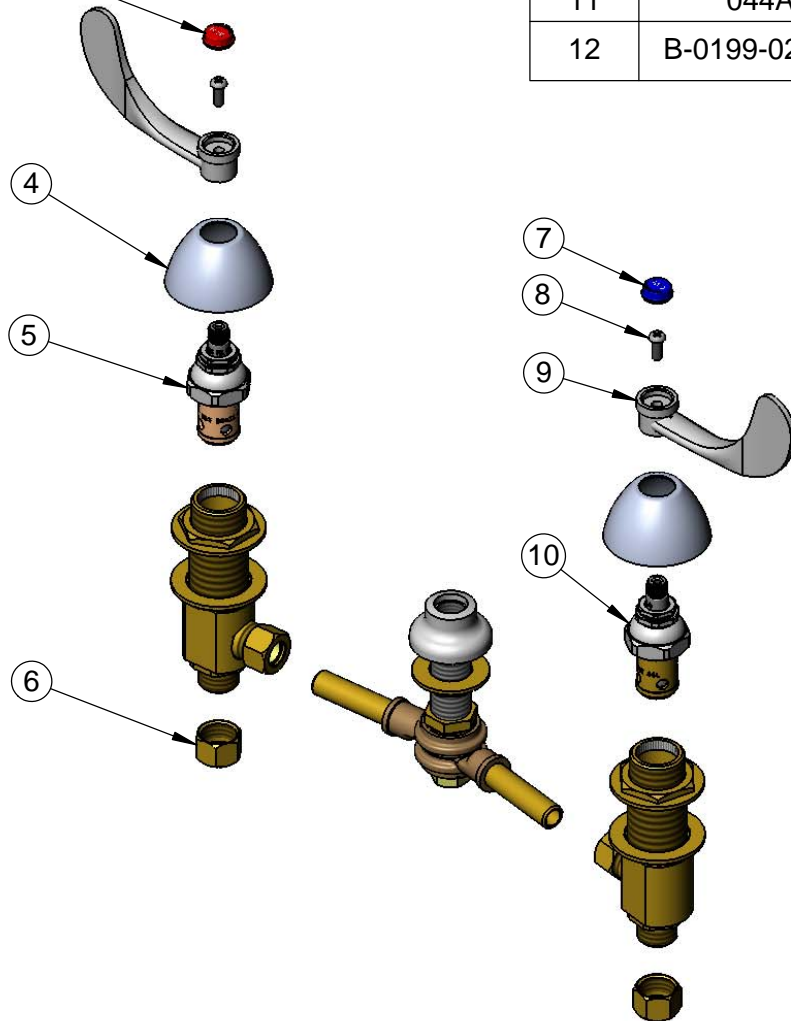
T&S BRASS AND BRONZE WORKS, INC.
 2 Saddleback Cove / P.O. Box 1088
 Travelers Rest, SC 29690

Model No.
B-0867-04-WS
 Item No.

Travelers Rest, SC: 800-476-4103 • Simi Valley, CA: 800-423-0150 • Fax: 864-834-3518 • www.tsbrass.com



ITEM NO.	SALES NO.	DESCRIPTION
1	001043-45	Washer
2	B-0199-01-WS	1.5 GPM Aerator, 55/64-27 Female
3	001194-45	Red HW Index
4	001257-40	Bell Escutcheon
5	006478-40	Eterna Cartridge, RTC (Teflon) w/ Escutcheon Bonnet
6	000958-20	Coupling Nut
7	001686-45	Blue CW Index
8	000925-45	Lab Handle Screw
9	B-WH4	4" Wrist Action Handle
10	006477-40	Eterna Cartridge, LTC (Teflon) w/ Escutcheon Bonnet
11	044A	3/8" to Aerator Adapter
12	B-0199-02-WS	1.5 GPM Female Aerator, Adapter & Washer



Product Specifications:
 8" Deck Mount Mixing Faucet w/ Eterna Cartridges,
 4" Wrist Action Handles, & Rigid Gooseneck w/ 1.5 GPM Aerator

Drawn JRM	Checked KJG	Approved JHB
Scale: NTS		Date: 05/06/13