



Medical and Lavatory Faucets B-0830

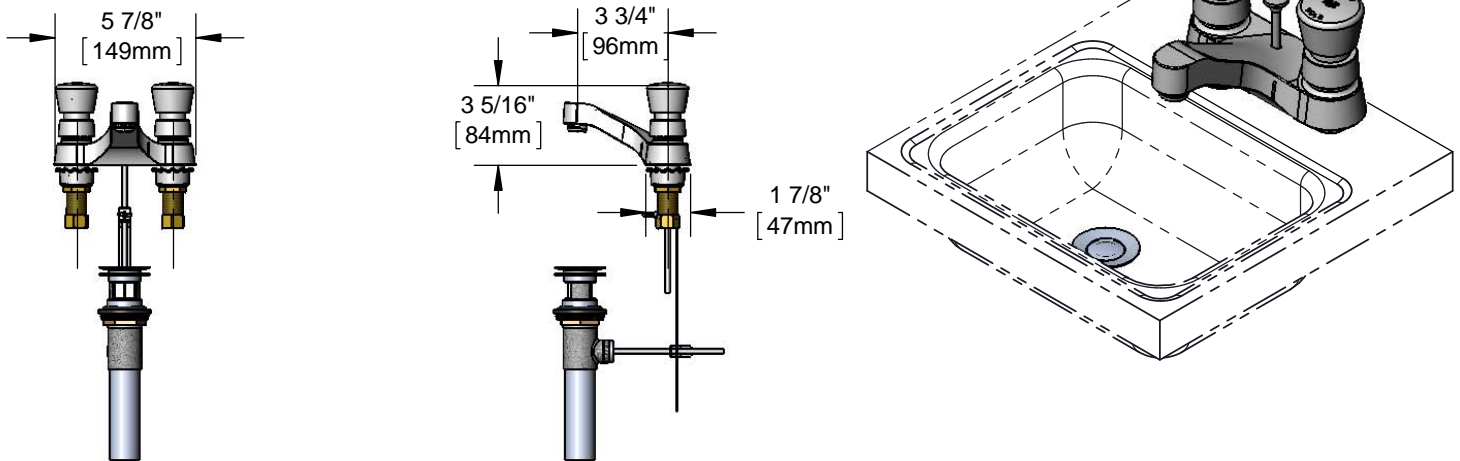
TAG:

Slow Self-Closing Metering Faucet

Architect/Engineering Specifications:

4" centerset deck mount lavatory faucet with polished chrome plated brass body with integral spout, 2.2 GPM aerator, metering cartridges, push button caps, 1/2" NPSM male inlets with coupling nuts and pop-up drain. Certified to ASME A112.18.1/CSA B125.1, NSF 61-Section 9 and NSF 372. Meets ADA ANSI/ICC A117.1 requirements.

Job Name _____
 Model Specified _____ Quantity _____
 Variations Specified _____
 Date _____



Features & Benefits:

- 4" centerset deck mount mixing faucet with polished chrome plated brass body w/ integral spout
- 2.2 GPM aerator, Series 3 (B-0199-03)
- Metering cartridges
- Adjustable Metering Cycle, 10 to 30 seconds
- Push button (hot & cold) caps w/ vandal resistant screws
- 1/2" NPSM male inlets with coupling nuts
- Pop-up drain assembly
- Material: polished chrome plated brass body w/ spout, chrome plated metal caps

Product Compliance:

- ASME A112.18.1 / CSA B125.1
- NSF 61 - Section 9
- NSF 372 (Low Lead Content)
- ANSI A117.1 (ADA)



Warranty: One Year (Limited)

Performance Data:

- Pressure: 20 - 125 psi
- Temperature: 40°F - 140°F
- Flow Rate: 2.2 GPM @ 60 psi



Optional Outlets (Series 3 / VR Series 8)

GPM	Aerated	Non-Aerated (Laminar)	VR Aerated	VR Non-Aerated (VR Laminar)	Optional Cartridges
0.35	N/A	<input type="checkbox"/> B-0199-03-N035	N/A	<input type="checkbox"/> B-0199-08-N035	<input type="checkbox"/> Push Button Metering (Standard)
0.5	N/A	<input type="checkbox"/> B-0199-03-N05	N/A	<input type="checkbox"/> B-0199-08-N05	<input type="checkbox"/> Pivot Action Metering
1.0	N/A	N/A	N/A	<input type="checkbox"/> B-0199-08-LF10	<input type="checkbox"/> Wrist Action Metering
1.5	<input type="checkbox"/> B-0199-03-WS	N/A	<input type="checkbox"/> B-0199-08-WS	<input type="checkbox"/> B-0199-08-LF15	
2.2	<input type="checkbox"/> B-0199-03	<input type="checkbox"/> B-0199-26	<input type="checkbox"/> B-0199-08	<input type="checkbox"/> B-0199-28	



T&S BRASS AND BRONZE WORKS, INC.



• 2 Saddleback Cove • Travelers Rest, SC 29690
 Ph 800-476-4103 • Fax 864-834-3518
 • Simi Valley, CA • Ph 800-423-0150 • www.tsbrass.com

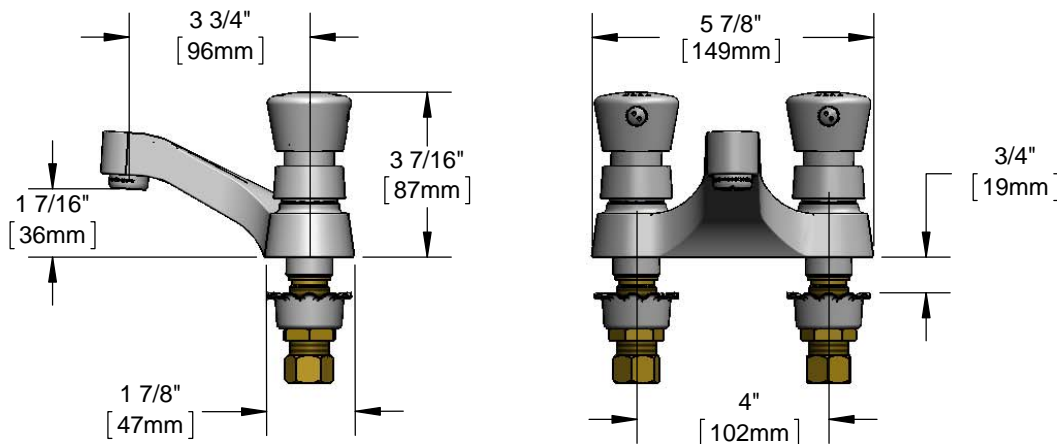
Date: 03/17/15



Architect/Engineering Specifications:

4" centerset deck mount mixing faucet with polished chrome plated brass body and integral spout, 2.2 GPM aerator, metering cartridges, push button caps and 1/2" NPSM male inlets. Certified to ASME A112.18.1/CSA B125.1, NSF 61-Section 9 and NSF 372. Meets ADA ANSI/ICC A117.1 requirements.

Job Name _____
 Model Specified _____ Quantity _____
 Variations Specified _____
 Date _____



Features & Benefits:

- 4" centerset deck mount mixing faucet w/ polished chrome plated brass body and integral spout
- 2.2 GPM aerator, Series 3 (B-0199-03)
- Metering cartridges
- Adjustable metering cycle, 10 to 30 seconds
- Push button (hot & cold) caps w/ vandal resistant screws
- 1/2" NPSM male inlets
- Material: Polished chrome plated brass body & spout and chrome plated metal caps

Product Compliance:

- ASME A112.18.1 / CSA B125.1
- NSF 61 - Section 9
- NSF 372 (Low Lead Content)
- ANSI A117.1 (ADA)



Warranty: One Year (Limited)

Performance Data:

- Pressure: 20 - 125 psi
- Temperature: 40 °F - 140 °F
- Flow Rate: 2.2 GPM @ 60 psi
- Water Consumption: @ 10 sec = .37 gal
@ 15 sec = .55 gal



ADA Compliant

Optional Outlets (Series 3 / VR Series 8)

GPM	Aerated	Non-Aerated (Laminar)	VR Aerated	VR Non-Aerated (VR Laminar)	Optional Cartridges
0.35	N/A	<input type="checkbox"/> B-0199-03-N035	N/A	<input type="checkbox"/> B-0199-08-N035	<input type="checkbox"/> Push Button Metering (Standard)
0.5	N/A	<input type="checkbox"/> B-0199-03-N05	N/A	<input type="checkbox"/> B-0199-08-N05	<input type="checkbox"/> Pivot Action Metering
1.0	N/A	N/A	N/A	<input type="checkbox"/> B-0199-08-LF-10	<input type="checkbox"/> Wrist Action Metering
1.5	<input type="checkbox"/> B-0199-03-WS	N/A	<input type="checkbox"/> B-0199-08-WS	N/A	
2.2	Standard	<input type="checkbox"/> B-0199-26	<input type="checkbox"/> B-0199-08	<input type="checkbox"/> B-0199-28	

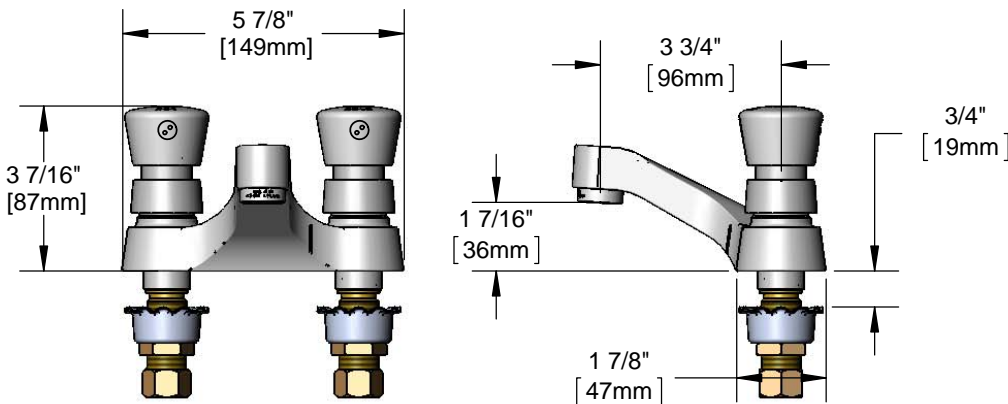




Architect/Engineering Specifications:

4" centerset deck mount mixing faucet, polished chrome plated brass body with integral spout, VR 0.5 GPM non-aerated spray device, metering cartridges, push button caps and 1/2" NPSM male inlets with coupling nuts. Certified to ASME A112.18.1/CSA B125.1, NSF 61-Section 9 and NSF 372. Meets ADA ANSI/ICC A117.1 requirements.

Job Name _____
 Model Specified _____ Quantity _____
 Variations Specified _____
 Date _____



Features & Benefits:

- 4" centerset deck mount mixing faucet, polished chrome plated brass body w/ integral spout
- VR 0.5 GPM non-aerated spray device, Series 8 (B-0199-08-N05)
- Metering cartridges
- Adjustable metering cycle, 10 to 30 seconds
- Push button (hot & cold) caps w/ vandal resistant screws
- 1/2" NPSM male inlets w/ coupling nuts
- Material: polished chrome plated brass body w/ spout, chrome plated metal caps

Product Compliance:

- ASME A112.18.1 / CSA B125.1
- NSF 61 - Section 9
- NSF 372 (Low Lead Content)
- ANSI A117.1 (ADA)



Warranty: One Year (Limited)

Performance Data:

- Pressure: 20 - 125 psi
- Temperature: 40°F - 140°F
- Flow Rate: 0.5 GPM @ 60 psi
- Water Consumption: @10 sec= 0.8 gal
@15 sec= .13 gal



Optional Outlets (Series 3 / VR Series 8)

GPM	Aerated	Non-Aerated (Laminar)	VR Aerated	VR Non-Aerated (VR Laminar)	Optional Cartridges
0.35	N/A	<input type="checkbox"/> B-0199-03-N035	N/A	<input type="checkbox"/> B-0199-08-N035	<input type="checkbox"/> Push Button Metering (Standard)
0.5	N/A	<input type="checkbox"/> B-0199-03-N05	N/A	Standard	<input type="checkbox"/> Pivot Action Metering
1.0	N/A	N/A	N/A	<input type="checkbox"/> B-0199-08-LF10	<input type="checkbox"/> Wrist Action Metering
1.5	<input type="checkbox"/> B-0199-03-WS	N/A	<input type="checkbox"/> B-0199-08-WS	<input type="checkbox"/> B-0199-08-LF15	
2.2	<input type="checkbox"/> B-0199-03	<input type="checkbox"/> B-0199-26	<input type="checkbox"/> B-0199-08	<input type="checkbox"/> B-0199-28	

