



T&S BRASS AND BRONZE WORKS, INC.

2 Saddleback Cove / P.O. Box 1088
Travelers Rest, SC 29690

Model No.

B-0674-BSTP

Item No.

Travelers Rest, SC: 800-476-4103 • Simi Valley, CA: 800-423-0150 • Fax: 864-834-3518 • www.tsbrass.com



ADA Compliant

This Space for Architect/Engineer Approval

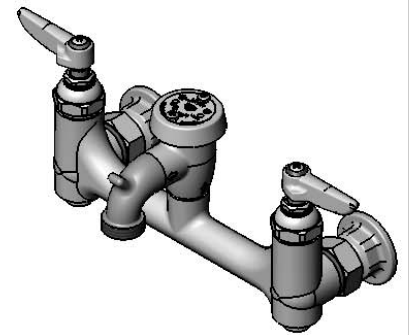
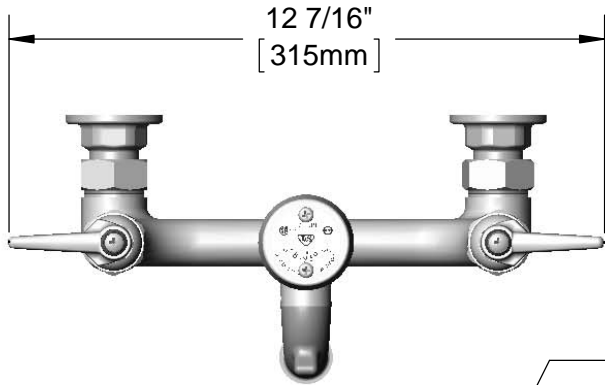
Job Name _____ Date _____

Model Specified _____ Quantity _____

Customer/Wholesaler _____

Contractor _____

Architect/Engineer _____

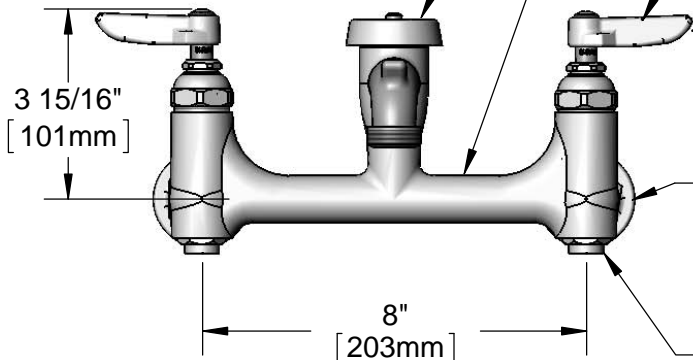


B-0969
1/2" NPT Vacuum
Breaker

Polished Chrome
Finish on Faucet
Body & Spout

Pail Hook Spout
w/ Garden Hose
Male Outlet

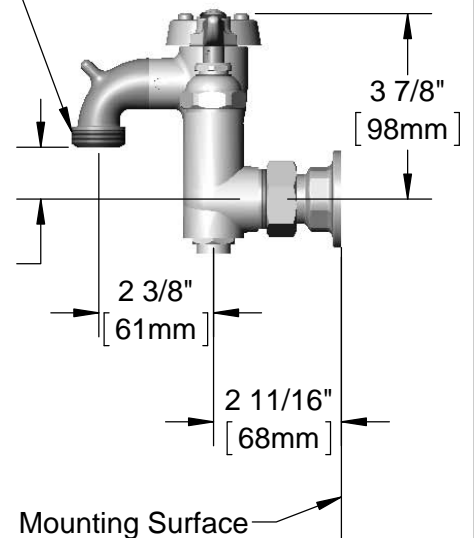
Eterna Cartridges w/
Spring Checks &
Lever Handles w/
Color Coded Indexes



Ø 2" [51mm]
Flanges w/
1/2" NPT
Female Inlets

Built-In Service
Stops

Adjustable From
7 3/4" to 8 1/4"
[197mm to 210mm]



Mounting Surface

Product Specifications:

Wall Mount Service Sink Faucet, Eterna Cartridges w/ Spring Checks, Lever Handles, Pail Hook Spout w/ Garden Hose Male Outlet, Polish Chrome Finish, Built-In Service Stops & 1/2" NPT Female Adjustable Inlets

Product Compliance:

ASME A112.18.1 / CSA B125.1
NSF 61 Exempt (Non-Potable)
ANSI A117.1 (ADA)
ASSE 1001 (VB)



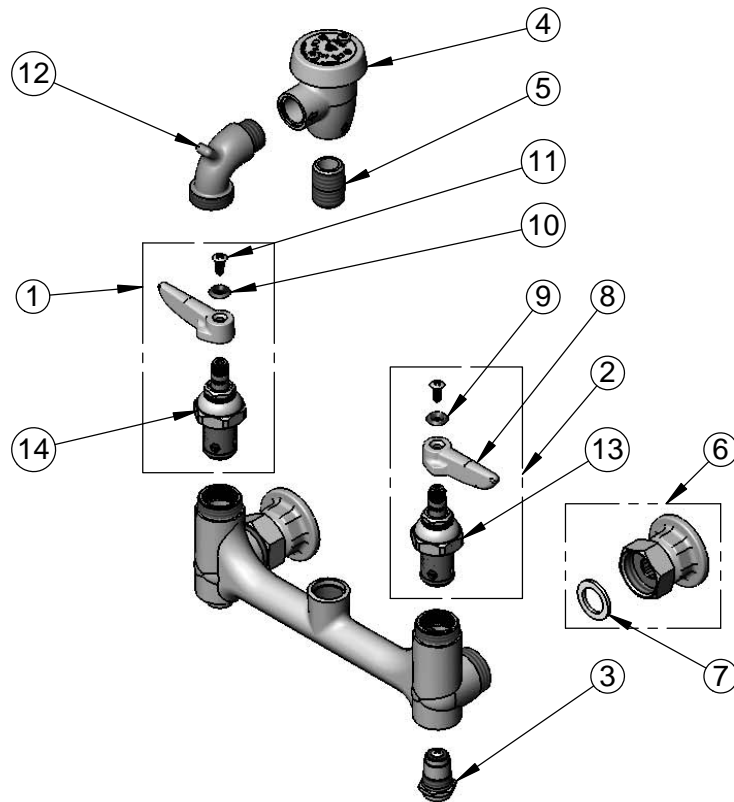
T&S BRASS AND BRONZE WORKS, INC.
 2 Saddleback Cove / P.O. Box 1088
 Travelers Rest, SC 29690

Model No.
B-0674-BSTP

Item No.

Travelers Rest, SC: 800-476-4103 • Simi Valley, CA: 800-423-0150 • Fax: 864-834-3518 • www.tsbrass.com

ITEM NO.	SALES NO.	DESCRIPTION
1	002712-40	Eterna Cartridge - RTC w/ Spring Check, Handle, Index & Screw
2	002711-40	Eterna Cartridge - LTC w/ Spring Check, Handle, Index & Screw
3	163A	Built-in Service Stop
4	B-0969	1/2" NPT Vacuum Breaker
5	002534-25	Close Nipple, 1/2" NPT
6	00AA	1/2" NPT Female Eccentric Flange
7	001019-45	Coupling Nut Washer
8	001638-45	Lever Handle
9	001660-45	Blue Index-CW
10	001661-45	Red Index-HW
11	000922-45	Lever Handle Screw
12	000270-40	Spout, Garden Hose Male Outlet
13	012442-40	Eterna Cartridge - LTC w/ Spring Check
14	012443-40	Eterna Cartridge - RTC w/ Spring Check



Product Specifications:

Wall Mount Service Sink Faucet, Eterna Cartridges w/ Spring Checks, Lever Handles, Pail Hook Spout w/ Garden Hose Male Outlet, Polish Chrome Finish, Built-In Service Stops & 1/2" NPT Female Adjustable Inlets

Product Compliance:

ASME A112.18.1 / CSA B125.1
 NSF 61 Exempt (Non-Potable)
 ANSI A117.1 (ADA)
 ASSE 1001 (VB)



T&S BRASS AND BRONZE WORKS, INC.

2 Saddleback Cove / P.O. Box 1088
Travelers Rest, SC 29690

Model No.

B-0674-CR-BSTP

Item No.

Travelers Rest, SC: 800-476-4103 • Simi Valley, CA: 800-423-0150 • Fax: 864-834-3518 • www.tsbrass.com

This Space for Architect/Engineer Approval

Job Name _____ Date _____

Model Specified _____ Quantity _____

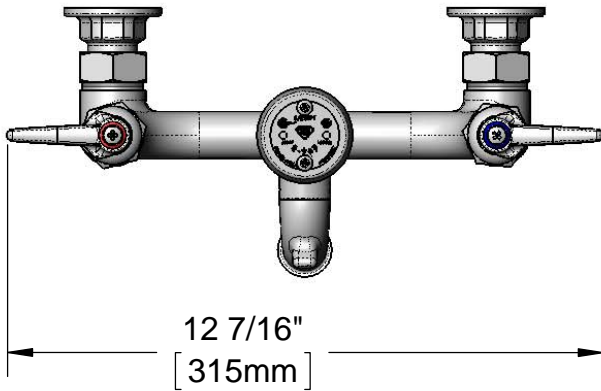
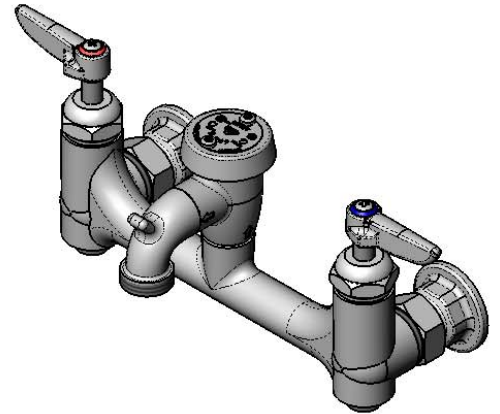
Customer/Wholesaler _____

Contractor _____

Architect/Engineer _____



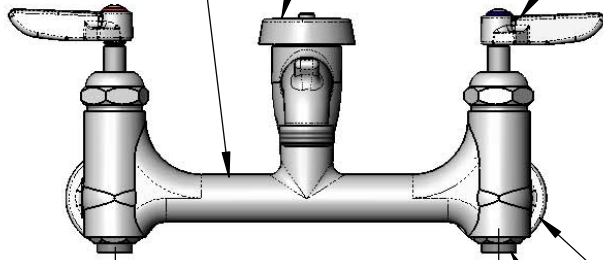
ADA Compliant



Polished Chrome Finish on Faucet Body & Spout

B-0969 1/2" NPT Atmospheric Vacuum Breaker

Cerama Cartridges w/ Check Valves & Lever Handles w/ Color Coded Indexes

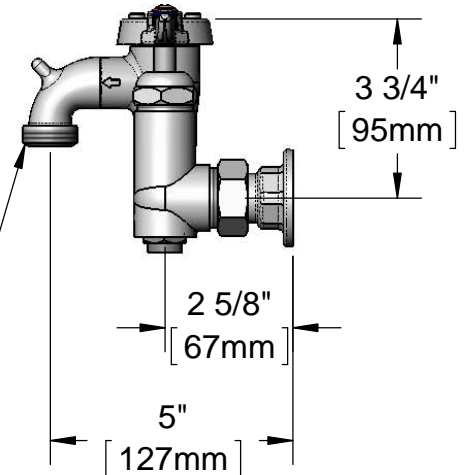


8" [203mm]
Adjustable From 7 3/4" to 8 1/4" [197mm to 210mm]

Male Garden Hose Connection

Ø 2" [51mm] Flanges w/ 1/2" NPT Female Inlets

163A Integral Service Stop



Product Specifications:

Polished Chrome Service Sink w/ Inlet Stops, Cerama Cartridges w/ Check Valves, Lever Handles, 1/2" NPT Vacuum Breaker & 1/2" NPT Female Inlets

Drawn

KJG

Checked

DHL

Approved

JHB

Scale:

1:4

Date:

04/27/12



T&S BRASS AND BRONZE WORKS, INC.

2 Saddleback Cove / P.O. Box 1088
Travelers Rest, SC 29690

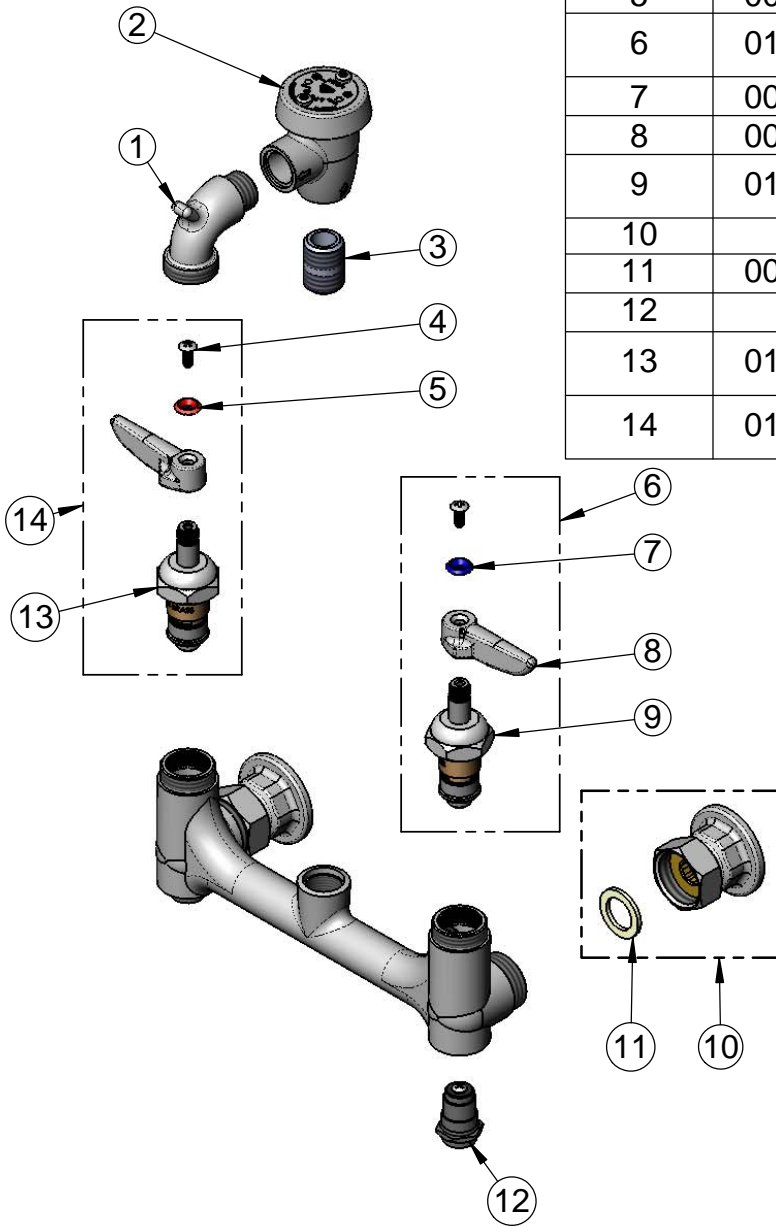
Model No.

B-0674-CR-BSTP

Item No.

Travelers Rest, SC: 800-476-4103 • Simi Valley, CA: 800-423-0150 • Fax: 864-834-3518 • www.tsbrass.com

ITEM NO.	SALES NO.	DESCRIPTION
1	000270-40	Spout, Garden Hose Outlet
2	B-0969	1/2" NPT Vacuum Breaker
3	002534-25	Close Nipple, 1/2" x 1 5/32" Lg Rough Chrome
4	000922-45	Lever Handle Screw
5	001661-45	Red Index-HW
6	012447-25	Cerama Cartridge, LTC w/ Check Valve, Handle, Index & Screw
7	001660-45	Blue Index-CW
8	001638-45	Lever Handle
9	012395-25	Cerama Cartridge, LTC w/ Bonnet & Check Valve
10	00AA	1/2" NPT Female Flange Assembly
11	001019-45	Coupling Nut Washer
12	163A	Built-in Service Stop Assembly
13	012394-25	Cerama Cartridge, RTC w/ Bonnet & Check Valve
14	012446-25	Cerama Cartridge, RTC w/ Check Valve, Handle, Index & Screw



Product Specifications:

Polished Chrome Service Sink w/ Inlet Stops, Cerama Cartridges w/ Check Valves, Lever Handles, 1/2" NPT Vacuum Breaker & 1/2" NPT Female Inlets

Drawn

KJG

Checked

DHL

Approved

JHB

Scale:

NTS

Date:

04/27/12