



T&S BRASS AND BRONZE WORKS, INC.
 2 Saddleback Cove / P.O. Box 1088
 Travelers Rest, SC 29690

Model No.
B-0669-POL

Item No.

Travelers Rest, SC: 800-476-4103 • Simi Valley, CA: 800-423-0150 • Fax: 864-834-3518 • www.tsbrass.com



ADA Compliant

This Space for Architect/Engineer Approval

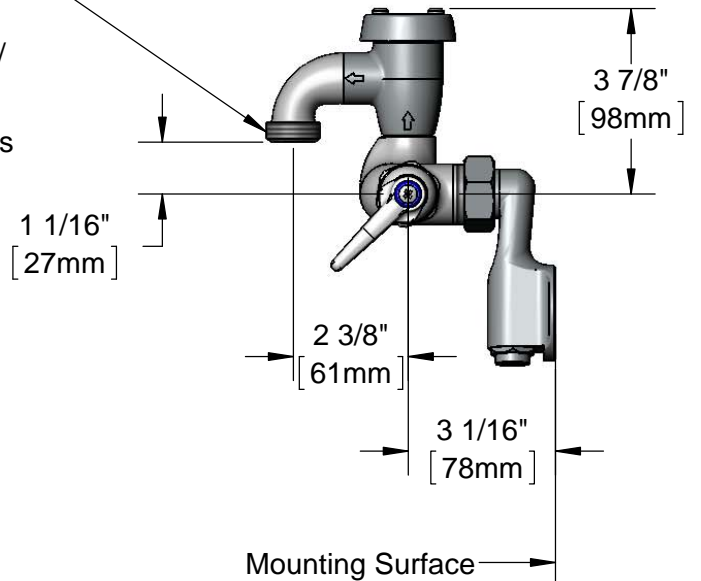
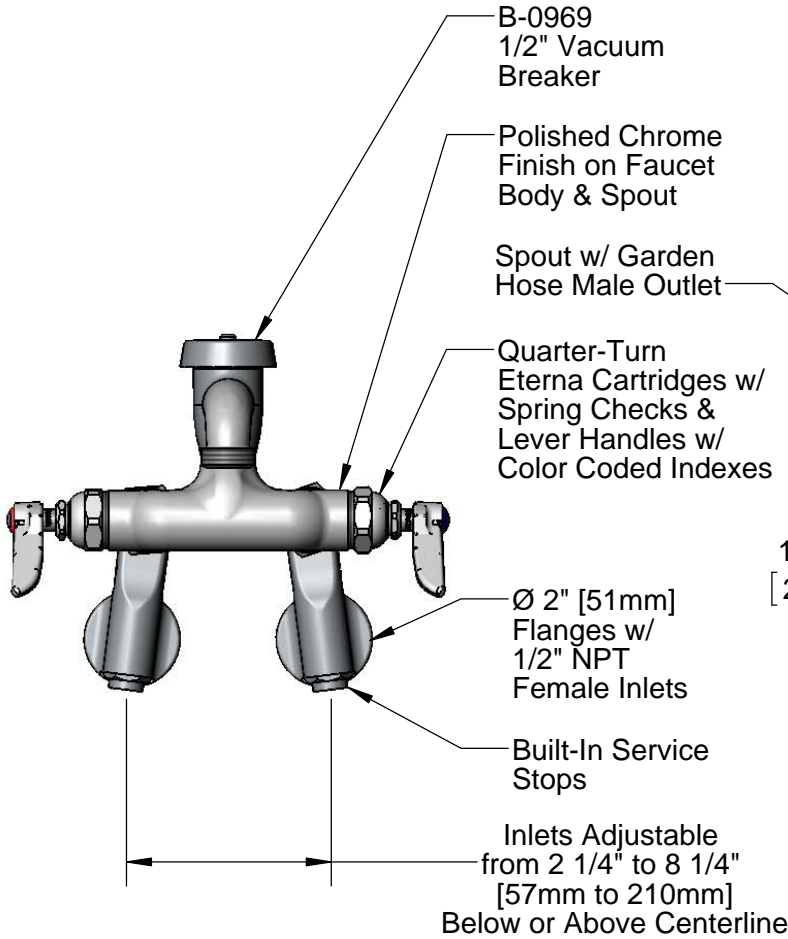
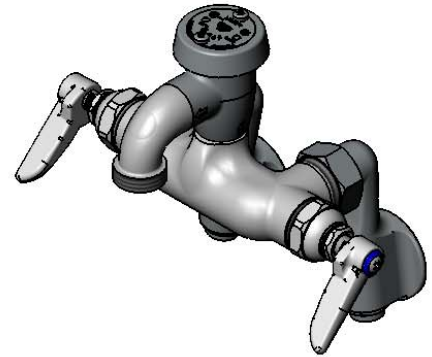
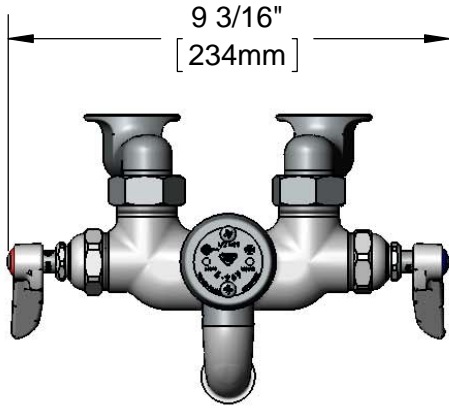
Job Name _____ Date _____

Model Specified _____ Quantity _____

Customer/Wholesaler _____

Contractor _____

Architect/Engineer _____



Product Specifications:
 Wall Mount Service Sink Faucet, Quarter-Turn Eterna Cartridges w/ Spring Checks, Lever Handles, Spout w/ Garden Hose Male Outlet, Polished Chrome Finish, 1/2" Vacuum Breaker & 1/2" NPT Female Adjustable Inlets w/ Built-In Service Stops

Product Compliance:
 ASME A112.18.1 / CSA B125.1
 NSF 61 - Section 9
 NSF 372 (Low Lead Content)
 ANSI A117.1 (ADA)
 ASSE 1001 (VB)



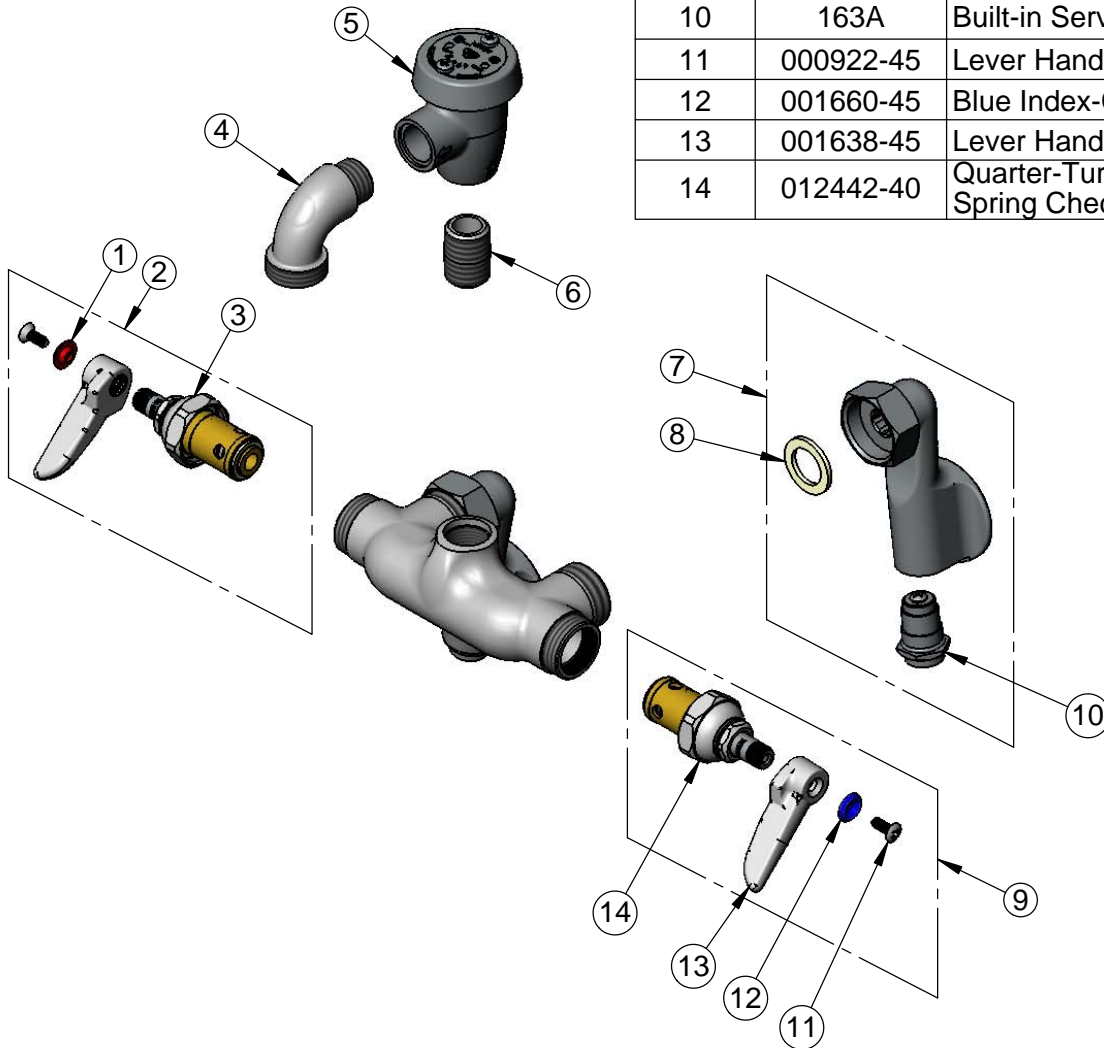
T&S BRASS AND BRONZE WORKS, INC.
 2 Saddleback Cove / P.O. Box 1088
 Travelers Rest, SC 29690

Model No.
B-0669-POL

Item No.

Travelers Rest, SC: 800-476-4103 • Simi Valley, CA: 800-423-0150 • Fax: 864-834-3518 • www.tsbrass.com

ITEM NO.	SALES NO.	DESCRIPTION
1	001661-45	Red Index-HW
2	002712-40	Quarter-Turn Eterna Cartridge, RTC w/ Spring Check, Handle, Index & Screw
3	012443-40	Quarter-Turn Eterna Cartridge, RTC w/ Spring Check
4	001618-40	Spout, Short
5	B-0969	1/2" NPT Vacuum Breaker
6	002534-25	Close Nipple, 1/2" NPT
7	00XX	1/2" NPT Fem. Adj. Arm Inlet w/ Screwdriver Stop
8	001019-45	Coupling Nut Washer
9	002711-40	Quarter-Turn Eterna Cartridge, LTC w/ Spring Check, Handle, Index & Screw
10	163A	Built-in Service Stop
11	000922-45	Lever Handle Screw
12	001660-45	Blue Index-CW
13	001638-45	Lever Handle
14	012442-40	Quarter-Turn Eterna Cartridge, LTC w/ Spring Check



Product Specifications:

Wall Mount Service Sink Faucet, Quarter-Turn Eterna Cartridges w/ Spring Checks, Lever Handles, Spout w/ Garden Hose Male Outlet, Polished Chrome Finish, 1/2" Vacuum Breaker & 1/2" NPT Female Adjustable Inlets w/ Built-In Service Stops

Product Compliance:

ASME A112.18.1 / CSA B125.1
 NSF 61 - Section 9
 NSF 372 (Low Lead Content)
 ANSI A117.1 (ADA)
 ASSE 1001 (VB)