



T&S BRASS AND BRONZE WORKS, INC.
 2 SADDLEBACK COVE / P.O. BOX 1088 / TRAVELERS REST, SC 29690
 PHONE 800-476-4103 - FAX 864- 834-3518



Model No.

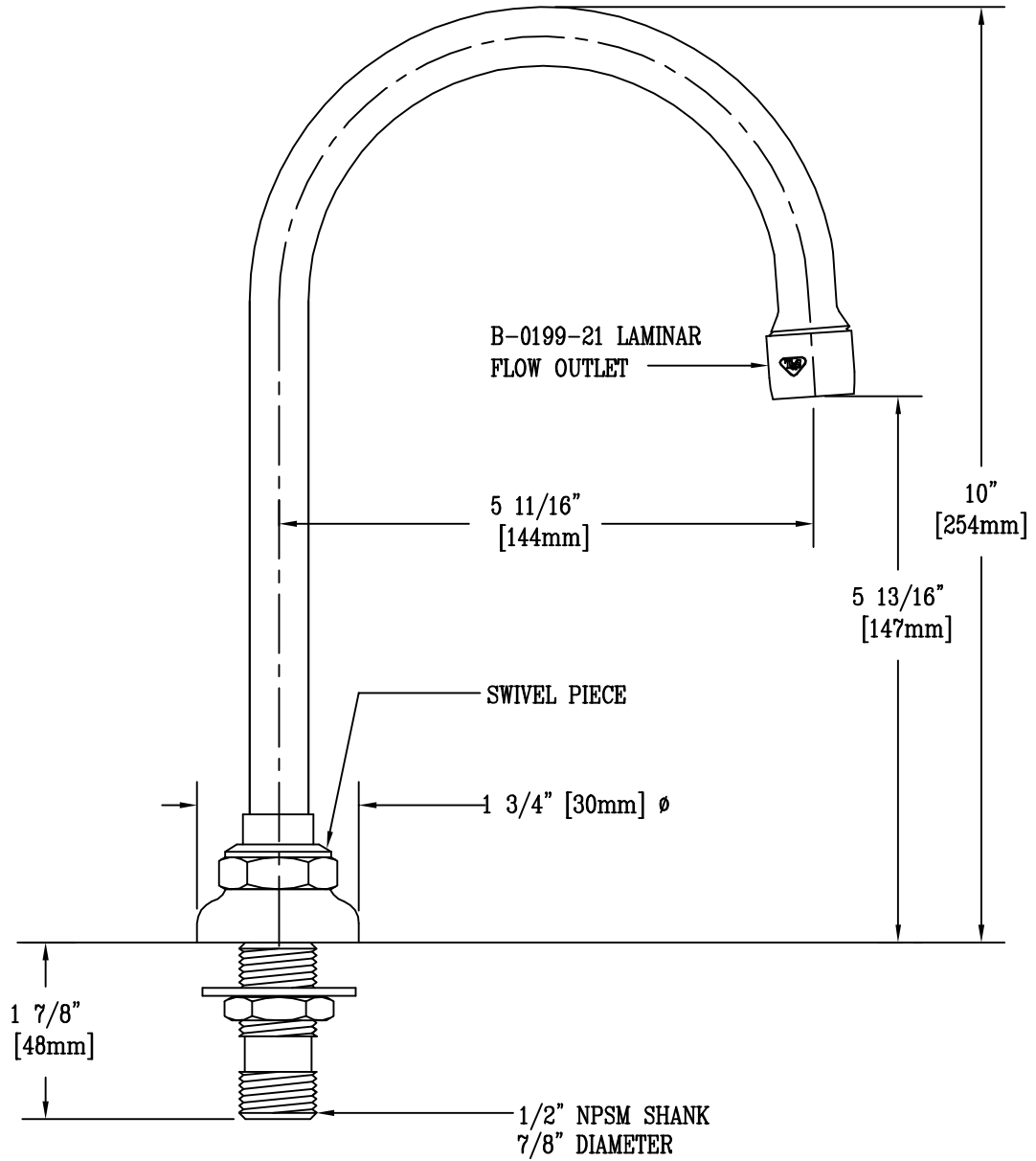
B-0546

RELIABILITY
 BUILT IN

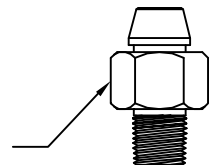
Job Name:

Architect/Engineer Approval:

Notes:



150A TAILPIECE
 AND NUT FURNISHED
 FOR OPTIONAL
 1/4" NPT CONNECTION



Product Description:

Drawn:

Checked

Scale:

LEL

JKD

1 : 2

Approved

Date:

MVW

06/27/02

DECK MOUNT DUMMY SWIVEL GOOSENECK WITH
 LAMINAR FLOW OUTLET



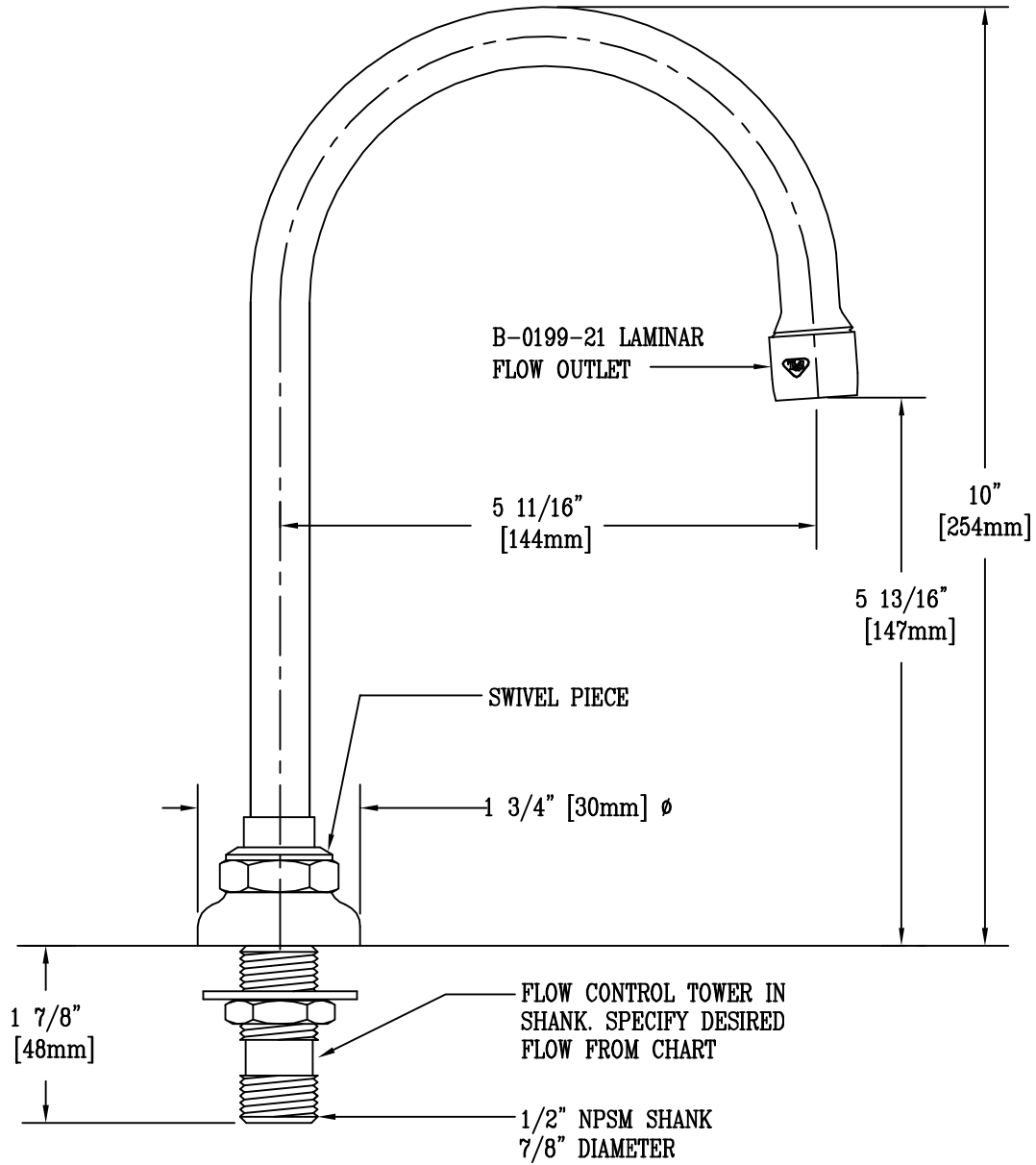
T&S BRASS AND BRONZE WORKS, INC.
 2 SADDLEBACK COVE / P.O. BOX 1088 / TRAVELERS REST, SC 29690
 PHONE 800-476-4103 - FAX 864- 834-3518



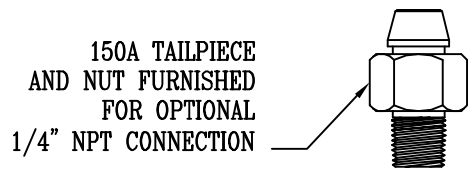
Model No.
B-0546-F
**RELIABILITY
 BUILT IN**

Job Name: _____ Architect/Engineer Approval: _____

Notes: _____



FLOW (GPM±15%)	SUFFIX	SPECIFY
0.25	-03	B-0546-F03
0.40	-05	B-0546-F05
0.70	-07	B-0546-F07
0.90	-10	B-0546-F10
1.20	-12	B-0546-F12
1.40	-15	B-0546-F15
2.00	-20	B-0546-F20



Product Description: DECK MOUNT DUMMY SWIVEL GOOSENECK WITH LAMINAR FLOW OUTLET AND FLOW CONTROL OPTION	Drawn: PRJ	Checked: WJS	Scale: 1 : 2
	Approved: MVW	Date: 05/23/02	



T&S BRASS AND BRONZE WORKS, INC.

2 Saddleback Cove / P.O. Box 1088
Travelers Rest, SC 29690

Model No.

B-0546-133X-AER

Item No.

Travelers Rest, SC: 800-476-4103 • Simi Valley, CA: 800-423-0150 • Fax: 864-834-3518 • www.tsbrass.com

This Space for Architect/Engineer Approval

Job Name _____ Date _____

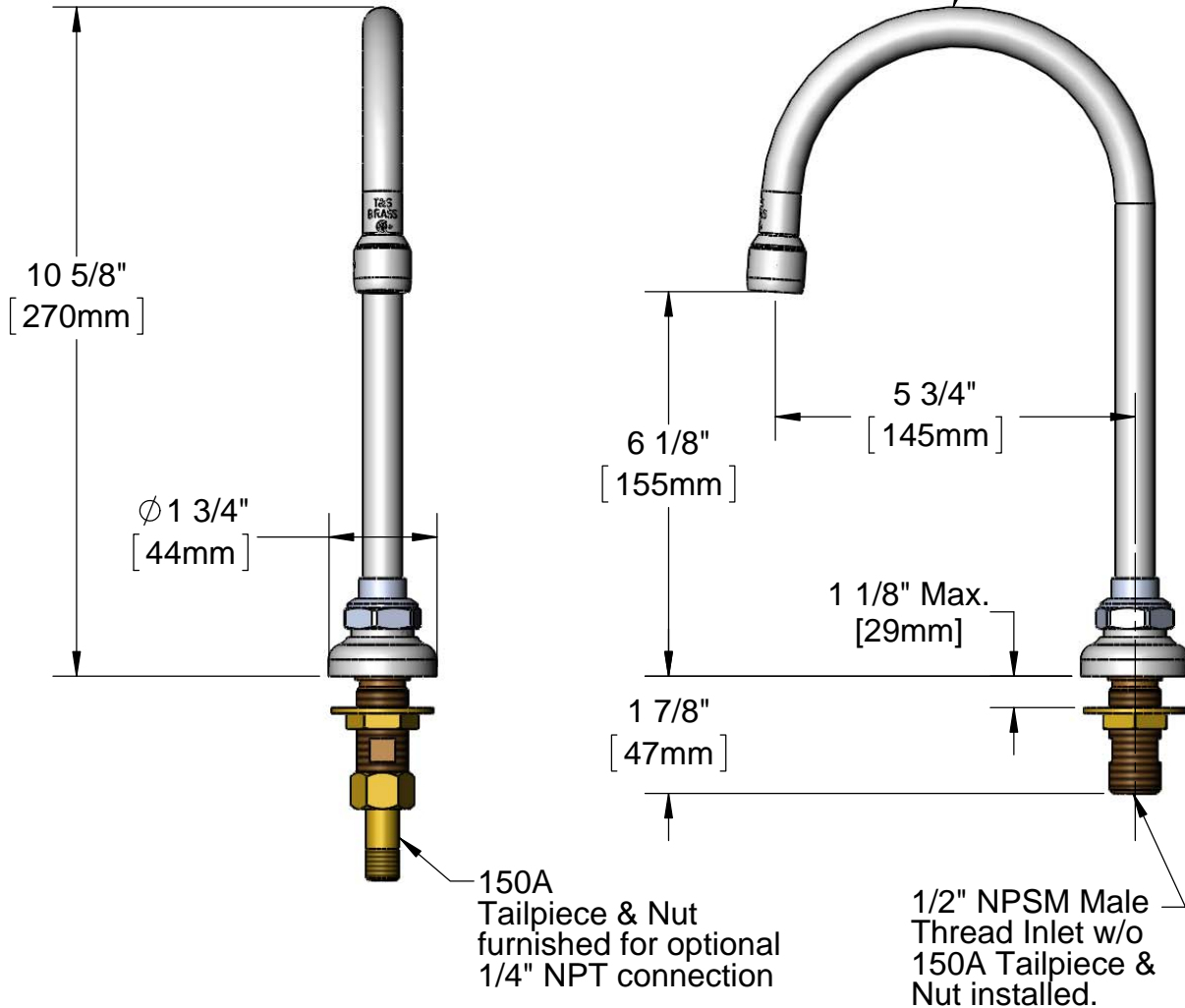
Model Specified _____ Quantity _____

Customer/Wholesaler _____

Contractor _____

Architect/Engineer _____

Swivel Gooseneck w/
2.2 GPM Aerator.
Converts to rigid with
furnished 014200-45
lock washer.



Rough-in Requirement:
Ø 1" [25mm] Hole

Product Specifications:
Deck Mount Dummy Swivel Gooseneck w/ 2.2 GPM Aerator

Drawn DMH	Checked KJG	Approved JHB
Scale: 1:3		Date: 02/24/12



T&S BRASS AND BRONZE WORKS, INC.

2 Saddleback Cove / P.O. Box 1088
Travelers Rest, SC 29690

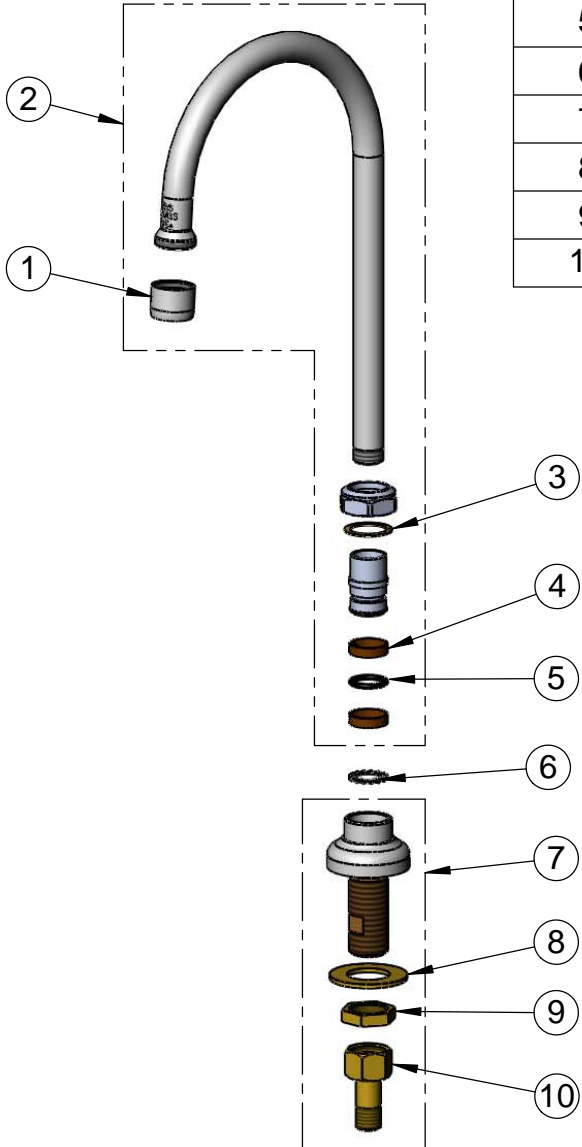
Model No.

B-0546-133X-AER

Item No.

Travelers Rest, SC: 800-476-4103 • Simi Valley, CA: 800-423-0150 • Fax: 864-834-3518 • www.tsbrass.com

ITEM NO.	SALES NO.	DESCRIPTION
1	B-0199-01	2.2 GPM Aerator, Female
2	133X-AER	133X Swivel Gooseneck w/ Aerator
3	009538-45	Swivel Washer
4	011429-45	Swivel Sleeves (2)
5	001074-45	O-Ring
6	014200-45	Star Washer, Anti-Rotation
7	B-0431	Deck Mount Swivel Base Outlet
8	000999-45	Brass Lock Washer
9	002954-45	Shank Lock Nut
10	150A	1/4" NPT Tailpiece & Nut



Product Specifications:
Deck Mount Dummy Swivel Gooseneck w/ 2.2 GPM Aerator

Drawn

DMH

Checked

KJG

Approved

JHB

Scale:

NTS

Date:

02/24/12