



T&S BRASS AND BRONZE WORKS, INC.

2 Saddleback Cove / P.O. Box 1088
Travelers Rest, SC 29690

Model No.

B-0225-LN

Item No.

Travelers Rest, SC: 800-476-4103 • Simi Valley, CA: 800-423-0150 • Fax: 864-834-3518 • www.tsbrass.com



ADA Compliant

This Space for Architect/Engineer Approval

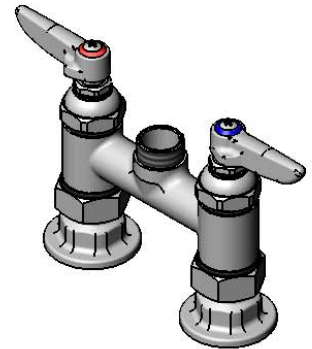
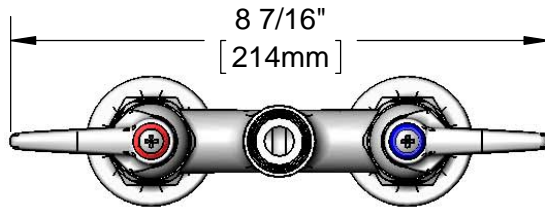
Job Name _____ Date _____

Model Specified _____ Quantity _____

Customer/Wholesaler _____

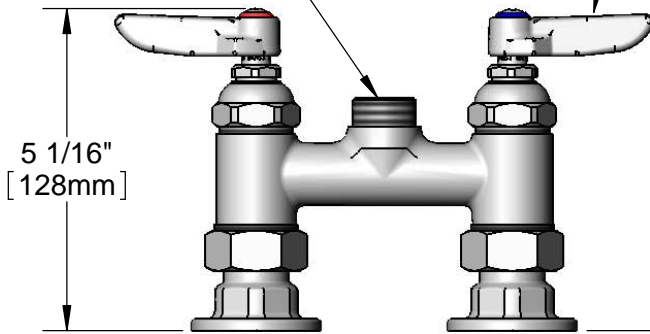
Contractor _____

Architect/Engineer _____



Eterna Cartridges &
Lever Handles w/
Color Coded Indexes

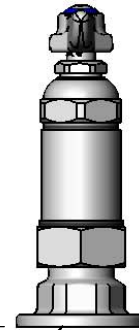
Swivel Outlet Accepts
Standard T&S Swing
Nozzles



Mounting Surface

4"
[102mm]
Adjustable From
3 3/4" to 4 1/4"
[95mm to 108mm]

Ø 2" [51mm]
Flanges w/
1/2" NPT
Female Inlets



Product Specifications:

4" Deck Mount Mixing Faucet, Eterna Cartridges, Lever Handles & 1/2" NPT Female Inlets, Less Nozzle

Product Compliance:

ASME A112.18.1 / CSA B125.1
NSF 61 - Section 9
NSF 372 (Low Lead Content)
ANSI A117.1 (ADA)



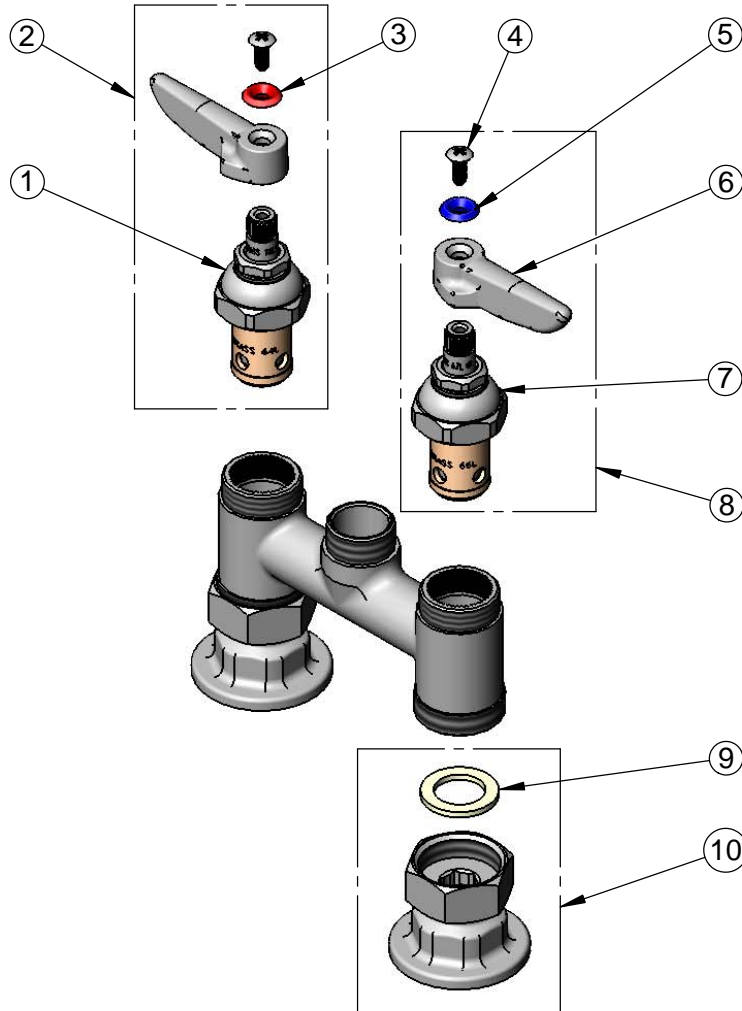
T&S BRASS AND BRONZE WORKS, INC.
 2 Saddleback Cove / P.O. Box 1088
 Travelers Rest, SC 29690

Model No.
B-0225-LN

Item No.

Travelers Rest, SC: 800-476-4103 • Simi Valley, CA: 800-423-0150 • Fax: 864-834-3518 • www.tsbrass.com

ITEM NO.	SALES NO.	DESCRIPTION
1	005960-40	Eterna Cartridge, RTC
2	002714-40	Eterna Cartridge, RTC w/ Handle, Index & Screw
3	001661-45	Red Index-HW
4	000922-45	Lever Handle Screw
5	001660-45	Blue Index-CW
6	001638-45	Lever Handle
7	005959-40	Eterna Cartridge, LTC
8	002713-40	Eterna Cartridge, LTC w/ Handle, Index & Screw
9	001019-45	Coupling Nut Washer
10	00AA	1/2" NPT Female Eccentric Flange



Product Specifications:
 4" Deck Mount Mixing Faucet, Eterna Cartridges, Lever Handles
 & 1/2" NPT Female Inlets, Less Nozzle

Product Compliance:
 ASME A112.18.1 / CSA B125.1
 NSF 61 - Section 9
 NSF 372 (Low Lead Content)
 ANSI A117.1 (ADA)



T&S BRASS AND BRONZE WORKS, INC.

2 Saddleback Cove / P.O. Box 1088
Travelers Rest, SC 29690



REG. #A2601
ISO #9001

Model No.

B-0225-EELN

Item No.

Travelers Rest, SC: 800-476-4103 Simi Valley, CA: 800-423-0150 Fax: 864-834-3518 www.tsbrass.com

This Space for Architect/Engineer Approval

Job Name _____ Date _____

Model Specified _____ Quantity _____

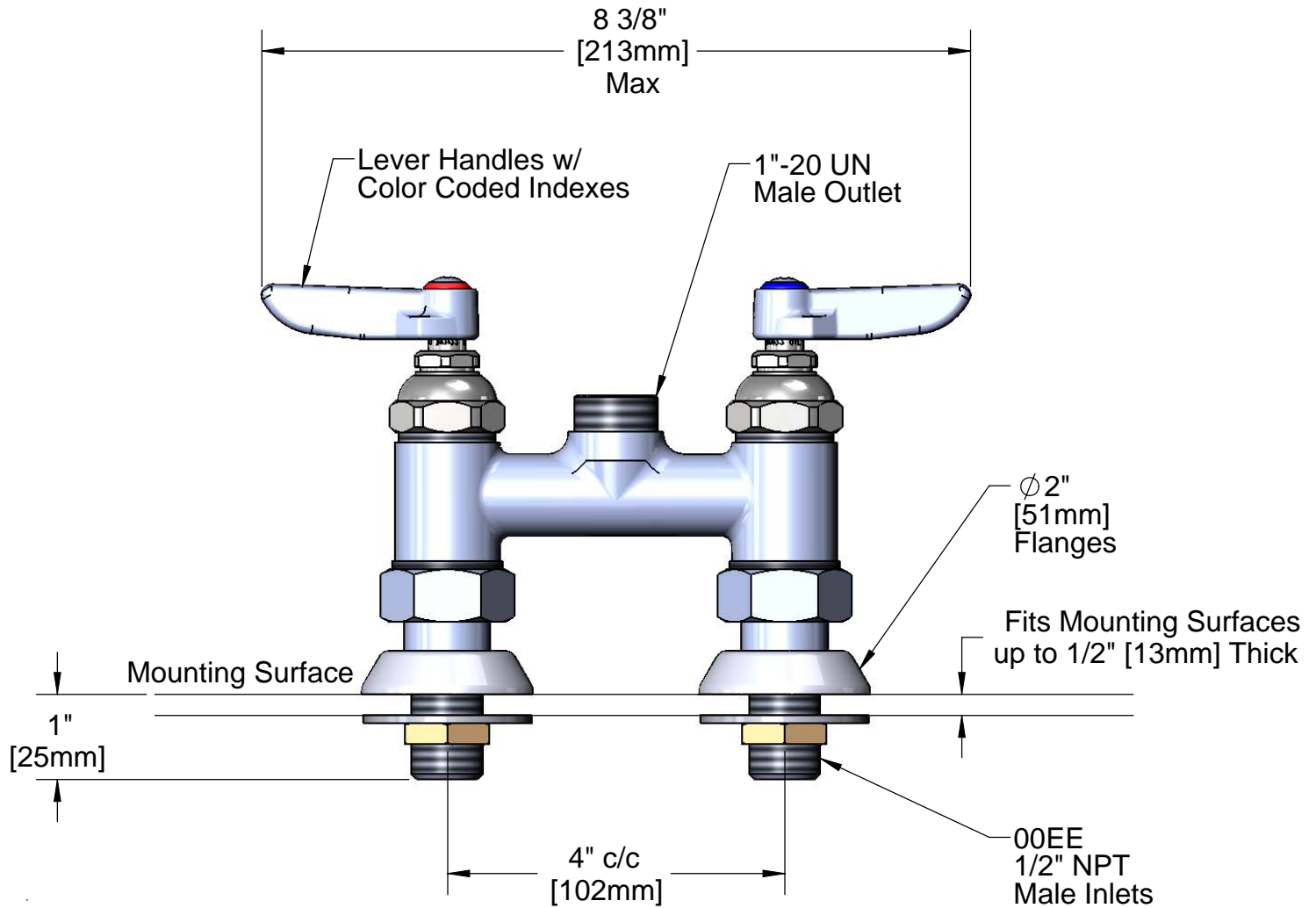
Customer/Wholesaler _____

Contractor _____

Architect/Engineer _____



ADA Compliant



Rough-In Requirement:
ϕ 1" [25mm] Holes

Product Specifications:
**4" c/c Deck Mount Faucet w/ 00EE
Male Inlets & Less Nozzle**

Drawn
KJG

Checked
DHL

Approved
JHB

Scale:

1:2

Date:

08/19/09



T&S BRASS AND BRONZE WORKS, INC.

2 Saddleback Cove / P.O. Box 1088
Travelers Rest, SC 29690



REG. #A2601
ISO #9001

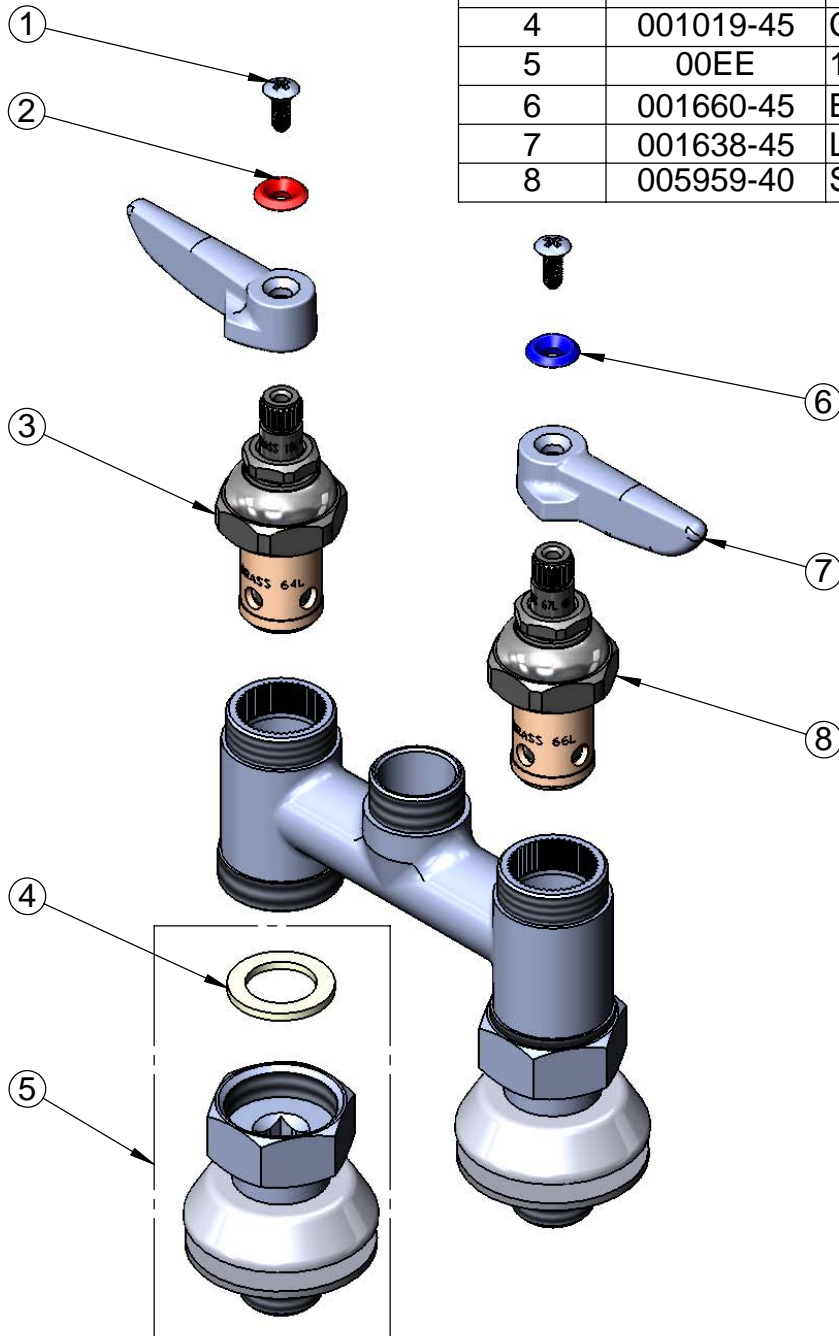
Model No.

B-0225-EELN

Item No.

Travelers Rest, SC: 800-476-4103 Simi Valley, CA: 800-423-0150 Fax: 864-834-3518 www.tsbrass.com

ITEM NO.	SALES NO.	DESCRIPTION
1	000922-45	Lever Handle Screw
2	001661-45	Red Index-HW
3	005960-40	Spindle Asm, Eterna "Hot"
4	001019-45	Coupling Nut Washer
5	00EE	1/2" NPT Male Inlet Assembly
6	001660-45	Blue Index-CW
7	001638-45	Lever Handle
8	005959-40	Spindle Asm. Eterna "Cold"



Product Specifications:
4" c/c Deck Mount Faucet w/ 00EE
Male Inlets & Less Nozzle

Drawn KJG	Checked DHL	Approved JHB
Scale: 1:4		Date: 08/19/09



T&S BRASS AND BRONZE WORKS, INC.

2 Saddleback Cove / P.O. Box 1088
Travelers Rest, SC 29690

Model No.

B-0225-CR-LN

Item No.

Travelers Rest, SC: 800-476-4103 • Simi Valley, CA: 800-423-0150 • Fax: 864-834-3518 • www.tsbrass.com

This Space for Architect/Engineer Approval

Job Name _____ Date _____

Model Specified _____ Quantity _____

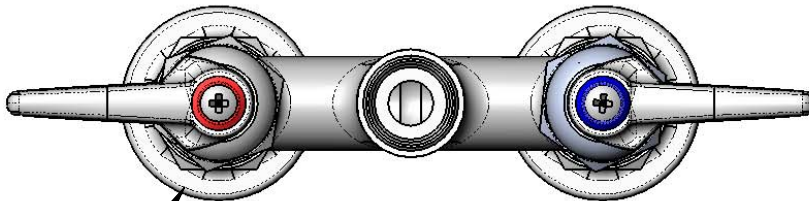
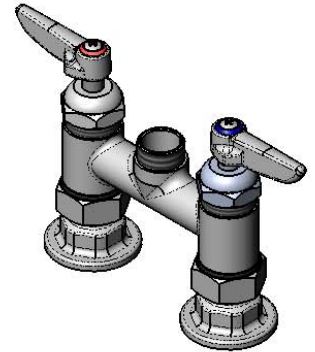
Customer/Wholesaler _____

Contractor _____

Architect/Engineer _____

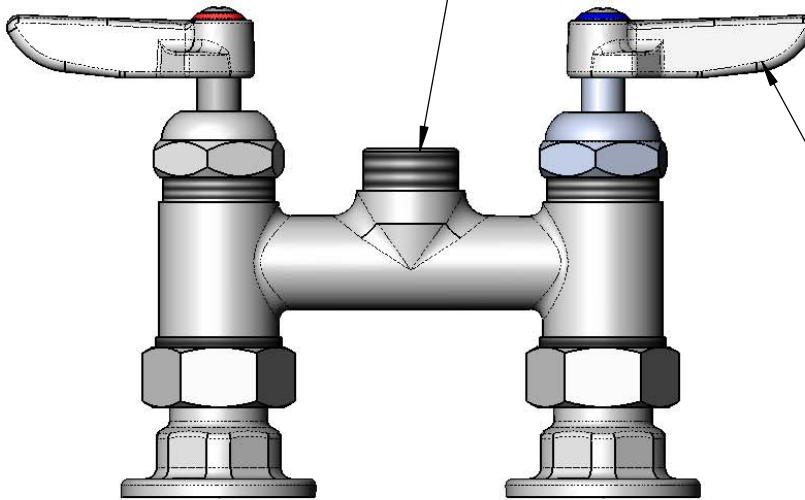


ADA Compliant



Ø 2" [51mm]
Flanges w/
1/2" NPT
Female Inlets

Swivel Outlet Accepts
Standard T&S Swing
Nozzles



Cerama Cartridges &
Lever Handles w/
Color Coded Indexes

4"
[102mm]

Adjustable From
3 3/4" to 4 1/4"
[95mm to 108mm]

Product Specifications:
4" c/c Deck Mount Faucet, Cerama Cartridges, Lever Handles
& 1/2" NPT Female Inlets

Drawn

KJG

Checked

GEF

Approved

JHB

Scale:

1:2

Date:

03/16/12



T&S BRASS AND BRONZE WORKS, INC.

2 Saddleback Cove / P.O. Box 1088
Travelers Rest, SC 29690

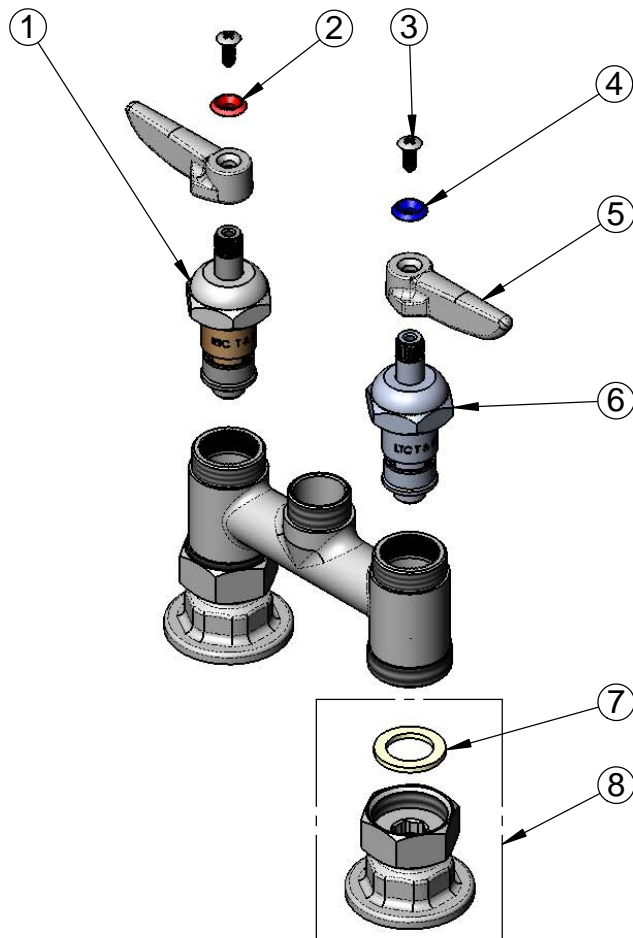
Model No.

B-0225-CR-LN

Item No.

Travelers Rest, SC: 800-476-4103 • Simi Valley, CA: 800-423-0150 • Fax: 864-834-3518 • www.tsbrass.com

ITEM NO.	SALES NO.	DESCRIPTION
1	011278-25	Cerama Cartridge RTC
2	001661-45	Red Index-HW
3	000922-45	Lever Handle Screw
4	001660-45	Blue Index-CW
5	001638-45	Lever Handle
6	011279-25	Cerama Cartridge LTC
7	001019-45	Coupling Nut Washer
8	00AA	Flange Assembly



Product Specifications:
4" c/c Deck Mount Faucet, Cerama Cartridges, Lever Handles
& 1/2" NPT Female Inlets

Drawn

KJG

Checked

GEF

Approved

JHB

Scale:

NTS

Date:

03/16/12