



# T&S BRASS AND BRONZE WORKS, INC.

2 Saddleback Cove / P.O. Box 1088  
Travelers Rest, SC 29690

Model No.

**017970-40**

Item No.

Travelers Rest, SC: 800-476-4103 • Simi Valley, CA: 800-423-0150 • Fax: 864-834-3518 • www.tsbrass.com

This Space for Architect/Engineer Approval

Job Name \_\_\_\_\_ Date \_\_\_\_\_

Model Specified \_\_\_\_\_ Quantity \_\_\_\_\_

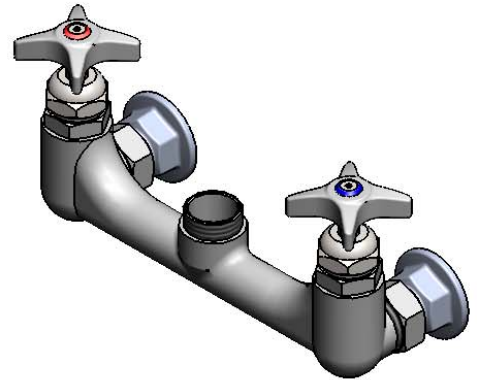
Customer/Wholesaler \_\_\_\_\_

Contractor \_\_\_\_\_

Architect/Engineer \_\_\_\_\_



**ADA Compliant**

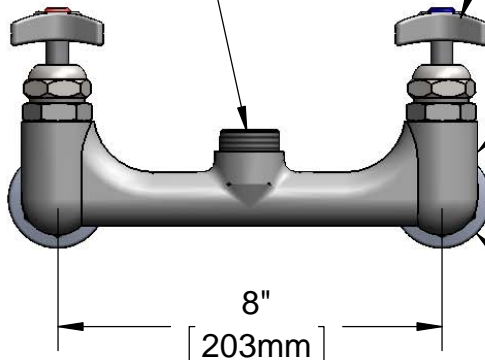


Swivel Outlet Accepts  
Big-Flo T&S Swing  
Nozzle & Big-Flo  
Add-On Faucets

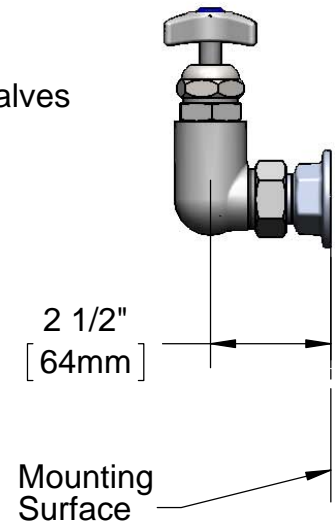
002521-45  
4-Arm Handles w/  
VR Screws & Color  
Coded Indexes

Faucet Body w/  
Integral Check Valves

Ø2"  
[51mm]  
Flanges w/  
3/4" NPT  
Female Inlets



8"  
[203mm]  
Adjustable From  
7 3/4" to 8 1/4"  
[197mm to 210mm]



**Product Specifications:**

8" c/c Wall Mount Big-Flo Faucet Assembly, Integral Check Valves,  
Vandal Resistant 4-Arm Handles & 00BB Wall Flanges

Drawn

**KJG**

Checked

**JRM**

Approved

**JHB**

Scale:

**1:4**

Date:

**12/19/11**



**T&S BRASS AND BRONZE WORKS, INC.**

2 Saddleback Cove / P.O. Box 1088  
Travelers Rest, SC 29690

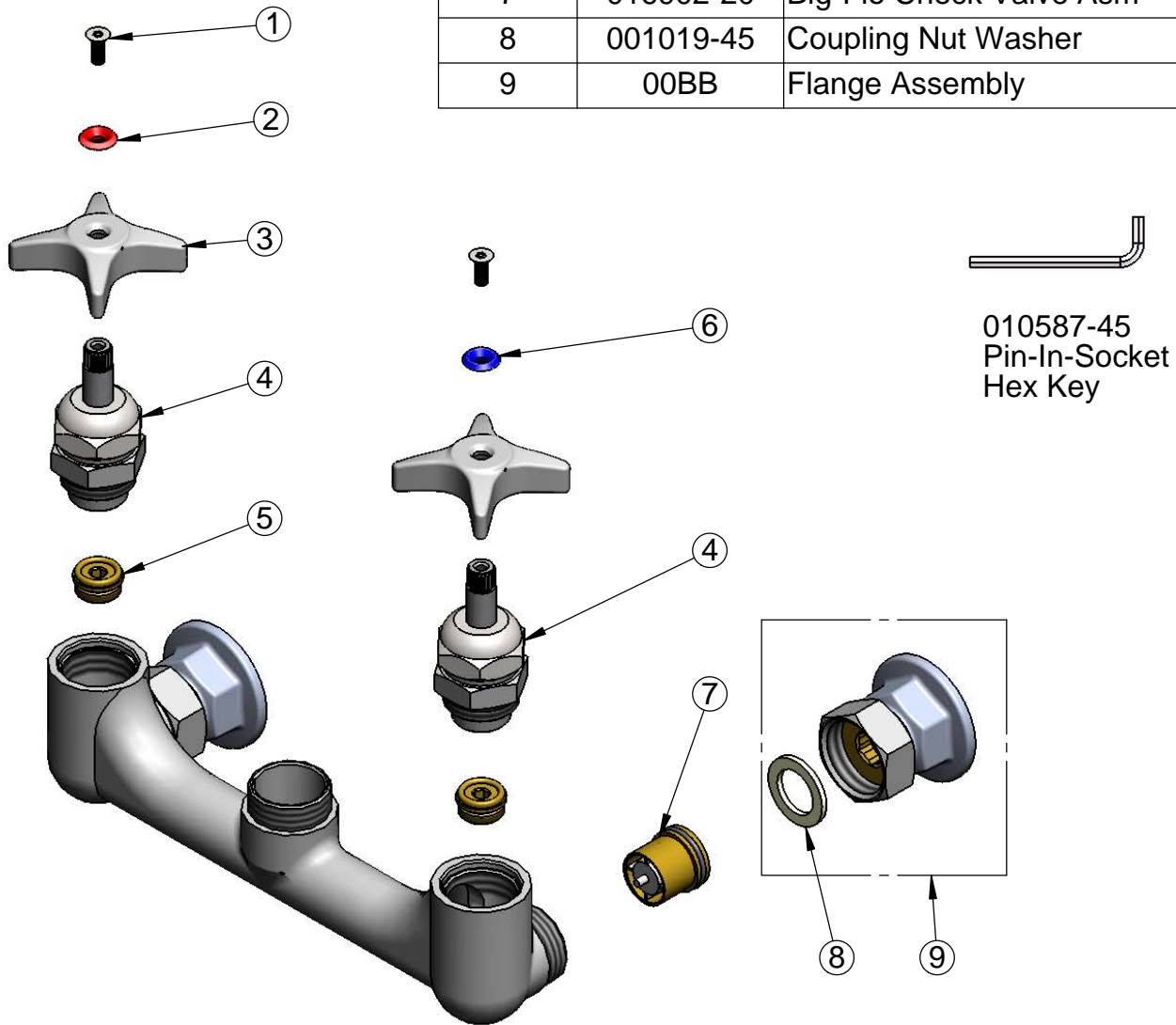
Model No.

**017970-40**

Item No.

Travelers Rest, SC: 800-476-4103 • Simi Valley, CA: 800-423-0150 • Fax: 864-834-3518 • www.tsbrass.com

ITEM NO.	SALES NO.	DESCRIPTION
1	B-VRS	VR Screws (x2) w/ Hex Key
2	001661-45	Red Index-HW
3	002521-45	4-Arm Handle
4	006482-40	Spindle Asm, B-0290 (RH)
5	000764-20	Seat, B-290 RM
6	001660-45	Blue Index-CW
7	016902-20	Big-Flo Check Valve Asm
8	001019-45	Coupling Nut Washer
9	00BB	Flange Assembly



Product Specifications:  
8" c/c Wall Mount Big-Flo Faucet Assembly, Integral Check Valves,  
Vandal Resistant 4-Arm Handles & 00BB Wall Flanges

Drawn <b>KJG</b>	Checked <b>JRM</b>	Approved <b>JHB</b>
Scale: <b>NTS</b>		Date: <b>12/19/11</b>