



# T&S BRASS AND BRONZE WORKS, INC.

2 Saddleback Cove / P.O. Box 1088  
Travelers Rest, SC 29690



REG. #A2601  
ISO #9001

Model No.  
**BL-4750-03**

Item No.

Travelers Rest, SC: 800-476-4103 Simi Valley, CA: 800-423-0150 Fax: 864-834-3518 www.tsbrass.com

This Space for Architect/Engineer Approval

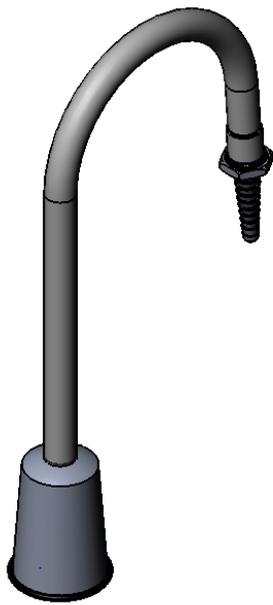
Job Name \_\_\_\_\_ Date \_\_\_\_\_

Model Specified \_\_\_\_\_ Quantity \_\_\_\_\_

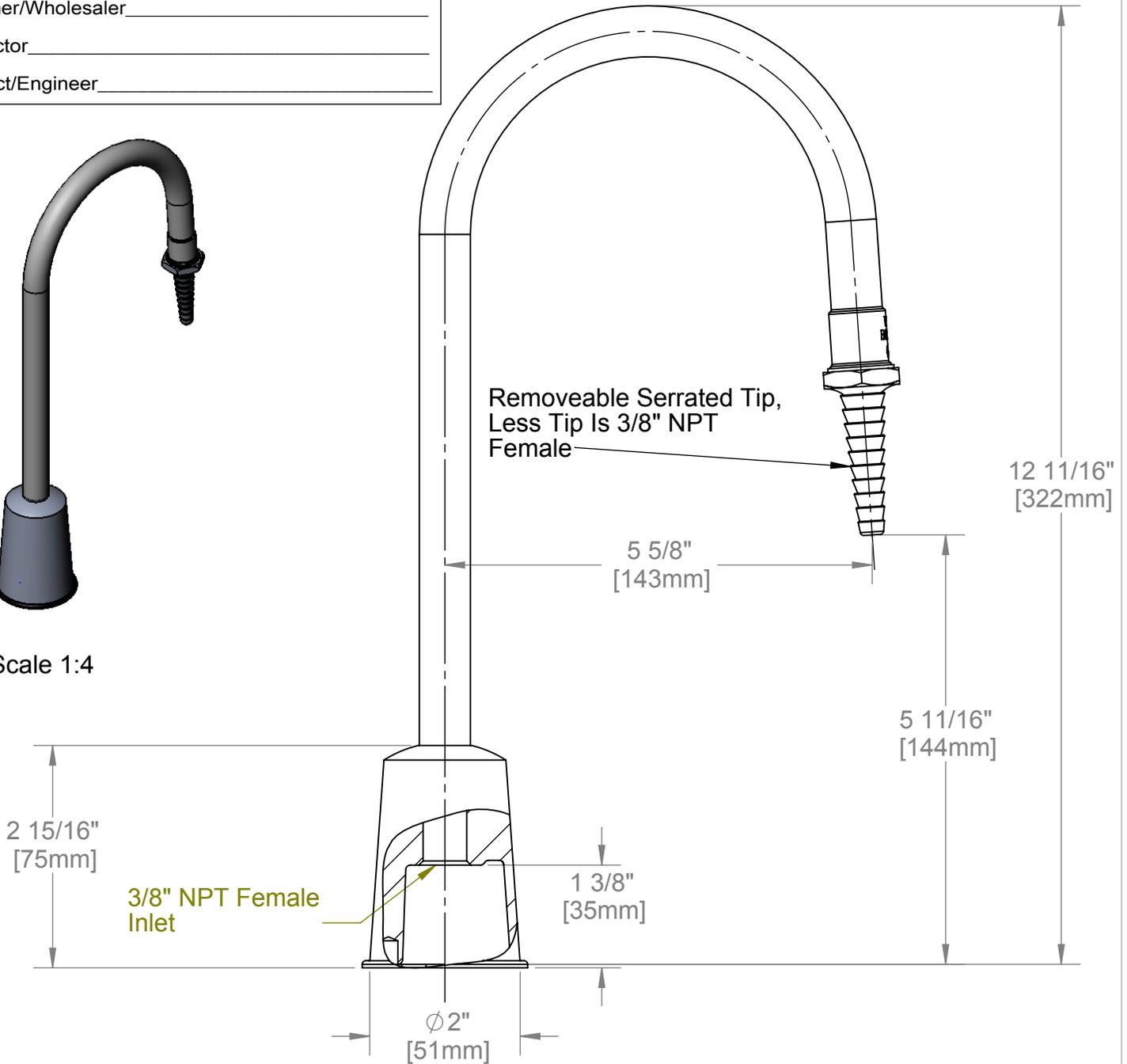
Customer/Wholesaler \_\_\_\_\_

Contractor \_\_\_\_\_

Architect/Engineer \_\_\_\_\_



Scale 1:4



Product Specifications:

**Laboratory Turret w/ Rigid Gooseneck,  
Serrated Tip & 3/8" NPT Female Inlet**

Drawn ARH	Checked JRM	Approved JHB
Scale: 1:2		Date: 01/10/07



# T&S BRASS AND BRONZE WORKS, INC.

2 Saddleback Cove / P.O. Box 1088  
Travelers Rest, SC 29690



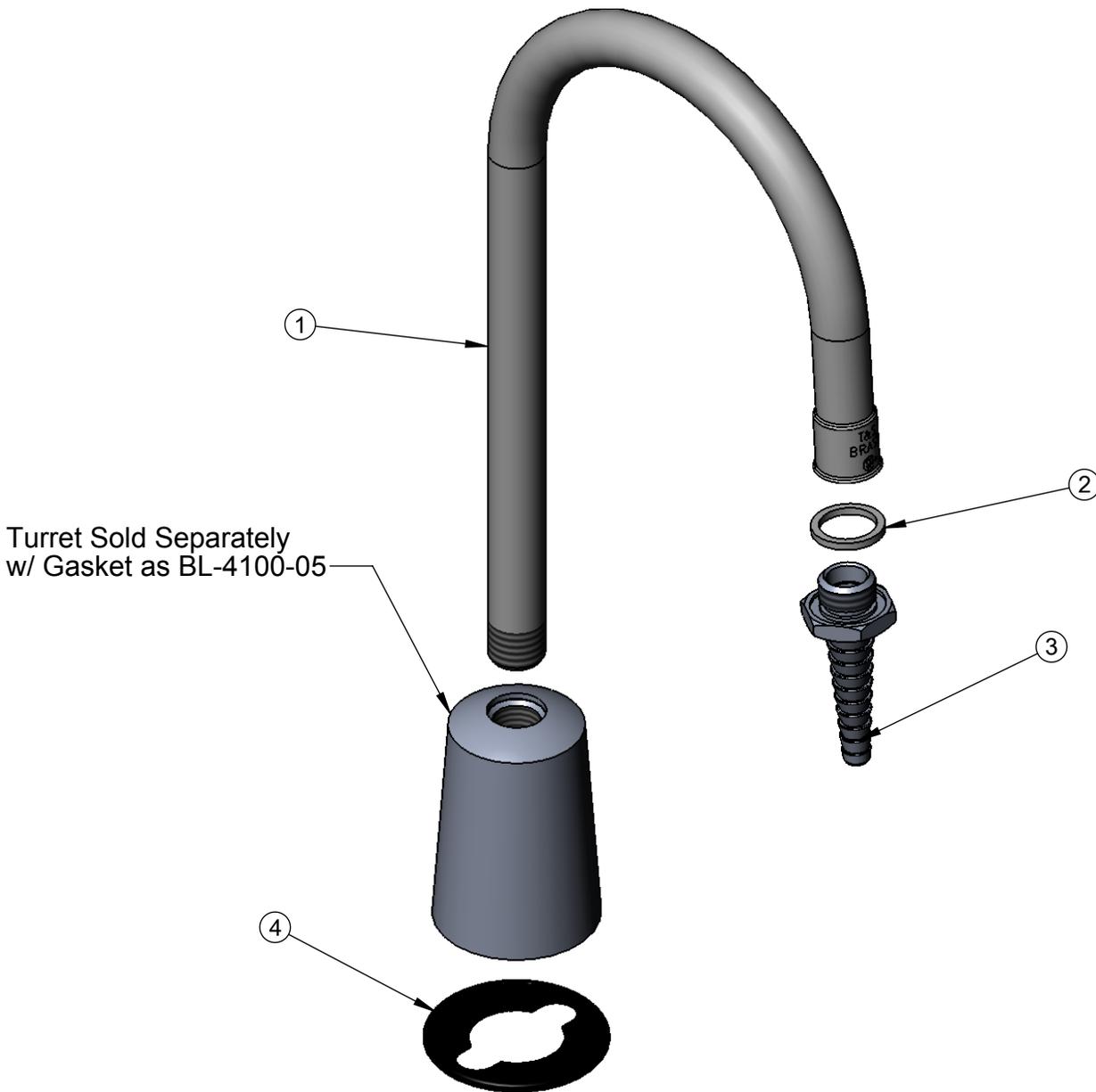
REG. #A2601  
ISO #9001

Model No.  
**BL-4750-03**

Item No.

Travelers Rest, SC: 800-476-4103 Simi Valley, CA: 800-423-0150 Fax: 864-834-3518 www.tsbrass.com

ITEM NO.	SALES NO.	DESCRIPTION
1	000398-20	Gooseneck, Pipe, Brass 3/8" IPS
2	009641-45	Washer, 7/8" OD X 11/16ID X 3/32THK
3	001658-40	Hose End, Serrated, Brass, PLTD
4	001158-45	Gasket, Polypropylene, Black



Product Specifications:

Laboratory Turret w/ Rigid Gooseneck,  
Serrated Tip & 3/8" NPT Female Inlet

Drawn <b>ARH</b>	Checked <b>JRM</b>	Approved <b>JHB</b>
Scale: <b>1:2</b>		Date: <b>01/10/07</b>



# T&S BRASS AND BRONZE WORKS, INC.

2 Saddleback Cove / P.O. Box 1088  
Travelers Rest, SC 29690



REG. #A2601  
ISO #9001

Model No.  
**BL-4750-04**

Item No.

Travelers Rest, SC: 800-476-4103 Simi Valley, CA: 800-423-0150 Fax: 864-834-3518 www.tsbrass.com

This Space for Architect/Engineer Approval

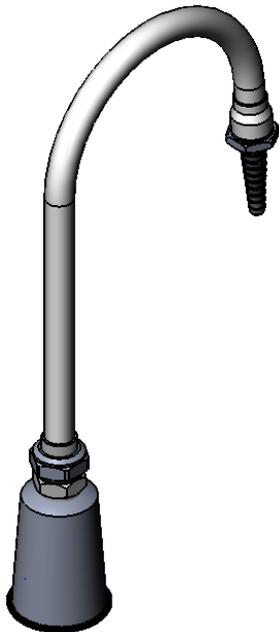
Job Name \_\_\_\_\_ Date \_\_\_\_\_

Model Specified \_\_\_\_\_ Quantity \_\_\_\_\_

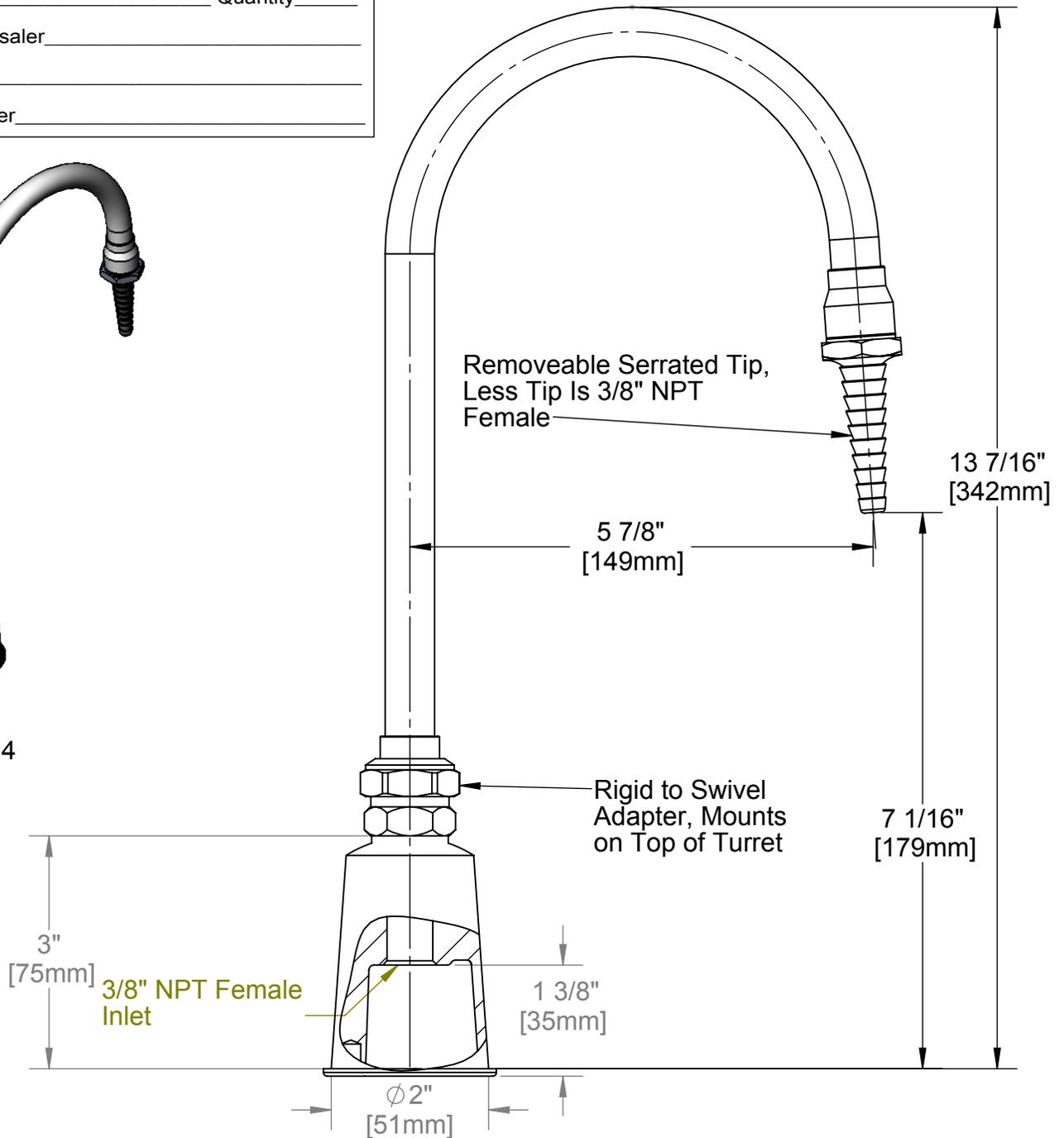
Customer/Wholesaler \_\_\_\_\_

Contractor \_\_\_\_\_

Architect/Engineer \_\_\_\_\_



Scale 1:4



Product Specifications:

**Laboratory Turret w/ Rigid Gooseneck,  
Serrated Tip & 3/8" NPT Female Inlet**

Drawn  
ARH

Checked  
JRM

Approved  
JHB

Scale:

1:2

Date:

01/10/007



# T&S BRASS AND BRONZE WORKS, INC.

2 Saddleback Cove / P.O. Box 1088  
Travelers Rest, SC 29690



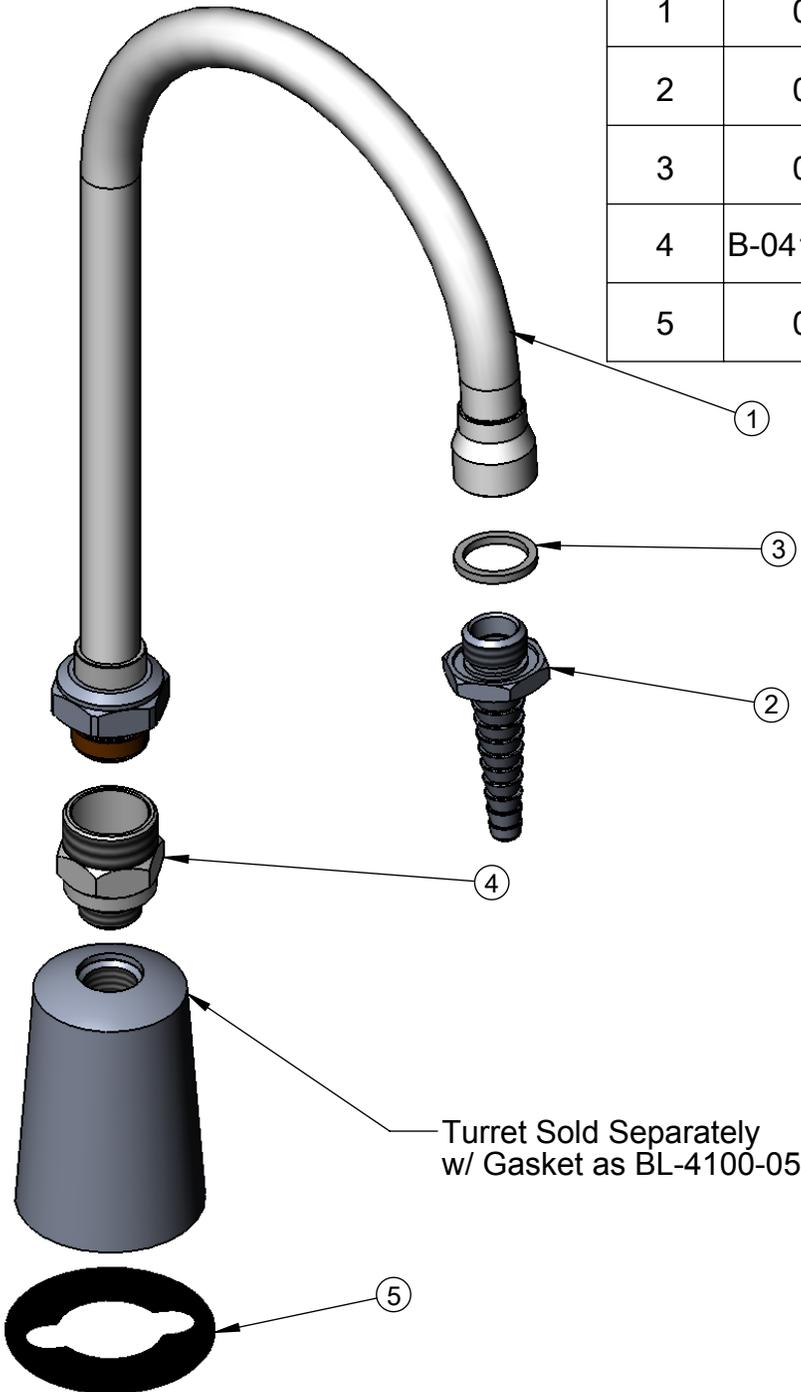
REG. #A2601  
ISO #9001

Model No.  
**BL-4750-04**

Item No.

Travelers Rest, SC: 800-476-4103 Simi Valley, CA: 800-423-0150 Fax: 864-834-3518 www.tsbrass.com

ITEM NO.	SALES NO.	DESCRIPTION
1	000325-40	BL-5570-5 6" Gooseneck
2	001658-40	Hose End, Serrated, Brass, PLTD
3	009641-45	Washer, 7/8" OD X 11/16ID X 3/32THK
4	B-0412/BL-5550-23	Rigid to Swivel Adapter
5	001158-45	Gasket, Polypropylene, Black



Turret Sold Separately  
w/ Gasket as BL-4100-05

### Product Specifications:

Laboratory Turret w/ Rigid Gooseneck,  
Serrated Tip & 3/8" NPT Female Inlet

Drawn <b>ARH</b>	Checked <b>JRM</b>	Approved <b>JHB</b>
Scale: <b>1:2</b>		Date: <b>01/10/007</b>



# T&S BRASS AND BRONZE WORKS, INC.

2 Saddleback Cove / P.O. Box 1088  
Travelers Rest, SC 29690



REG. #A2601  
ISO #9001

Model No.  
**BL-4750-07**

Item No.

Travelers Rest, SC: 800-476-4103 Simi Valley, CA: 800-423-0150 Fax: 864-834-3518 www.tsbrass.com

This Space for Architect/Engineer Approval

Job Name \_\_\_\_\_ Date \_\_\_\_\_

Model Specified \_\_\_\_\_ Quantity \_\_\_\_\_

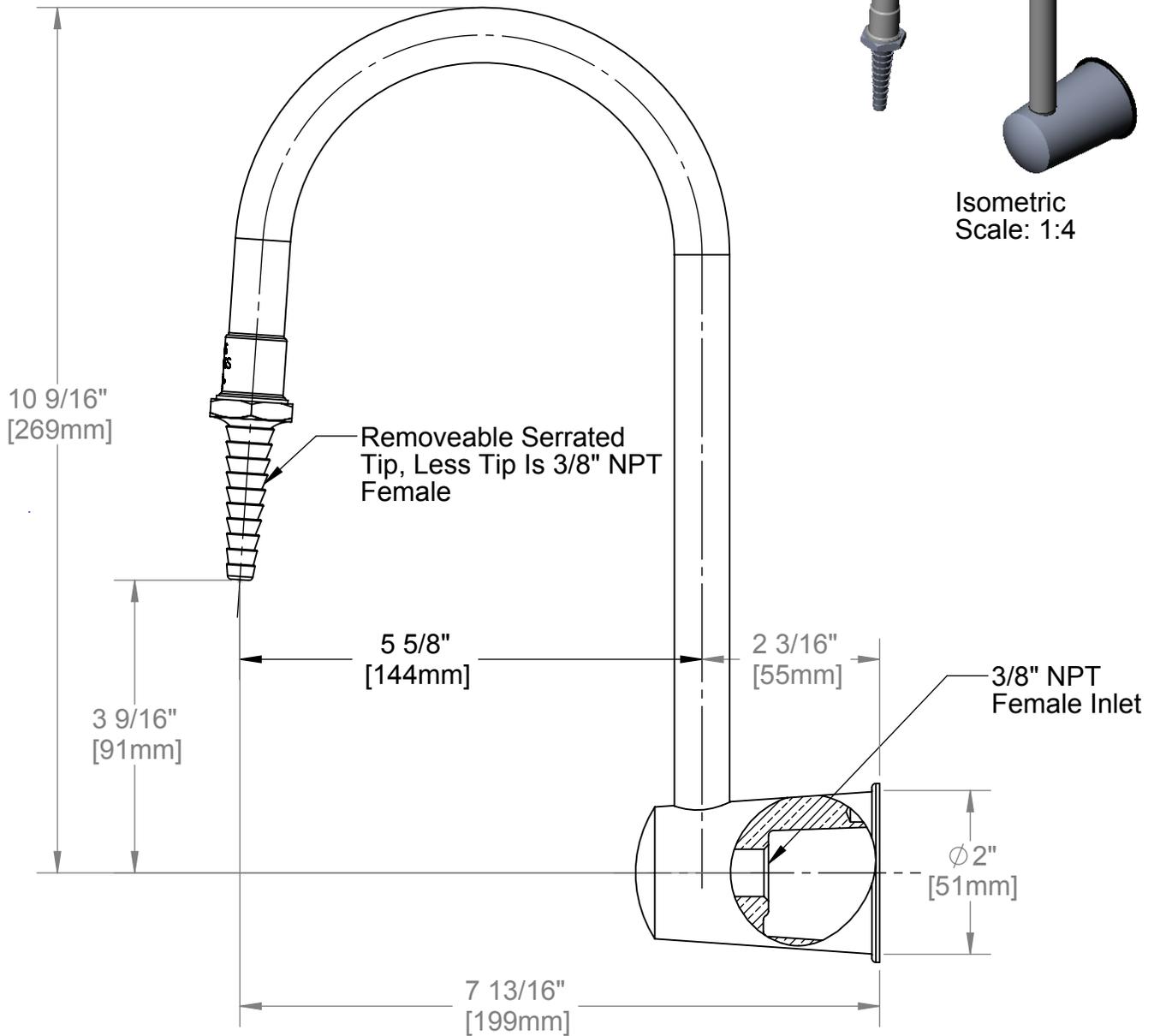
Customer/Wholesaler \_\_\_\_\_

Contractor \_\_\_\_\_

Architect/Engineer \_\_\_\_\_



Isometric  
Scale: 1:4



Product Specifications:

**Laboratory Panel Turret w/ Rigid  
Gooseneck & 3/8" NPT Female Inlet**

Drawn ARH	Checked DHL	Approved JHB
Scale: 1:2	Date: 1/12/2007	



# T&S BRASS AND BRONZE WORKS, INC.

2 Saddleback Cove / P.O. Box 1088  
Travelers Rest, SC 29690



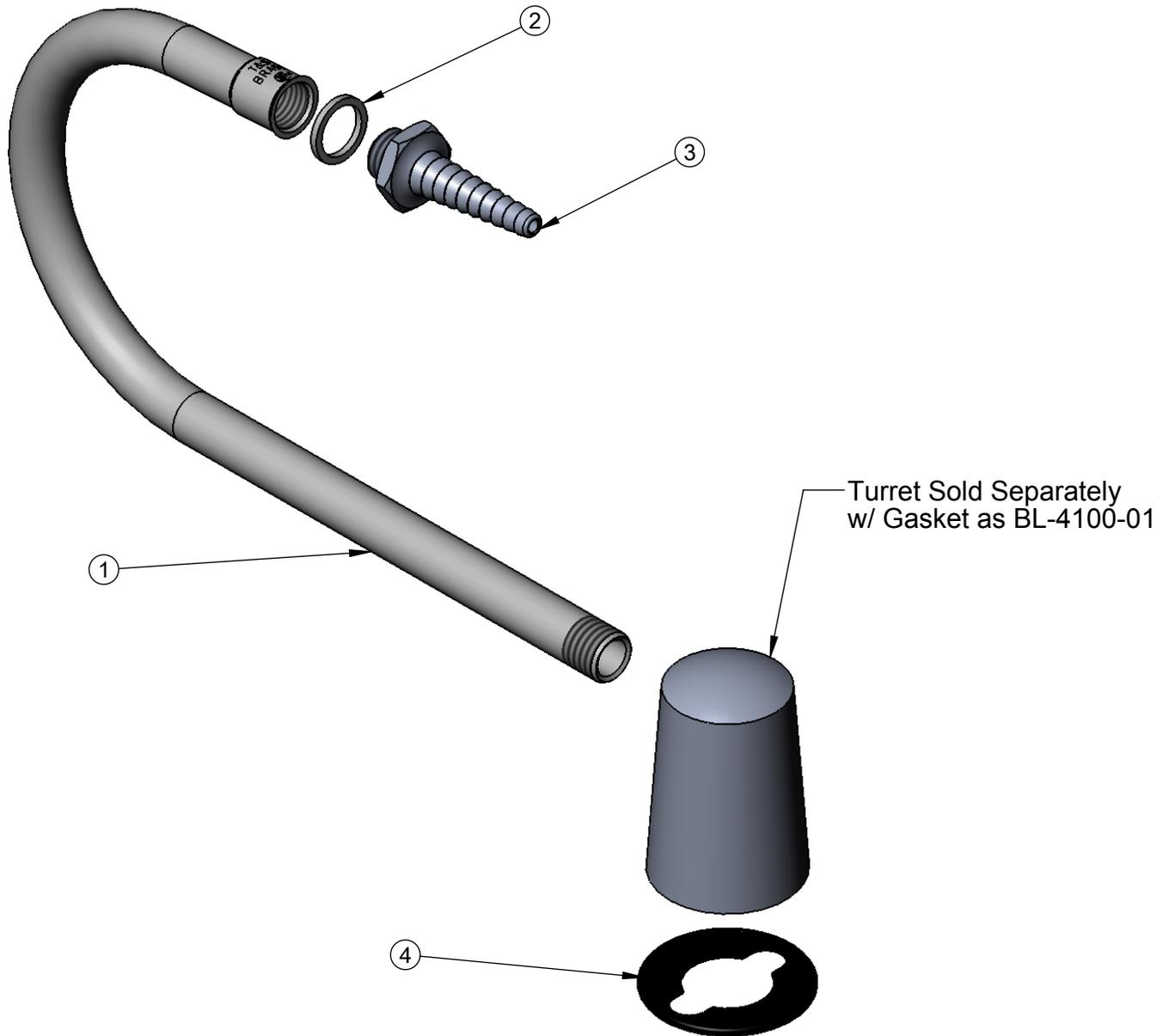
REG. #A2601  
ISO #9001

Model No.  
**BL-4750-07**

Item No.

Travelers Rest, SC: 800-476-4103 Simi Valley, CA: 800-423-0150 Fax: 864-834-3518 www.tsbrass.com

ITEM NO.	SALES NO.	DESCRIPTION
1	000398-20	Gooseneck, Pipe, Brass 3/8" IPS
2	009641-45	Washer, 7/8" OD X 11/16ID X 3/32THK
3	001658-40	Hose End, Serrated, Brass, PLTD
4	001158-45	Gasket, Polypropylene, Black



Product Specifications:

Laboratory Panel Turret w/ Rigid  
Gooseneck & 3/8" NPT Female Inlet

Drawn

ARH

Checked

DHL

Approved

JHB

Scale:

1:2

Date:

1/12/2007