



T&S BRASS AND BRONZE WORKS, INC.

2 Saddleback Cove / P.O. Box 1088
Travelers Rest, SC 29690

Model No.

BL-4010-01

Item No.

Travelers Rest, SC: 800-476-4103 • Simi Valley, CA: 800-423-0150 • Fax: 864-834-3518 • www.tsbrass.com

This Space for Architect/Engineer Approval

Job Name _____ Date _____

Model Specified _____ Quantity _____

Customer/Wholesaler _____

Contractor _____

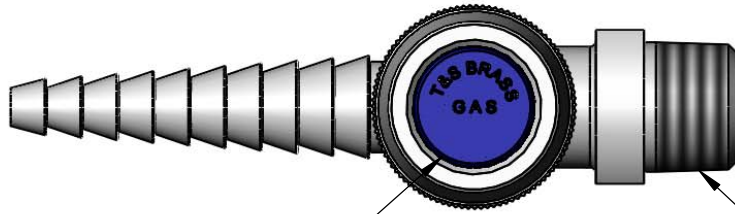
Architect/Engineer _____

Notes:

1. Maximum Rated Pressure is 125 PSIG
2. Special Packing in Valve Suitable for Oxygen, Hydrogen, and Other Special Gases



209L-AIR
Index Included

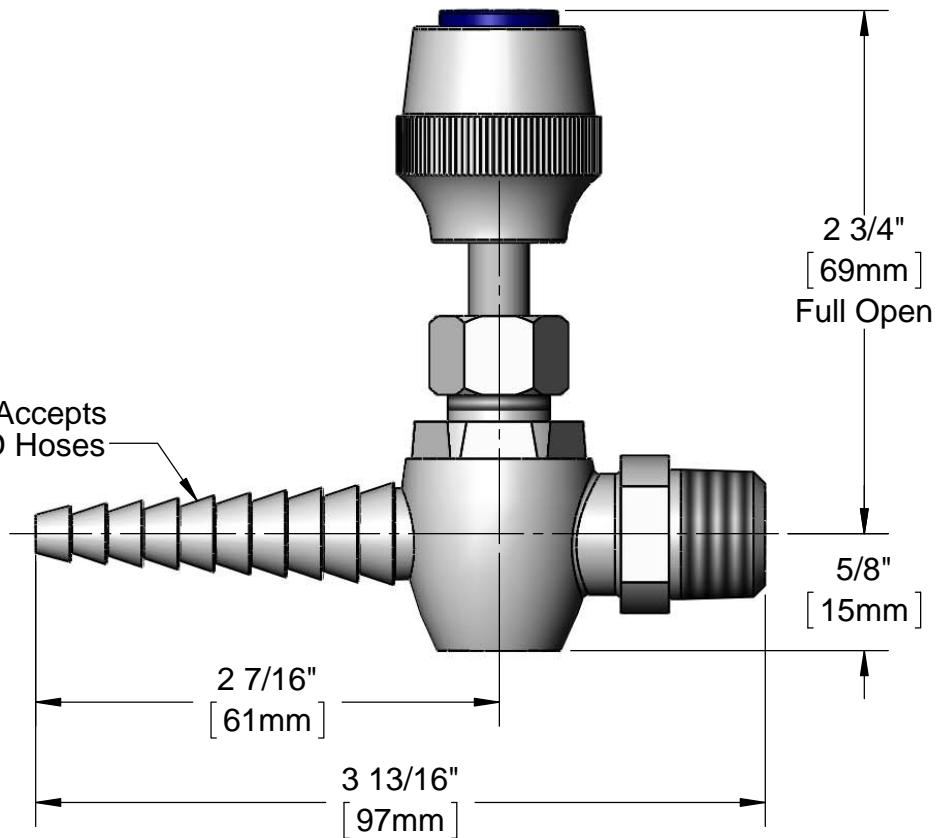


Snap-in Dark Blue
"GAS" Index

3/8" NPT
Male Inlet



209L-VAC
Index Included



Product Specifications:
Needle Valve Hose Cock,
For Use w/ Gases Up to 125 PSI, Oxygen, and Other Special Gases

Drawn

DMH

Checked

JRM

Approved

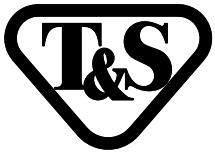
JHB

Scale:

1:1

Date:

05/21/12



T&S BRASS AND BRONZE WORKS, INC.

2 Saddleback Cove / P.O. Box 1088

Travelers Rest, SC 29690

Model No.

BL-4010-01

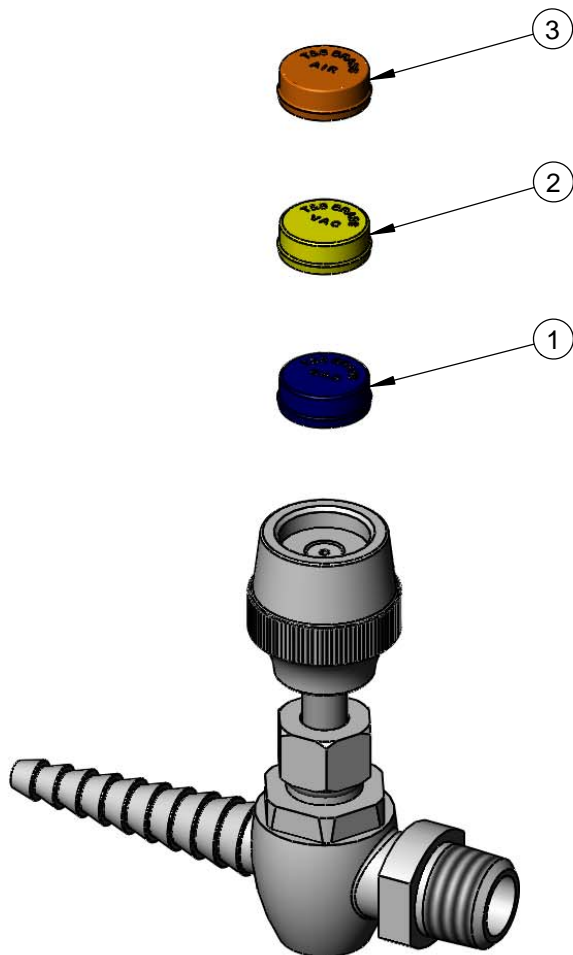
Item No.

Travelers Rest, SC: 800-476-4103 • Simi Valley, CA: 800-423-0150 • Fax: 864-834-3518 • www.tsbrass.com

ITEM NO.	SALES NO.	DESCRIPTION
1	209L-GAS	Cap, Index, Blue, Gas
2	209L-VAC	Cap, Index, Yellow, Vacuum
3	209L-AIR	Cap, Index, Orange, Air

Notes:

- Item 1 Pre-Installed at Factory
- Item 2 & Item 3 Included for Field Modifications



Product Specifications:
 Needle Valve Hose Cock,
 For Use w/ Gases Up to 125 PSI, Oxygen, and Other Special Gases

Drawn

DMH

Checked

JRM

Approved

JHB

Scale:

NTS

Date:

05/21/12