



T&S BRASS AND BRONZE WORKS, INC.

2 SADDLEBACK COVE / P.O. BOX 1088 / TRAVELERS REST, SC 29690

PHONE 800-476-4103

FAX 864-834-3518



REG.#A2601  
ISO #9002

Model No.

B-0330-01

Item No.:

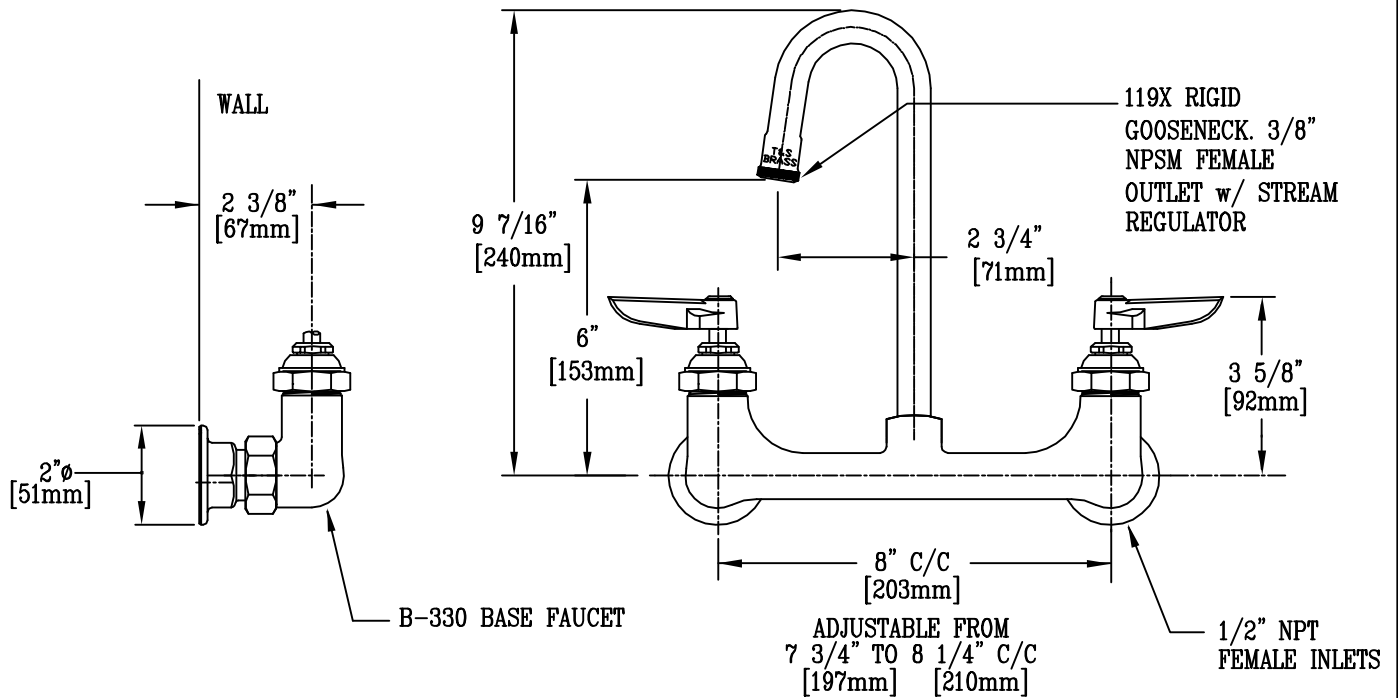
Job Name:

Architect/Engineer Approval:

Notes:



ADA COMPLIANT



NSF STANDARD 61, SECTION 9 CERTIFIED.

Product Description:

8" c/c WALL MOUNTED MIXING FCT. w/  
119X RIGID GOOSENECK & STREAM REGULATOR,  
& 1/2" NPT FEMALE INLETS

Drawn:

WJS

Approved

MVW

Checked

JKD

Scale:

1 : 4

Date:

8/18/99



**T&S BRASS AND BRONZE WORKS, INC.**

2 Saddleback Cove / P.O. Box 1088  
Travelers Rest, SC 29690

Model No.

**B-0330-01-WH4**

Item No.

Travelers Rest, SC: 800-476-4103 • Simi Valley, CA: 800-423-0150 • Fax: 864-834-3518 • www.tsbrass.com

This Space for Architect/Engineer Approval

Job Name \_\_\_\_\_ Date \_\_\_\_\_

Model Specified \_\_\_\_\_ Quantity \_\_\_\_\_

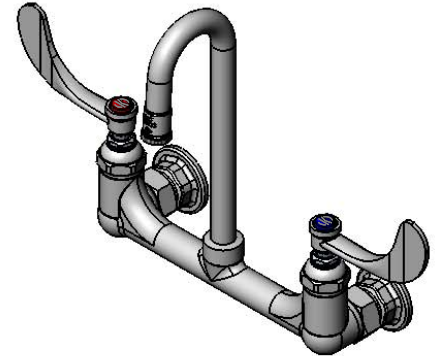
Customer/Wholesaler \_\_\_\_\_

Contractor \_\_\_\_\_

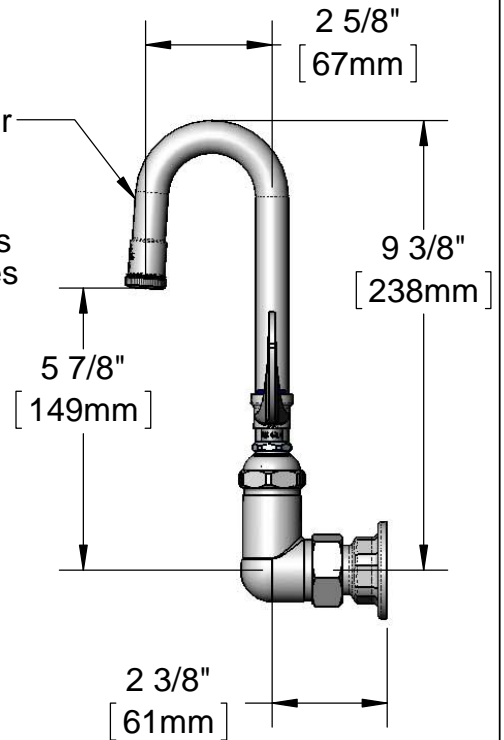
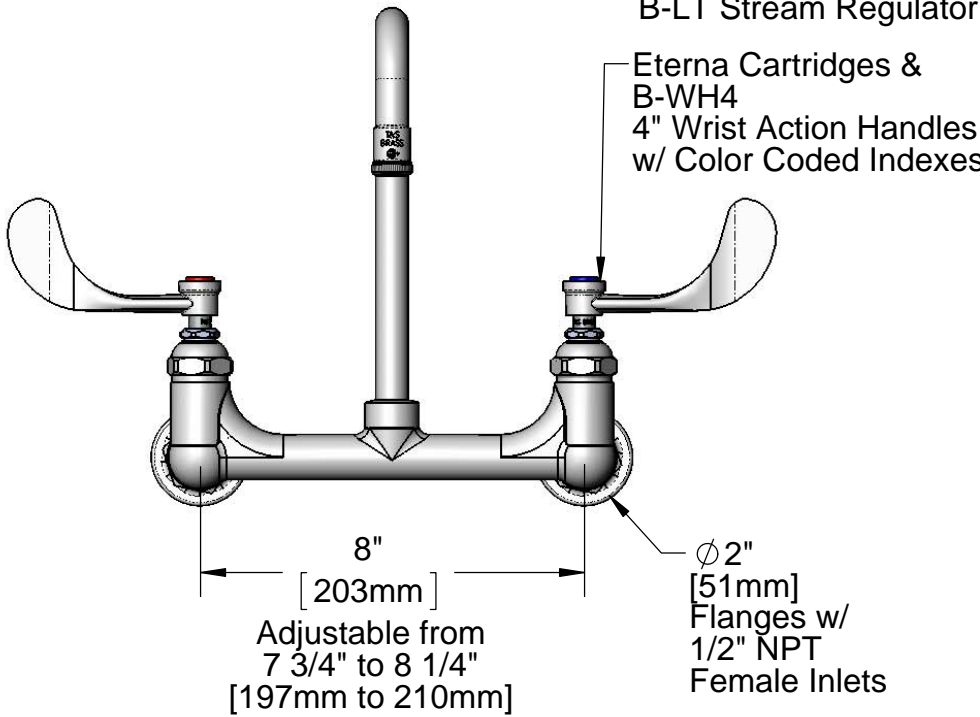
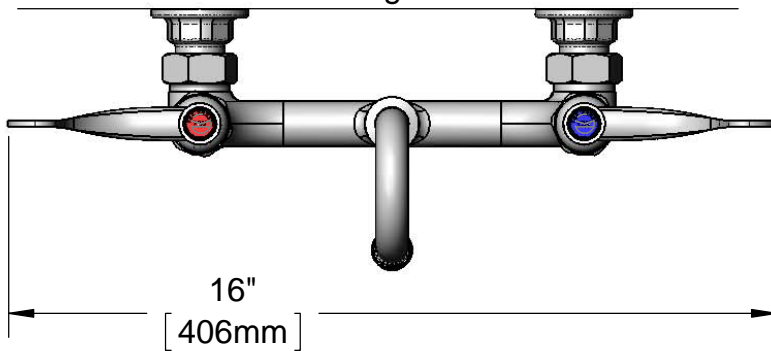
Architect/Engineer \_\_\_\_\_



**ADA Compliant**



Mounting Surface



Product Specifications:  
8" c/c Wall Mount Mixing Faucet w/ Eterna Cartridges,  
Rigid Gooseneck, Stream Regulator, 4" Wrist Action  
Handles, & 1/2" NPT Female Inlets

Drawn

**KJG**

Checked

**DHL**

Approved

**JHB**

Scale:

**1:4**

Date:

**03/27/12**



# T&S BRASS AND BRONZE WORKS, INC.

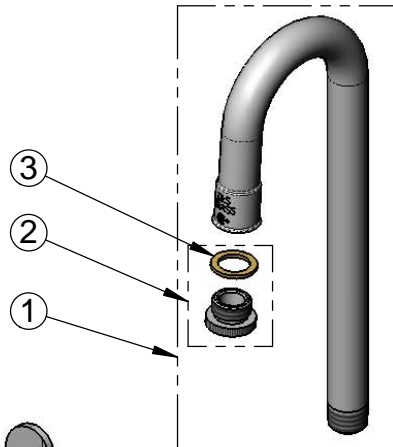
2 Saddleback Cove / P.O. Box 1088  
Travelers Rest, SC 29690

Model No.

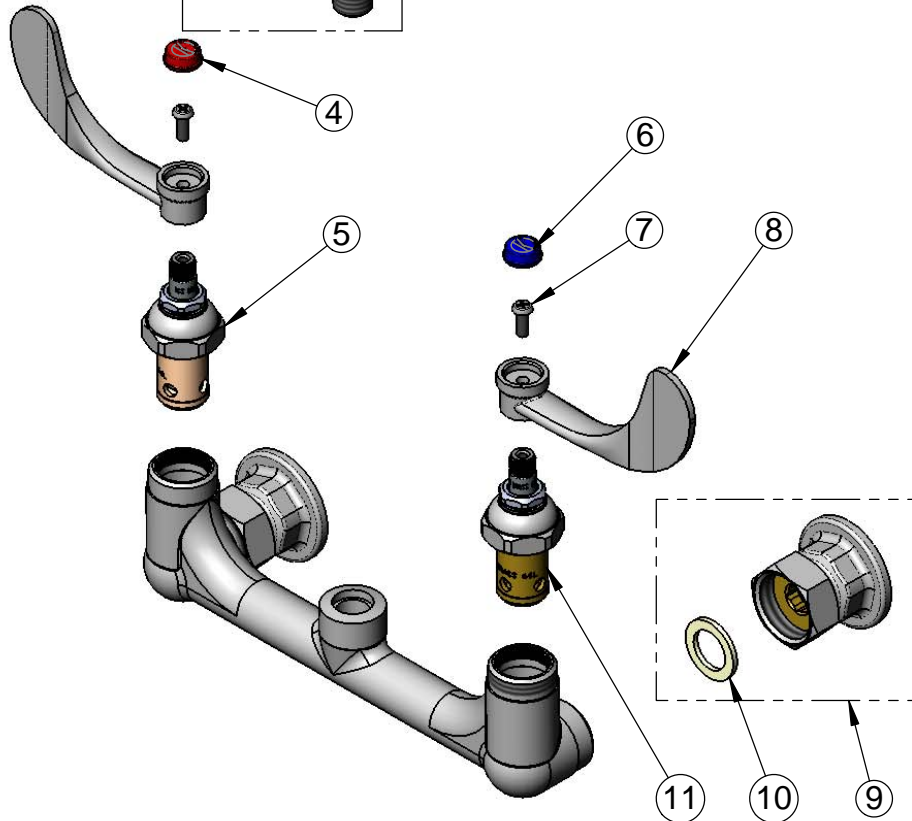
**B-0330-01-WH4**

Item No.

Travelers Rest, SC: 800-476-4103 • Simi Valley, CA: 800-423-0150 • Fax: 864-834-3518 • www.tsbrass.com



ITEM NO.	SALES NO.	DESCRIPTION
1	119X	Rigid Gooseneck w/ B-LT Stream Regulator Outlet
2	B-LT	Stream Regulator Outlet
3	001043-45	Washer
4	001194-45	Red HW Index
5	006010-40	Eterna Cartridge RTC w/ Teflon Seat
6	001686-45	Blue CW Index
7	000925-45	Lab Handle Screw
8	B-WH4	4" Wrist Action Handle
9	00AA	1/2" NPT Female Flange
10	001019-45	Coupling Nut Washer
11	006009-40	Eterna Cartridge LTC w/ Teflon Seat



Product Specifications:  
8" c/c Wall Mount Mixing Faucet w/ Eterna Cartridges,  
Rigid Gooseneck, Stream Regulator, 4" Wrist Action  
Handles, & 1/2" NPT Female Inlets

Drawn <b>KJG</b>	Checked <b>DHL</b>	Approved <b>JHB</b>
Scale: <b>NTS</b>		Date: <b>03/27/12</b>