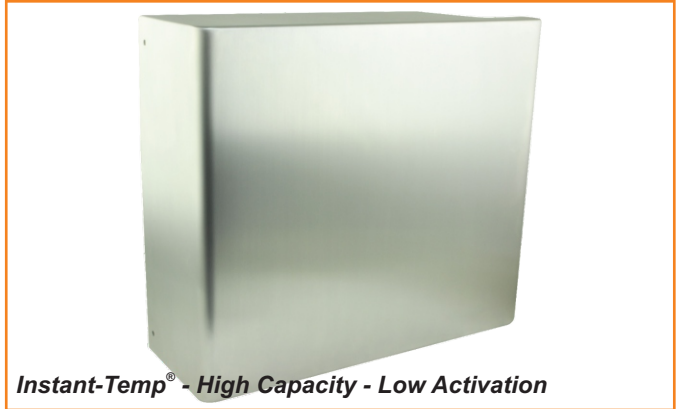


# INSTANT-TEMP<sup>®</sup> - HIGH CAPACITY - LOW ACTIVATION

**TYPICAL APPLICATIONS:** Commercial, Industrial, Multiple Lavatories, Public Lavatories, Hospitality Bar Sinks, Shower

## PRODUCT FEATURES

- Uses a digital microprocessor for temperature control  
*Ultra quick response times for temperature variations - 120 times per second. Microprocessor use is the most energy efficient means of heating water*
- Unlimited hot water
- Ideal for sensor /hands-free faucets, no mixing valve needed
- Saves water and energy - 99% energy efficient
- Works on low flow
- Rugged steel housing (Standard)
- Space saving compact size:  
15-1/4" x 17-1/2" x 6-1/4"
- Meets applicable building codes including UL, UPC.
- Environmentally friendly
- Made in the U.S.A.
- User adjustable temperature 70°F - 140°F
- Multiple applications handled with one heater



**Instant-Temp<sup>®</sup> - High Capacity - Low Activation**

Chronomite Instant-Temp<sup>®</sup> - High Capacity - Low Activation - L2 models are manufactured to provide reliable point-of-use hot water with flow rate from 0.35 gpm to 4.0 gpm. There is no pressure and temperature relief valve needed (unless required by code), saving time and money on installation.

**Housing** is fabricated from rugged Jet-Kote<sup>®</sup> grey steel.

**Element assembly** is fabricated from Celcon plastic.

**Heating Coils** are nichrome.

## GUIDE SPECIFICATION

Tankless Water Heater shall be a Chronomite Laboratories Model

**ER - \_\_\_\_\_ L / \_\_\_\_\_ - \_\_\_\_\_**  
AMPS VOLTS WATTS

with  Amps and  Volts

Unit shall be provided with Celcon waterways, and Nichrome heating coils. Temperature controlled by microprocessor.

### OPTIONS

- Satin Finish Stainless Steel Housing (SS)
- NEMA 4 Cabinet (N4)
- De-ionized (DI)

For the model being selected, please place the corresponding amps, volts and watts values in the Guide Specifications above.

MODEL	CIRCUITS	TOTAL AMPS	1 Ø VOLTAGE	WATTS	ACTIVATION GPM	TEMP RISE @ 2.0 GPM	TEMP RISE @ 2.5 GPM	TEMP RISE @ 3.0 GPM
ER-60L/208_12500	2	60	208	12500	0.35	43	34	28
ER-60L/240_14400	2	60	240	14400	0.35	49	39	33
ER-60L/277_16600	2	60	277	16600	0.35	57	45	38
ER-80L/208_16600	2	80	208	16600	0.35	57	45	38
ER-80L/240_19200	2	80	240	19200	0.35	66	52	44
ER-80L/277_22200	2	80	277	22200	0.35	76	61	50



Member of U.S. Green Building Council



Water Conserving Product



Made in the USA

Complies with Standards for:



Federal Public Law 111-380 (No Lead)



### CHRONOMITE LABORATORIES, INC.

17451 Hurley St. :: City of Industry, CA 91744  
 Phone 800-447-4962 :: 626-937-4270  
 Fax 626-937-4279 :: www.chronomite.com

MEMBER OF



# INSTANT-TEMP® - HIGH CAPACITY - LOW ACTIVATION

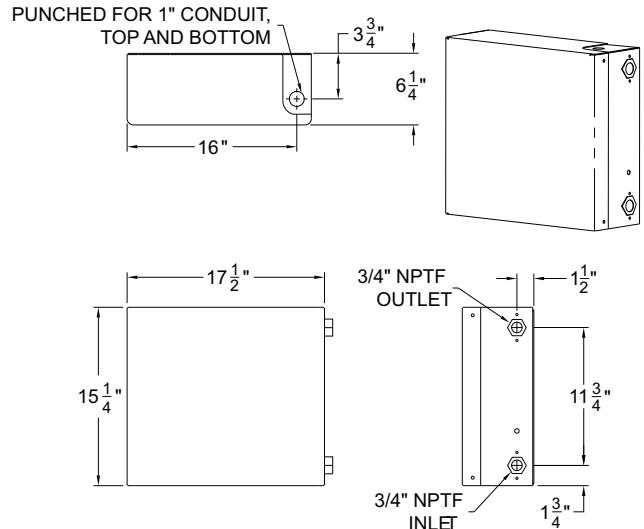
## TECHNICAL DIMENSIONS

### INSTANT-TEMP - HIGH CAPACITY - LOW ACTIVATION

Dimensions:	15-1/4" x 17-1/2" x 6-1/4"
Weight:	24 LBS
Materials:	Rugged steel housing Celcon plastic element assembly with nichrome coils
Minimum Operating Flow Rate:	0.35 GPM
Minimum Pressure:	25 PSI
Maximum Operating Pressure:	80 PSI
Maximum Pressure	150 PSI
Maximum Operating Temperature:	140°F
Listing:	UL, UPC

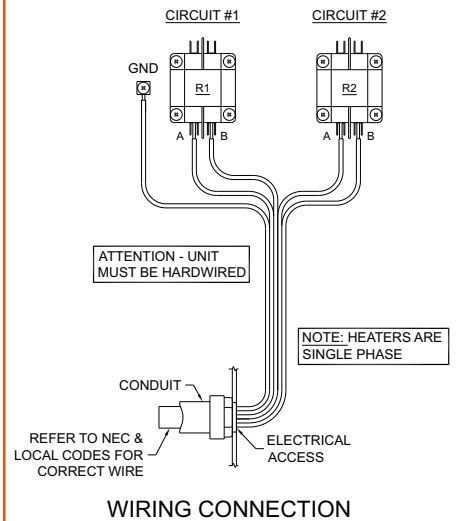
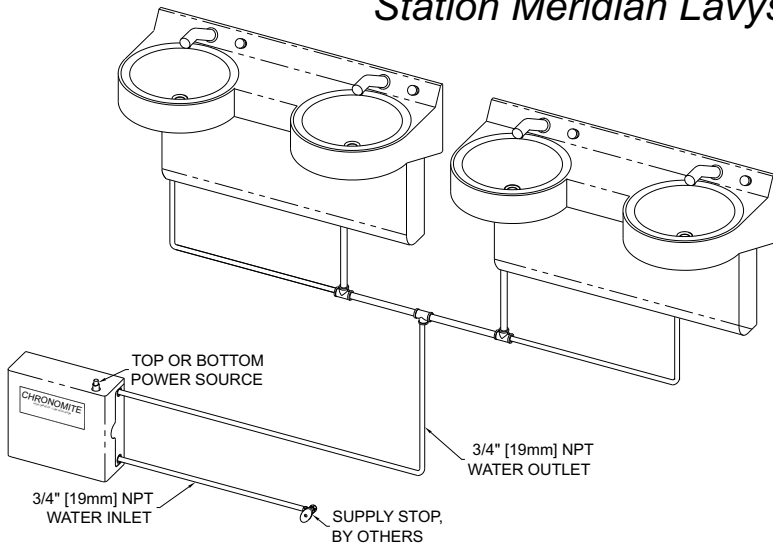
#### GENERAL NOTES:

- The microprocessor adjusts the heater's power for variations in flow rates, inlet water temperature and pressure to assure the selected water temperature.
- 240V models when operated at 220V will have approximately a 15% wattage decrease.
- 60-80 amp single phase units use qty 2 circuits



## INSTALLATION DIAGRAM

Shown Installed with (2) Two Station Meridian Lavays



Chronomite Laboratories assumes no responsibility for use of void or suspended data. © Copyright Chronomite Laboratories, Inc. Acorn Family of Companies, City of Industry, CA Please visit [www.chronomite.com](http://www.chronomite.com) for most current specifications.

SELECTION SUMMARY & APPROVAL FOR MANUFACTURING

Company \_\_\_\_\_

Model Number & Options \_\_\_\_\_ Quantity \_\_\_\_\_

Contact \_\_\_\_\_ Title \_\_\_\_\_

Signature (Approval for Manufacturing) \_\_\_\_\_ Date \_\_\_\_\_

**CHRONOMITE**  
LABORATORIES, INC.  
PH. 800-447-4962  
626-937-4270  
FAX 626-937-4279  
[www.chronomite.com](http://www.chronomite.com)