

8113-1.28

Description

Exposed, battery-powered, sensor-activated G2 Optima Plus® water closet flushometer for floor mounted or wall hung top spud bowls.

Flush Cycle

Model 8113-1.28 High-Efficiency (1.28 gpf/4.8 Lpf)

Specifications

Quiet, Exposed, Diaphragm Type, Chrome Plated Closet flushometer for either left or right hand supply with the following features:

- PERMEX® Synthetic Rubber diaphragm with Dual Filtered fixed bypass
- Flex Tube Diaphragm designed for improved life and reduced maintenance
- ADA Compliant Optima Plus® battery-powered Infrared sensor for automatic “No Hands” operation
- Infrared sensor with multiple-focused, lobular sensing fields for high and low target detection
- Latching solenoid operator
- Engineered metal cover with replaceable lens window
- User-friendly three (3) second flush delay
- Courtesy Flush® override button
- Four (4) Size AA Batteries factory installed
- “Low Battery” flashing LED
- Infrared sensor range adjustment screw
- Initial set-up range indicator light (first 10 minutes)
- 1” IPS screwdriver Bak-Chek® angle stop
- Free spinning, vandal resistant stop cap
- Adjustable Tailpiece
- High back pressure vacuum breaker flush connection with one-piece bottom hex coupling nut
- Spud coupling and flange for 1-1/2” Top spud
- Sweat solder adapter with cover tube and cast set screw wall flange
- High copper, low zinc brass castings for dezincification Resistance
- Fixed metering bypass and No External volume adjustment to ensure water conservation
- Flush accuracy controlled by CID technology
- Diaphragm, stop seat and vacuum breaker to be molded from PERMEX rubber compound for chloramine resistance

Valve body, tailpiece and control stop shall be in conformance with ASTM Alloy Classification for Semi-Red Brass. Valve shall be in compliance with the applicable sections of ASSE 1037, ANSI/ASME A112.19.2. Installation conforms to ADA requirements.

Special Finishes

- PVDPB** Polished Brass
- PVDBN** Brushed Nickel
- PVDSF** Satin Chrome

Accessories

See accessories section and Optima Plus® accessories section of the Sloan catalog for details on these and other Optima Plus flushometer variations.



Automatic

Sloan’s G2 Optima Plus® flushometers activate via multi-lobular sensor detection to provide the ultimate in sanitary protection and automatic operation. A battery powered infrared sensor sets the flushing mechanism after the user is detected and completes the flush when the user steps away.

Functional & Hygienic

Touchless, sensor operation eliminates the need for user contact to help control the spread of infectious diseases. The G2 Optima Plus flushometer is provided with an Override Button to allow a “courtesy flush” for individual user comfort.

Economical

Sloan installed batteries speed installation and provide years of metered flushing to control the use of water and energy. Batteries can be changed without turning off the water.

Warranty

3 year (limited)



This space for Architect/Engineer approval	
Job Name _____	Date _____
Model Specified _____	Quantity _____
Variations Specified _____	
Customer/Wholesaler _____	
Contractor _____	
Architect _____	

Description

Exposed, battery-powered, sensor-activated G2 Optima Plus[®] water closet flushometer for floor mounted or wall hung top spud bowls.

Flush Cycle

□ Model 8113-1.28 High-Efficiency (1.28 gpf/4.8 Lpf)

ELECTRICAL SPECIFICATIONS

Control Circuit

Solid State
6 VDC Input
8 Second Arming Delay
3 Second Flush Delay

Optima Plus Sensor Type

Active Infrared

Optima Plus Sensor Range

Nominal 22" - 42" (559 mm - 1067 mm),
Adjustable \pm 8" (203 mm)

Battery Type

(4) AA Alkaline

Battery Life

3 Years @ 4,000 Flushes/Month

Indicator Lights

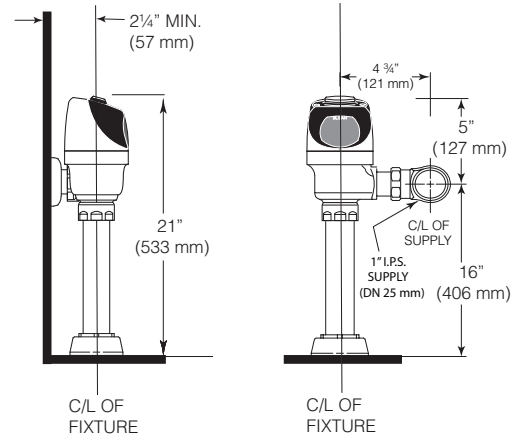
Range Adjustment/Low Battery

Operating Pressure (Flowing)

15 - 100 psi (104 - 689 kPa)

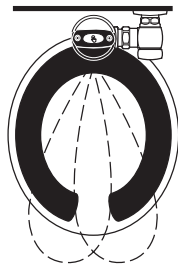
Sentinel Flush

Once Every 24 Hours After the Last Flush

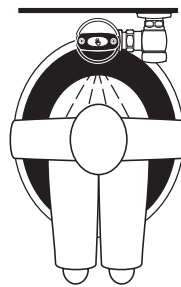


OPERATION

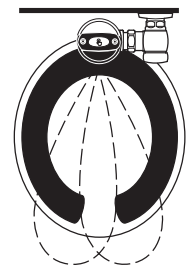
1. A continuous, invisible light beam is emitted from the Optima Plus sensor.



2. As the user enters the beam's effective range, 22" to 42" (559-1067 mm) the beam is reflected into the Optima Plus scanner window and transformed into a low voltage electrical circuit. Once activated, the output circuit continues in a "hold" mode for as long as the user remains within the effective range of the sensor.

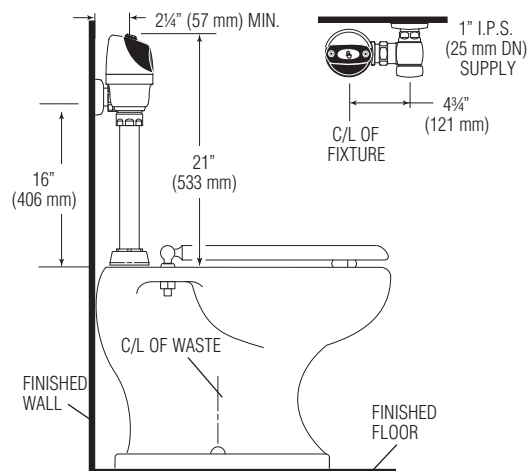


3. When the user steps away from the Optima Plus sensor, the circuit waits 3 seconds (to prevent false flushing) then initiates an electrical signal that operates the solenoid. This initiates the flushing cycle to flush the fixture. The Circuit then automatically resets and is ready for the next user.



ROUGH-IN

Model 8113



When installing the G2 Optima Plus in a handicap stall:
Per the ADA Guidelines (section 604.9.4) it is recommended that the grab bars be split or shifted to the wide side of the stall.