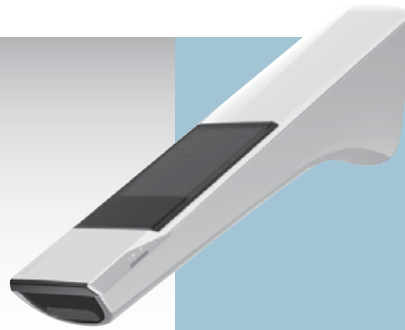


BASYS®

Any Application. Any Environment.®



Active IR Series Faucet

BASYS® Wall Mount Faucet Series
with Solar Crown

(EFX-875.X0X.1000 shown)

EFX-875.X0X.1000

Description

Sensor Handwashing Faucet, solar powered with battery back-up, double-infrared sensor activated for pre-tempered water operation. All serviceable components in spout for easy installation and maintenance.

Faucet Specifications

Solar powered, sensor-activated, electronic, chrome plated die cast body, handwashing faucet with the following features:

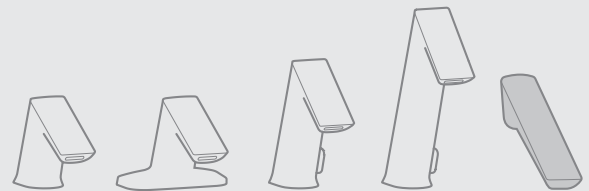
- All serviceable components in spout
- One tool service
- All wetted components to be stainless steel, engineered thermoplastic, EPDM and copper or copper alloy
- Solenoid housed in removable carrier that includes supply strainer, serviceable from above deck
- Integral water supply shut off
- Vandal resistant spray insert, key housed inside faucet body
- All electronics sealed to IP-67
- Gold plated electrical contacts
- In spout individual diagnostic indicators for battery life, solenoid condition, and power-up mode
- Bi-stable magnetic solenoid
- Faucet can be configured to add solar and LCD display
- One (1) CR-P2 Lithium battery (acts as back-up)
- Double infrared sensors
- Includes all mounting hardware
- Selectable Sloan programmable line purge mode eliminates stagnant water
- Operates from 1 to 125 psi
- Adjustable run time from 0-3600 seconds (factory set at 10 second maximum run time upon continuous detection)
- Optional Wall Flange included
- Time Out Setting-30 seconds maximum time faucet will run upon continuous detection

Electrical Specifications

- Control Circuit – 6.75 VDC
- Sensor Range – Factory Setting: 4" - 5" (102-127 mm) Nominal Range Adjustment: 1" - 6" (25-150 mm) Nominal
- Battery Life – 5-years under worst case conditions of 8,000 cycles per month and high water pressure without power harvesting. Power harvesting should extend service life of batteries.
- Power Supplies – 6 VDC Solar Energy Module with 6 VDC Lithium Battery Pack

Warranty

3 Year Limited



Meets or Exceeds

ASME A112.18.1/CSA B125.1, NSF 372, ANSI/UL 1951, ICC/ANSI 117.1

Certifications

IAPMO/cUPC, Commonwealth of Massachusetts

Codes Compliance

UPC, IPC, NPC Canada, California Green Building Code (CALGreen), City of Los Angeles Water Efficiency Ordinance

CALGreen

This BASYS faucet with a 10-second cycle uses 0.083 gallons of water at 0.5 gallons per minute (exceeds minimum CALGreen requirements) or 0.25 gallons of water at 1.5 gallons per minute, depending upon desired flow rate. Additionally, this BASYS faucet is Sloan reprogrammable to use 0.175 gallons of water at 1.5 gallons per minute with a 7-second cycle (exceeds minimum CALGreen requirements).

Legislative Compliance

Federal Reduction of Lead in Drinking Water Act Law 111-380 (contains no more than 0.25% weighted average lead content), Section 116875 of the California Health & Safety Code, and Vermont Lead Reduction Law (Vermont Act 193).

ADA Compliant

BASYS Spec Language

Sloan BASYS model no. EFX-875.____.____ double infrared sensor-activated electronic handwashing faucet with battery back-up and line purge mode for pre-tempered water supplies. Product to have double infrared sensors with automatic setting feature. Solenoid valve housed in removable carrier that closes water supply upon removal eliminating need to access control stops. Solenoid carrier includes strainer for easy above-deck service. Optional thermostatic mixer complies with ASSE 1070 requirements.



CALGreen

REV. 0 07/14

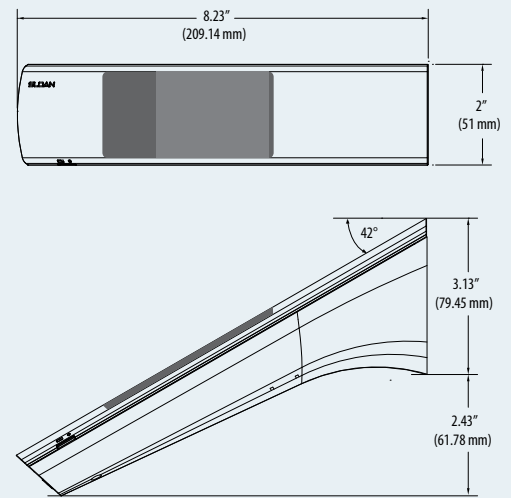
SLOAN
Water Connects Us™

EFX-875.X0X.1000

To build a BASYS faucet online and create a customized specification sheet, go to:

sloanvalve.com/configurator

Dimensions



Model Creation Guide (customize your faucet features below)

EFX - . .

Series	Body Type	Power Type	Crown Type	Mixer Type	Sensing Type	Flow Rate	Battery Type	Base Plate	Adapter	Drain Pop-Up
EFX	8 = Wall Mount	7 = Solar	5 = Solar	0 = None	0 = Active IR	0 = 0.5 gpm Multi-Lam	0 = Lithium	0 = None	0 = None	0 = No
				1 = BDM		2 = 1.5 gpm Aerated				
				2 = BDT		3 = 1.5 gpm Laminar				

Mixer Type Options (Digit 4)

- BDM – Mechanical, below deck mixing valve
- BDT – Thermostatic, below deck mixing valve

Flow Rate Options (Digit 6)

- 0.5 gpm/1.9 Lpm Multi-Lam Spray
- 1.5 gpm/5.7 Lpm Aerated Stream
- 1.5 gpm/5.7 Lpm Laminar Stream

Special Finish Options* (ordered separately, late 2014)

- PVDSF – Physical Vapor Deposition Satin Finish (Brushed Chrome)
- PVDBN – Physical Vapor Deposition Brushed Nickel
- PVDPB – Physical Vapor Deposition Polished Brass

* Minimum order quantities and long lead times may apply. Please contact Customer Service for details.

EFX-875.X0X.1000 Faucet

Faucet with Vessel Sink

