

EFX-800-X0X-10X0-X

Description

Line powered, infrared sensor activated, electronic, chrome plated die cast body, wall mount hand washing faucet for pre-tempered water operation.

Flow Rates

- 0.5 gpm/1.9 Lpm Multi-Lam Spray
- 1.5 gpm/5.7 Lpm Aerated Stream
- 1.5 gpm/5.7 Lpm Laminar Stream

Specifications

Line Powered, Sensor Activated, Electronic, Chrome Plated Die Cast Body, Hand Washing Faucet with the following features:

- Above deck solenoid valve
- One tool service
- All wetted components to be stainless steel, engineered thermoplastic, EPDM, and copper or copper alloy
- Solenoid housed in removable carrier that includes supply strainer
- Integral above deck water supply shut off
- Supply strainer serviceable from above deck
- Vandal resistant spray insert, key housed inside faucet body
- All electronics sealed to IP-67
- Gold plated electrical contacts
- Above deck individual diagnostic indicators for battery life, solenoid condition, and power-up mode
- Bi-stable magnetic solenoid
- One (1) CR-P2 battery
- Double infrared sensors with automatic setting feature
- Includes all mounting hardware
- Line Purge mode, eliminates stagnant water
- Adjustable time-outs and sleep/cleaning mode
- High temperature auto shut-off (LCD models)
- Faucet can be configured to add solar and/or LCD display
- LCD display of water temperature and scrub time, optional
- Optional Wall Flange included
- Sleep/cleaning Mode
- Line powered using a variety of voltage adapters (battery acts as back-up)
- Thermostatic, below deck for ASSE 1070 compliance, optional



EFX-800.000.1000 Shown

BASYS Spec Language

Sloan BASYS Model No. EFX-800.____.____ Infrared Sensor Activated Electronic Handwashing Faucet for pre-tempered supplies. Solenoid valve housed in removable carrier that closes water supply upon removal, eliminating need to access control stops. Solenoid carrier includes mesh filter for easy access and service without disconnecting the supply lines. Thermostatic mixer ordered separately to comply with ASSE 1070 requirements. The product shall be tested and certified to industry standards: ASME A112.18.1M, CSA B125.1, California Health and Safety Code 116875 (AB1953-2006), and Vermont Bill S.152. This product meets ADA ANSI/ICC A117.1 requirements.

Model Creation Guide

EFX-800. **X** **0** **X** . **1** **0** **X** **0** . **X**

	Mix	Sensing	Flow Rate	Battery Type	Base Plate	Voltage Adapters	Drain Pop-Up	Finishes
0	<input type="checkbox"/> None	Active IR	<input type="checkbox"/> 0.5 gpm Multi-Lam	-	No	<input type="checkbox"/> None	No	<input type="checkbox"/> CP
1	<input type="checkbox"/> Below Deck, Mechanical	-	-	Lithium	-	<input type="checkbox"/> Plug-In	-	<input type="checkbox"/> PVDSF
2	<input type="checkbox"/> Below Deck, Thermostatic	-	<input type="checkbox"/> 1.5 gpm Aerated & Laminar	-	-	<input type="checkbox"/> Plug-In UK	-	-
3	-	-	-	-	-	<input type="checkbox"/> Plug-In EU	-	-
4	-	-	-	-	-	<input type="checkbox"/> Box Mount	-	-

Accessories (Ordered Separately)

- EAF-23 Splitter (included in hardwire less adapter)
- EAF-24-A 11-13/16" Extension Cable
- EAF-25-A 47-1/4" Extension Cable
- EAF-17-A 126" Extension Cable

Warranty

3 year (limited)



This space for Architect/Engineer approval

Job Name	Date	Quantity
Model Specified	Variations Specified	Customer/Wholesaler
Contractor	Architect	

EFX-800-X0X-10X0-X

Description

Line powered, sensor activated, electronic, chrome plated die cast body, wall mounted hand washing faucet for pre-tempered water operation.

Flow Rates

- 0.5 gpm/1.9 Lpm Multi-Lam Spray
- 1.5 gpm/5.7 Lpm Aerated Stream
- 1.5 gpm/5.7 Lpm Laminar Stream

ELECTRICAL SPECIFICATIONS

Control Circuit

6.75 VDC

Battery Life

5-years under worst case conditions of 8,000 cycles per month and high water pressure. Optional power harvesting may extend service life of batteries to equal the shelf life.

Sensor Range

Nominal: 4"-5" (102 mm-127 mm)

Faucet Adaptive Self-Adjustment

Range: 1"-6" (25 mm-150 mm)

Solenoid Valve

Filtered Solenoid Valve with Serviceable Strainer Filter

Power Supplies

- 6 VDC Solar Energy Module with 50/60 Hz, 6 VDC Lithium Battery Pack
- 120 VAC/6.75 VDC Voltage Adapter (Option) Batteries Act as Backup Shown with EFX-800.000.1000

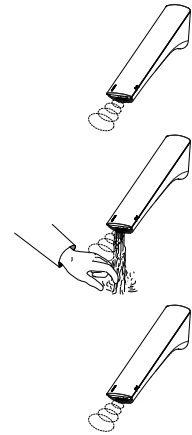
Time Out Setting

30 seconds — Maximum time faucet will run upon continuous detection

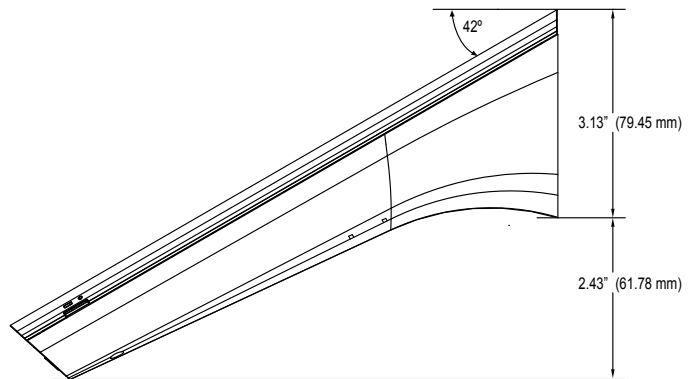
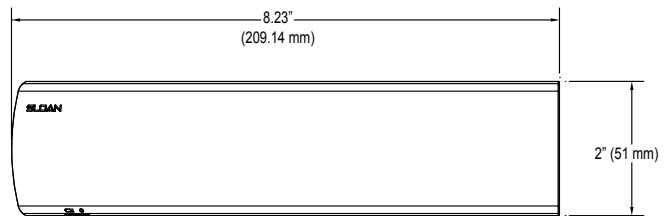
Can combine up to six (6) faucets on one voltage adapter

OPERATION

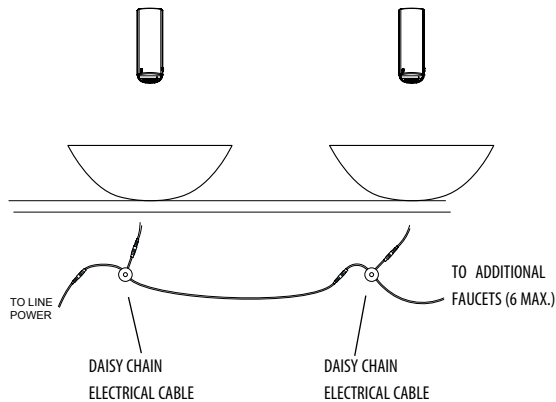
1. A continuous, invisible light beam is emitted from the sensor located at the front of the hand washing faucet.
2. As the user's hands enter the beam's effective range, the beam is reflected back into the sensor receiver and activates the solenoid valve allowing water to flow from the faucet. Water will flow until the hands are no longer sensed or until the faucet reaches its automatic time out limit setting.
3. When hands are moved away from the sensor, the loss of reflected light initiates an electrical signal that closes the solenoid valve shutting off the water flow. The circuit then automatically resets and is ready for the next user.



DIMENSIONS



Electrical Connection for up to Six (6) Faucets Using One (1) Voltage Adapter



NOTE: PLUMBING CONNECTIONS NOT SUPPLIED
NOTE: INSTALL IN ACCORDANCE WITH LOCAL PLUMBING CODES

ROUGH-IN DIAGRAM

EFX-800.X0X.10X0 Faucet with Vessel Sink

