

UPPERCUT® Dual-Flush Flushometer

Click Product Code No. to Purchase Part

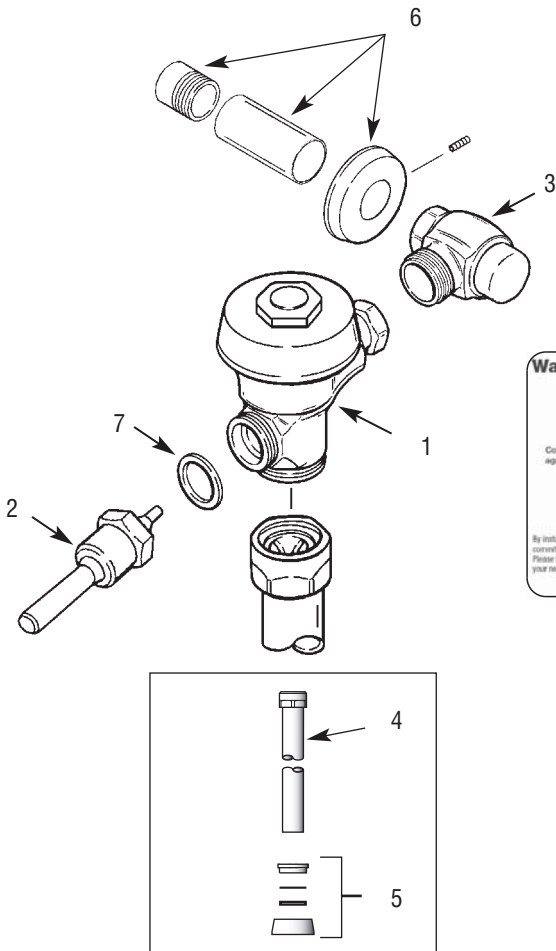
Manual Flushometers



PARTS LIST

| Item No. | Code No. | Part No. | Description |
|----------|-------------------------|----------|---|
| 1. | — | † | Valve Assembly |
| 2. | 3372003 | WES-212 | ADA Compliant Dual-Flush Handle |
| | 3372010 | WES-212 | ADA Compliant Dual-Flush Handle (Spanish) |
| 3. | 3308386 | H-700-A | Bak-Chek® Control Stop |
| 4. | 3393007 | V-600-AA | 1-1/2" (38 mm) x 9" (229 mm) Vacuum Breaker Assembly † |
| 5. | 0306146 | F-5-AT | 1-1/2" (38 mm) Spud Coupling Assembly |
| 6. | 3308782 | H-633-AA | 1" (25 mm) CP Sweat Solder Kit with Cast Set Screw Flange |
| 7. | 5301139 | A-31 | Handle Gasket – 48 per package |
| 8. | 0372006 | WES-13 | Wall Plate (English) |
| | 0372019 | WES-18 | Wall Plate (Spanish) |

† Part number varies with valve model variation; consult factory.
‡ Length varies with valve model variation; consult factory.



For the Best Deals,
Purchase Your
Sloan Flush Valve
Replacement Parts
at Air Delights!

Shop Now!



Royal® Flushometer

TROUBLESHOOTING GUIDE

ATTENTION INSTALLERS: With the exception of the control stop inlet, **DO NOT USE pipe sealant or plumbing grease on any valve component or coupling!** To protect the chrome or special finish of Sloan flushometers, **DO NOT USE toothed tools to install or service these valves.** Use our **A-50 Super-Wrench™** or other smooth-jawed wrench to secure couplings. Regulations for low consumption fixtures (1.6 gpf/6.0 Lpf closets and 1.0 gpf/3.8 Lpf urinals) prohibit use of higher flush volumes.

1. Flushometer does not function (no flush).

- A. Control stop or main supply valve is closed. Open control stop or main supply valve.
- B. Handle assembly is damaged. Replace **B-73-A** handle or repair with **B-51-A** handle repair kit.
- C. Relief valve is damaged. Replace relief valve.

2. Handle leaks.

- A. Handle seal or handle assembly is damaged. Replace **B-73-A** handle or repair with **B-51-A** handle repair kit.

3. Water splashes from fixture.

- A. Control stop is open wider than necessary. Adjust control stop for desired delivery of water volume.
- B. Water saver/conventional diaphragm assembly is installed on low consumption fixture or closet diaphragm assembly is installed on urinal fixture. Determine the required flush volume (see label on valve or markings on fixture). Replace diaphragm assembly or relief valve for appropriate flush volume of fixture.

4. Volume of water is insufficient to adequately siphon fixture.

- A. Control stop is not open wide enough. Adjust control stop for desired delivery of water volume.
- B. Diaphragm assembly is damaged. Replace diaphragm assembly.
- C. Low consumption diaphragm assembly is installed on water saver/conventional fixture or urinal diaphragm assembly is installed on closet fixture. Determine the required flush volume (see label on valve or markings on fixture). Replace diaphragm assembly or relief valve for appropriate flush volume of fixture.
- D. Inadequate water volume or pressure is available from supply. Increase flow rate or pressure to the valve. If gauges are not available to measure supply pressure/volume, remove relief valve from diaphragm assembly and open the control stop.

If the fixture siphons: Additional water volume is required. Install higher flushing volume relief valve or diaphragm assembly or cut flow ring from guide. **IMPORTANT: LAWS AND REGULATIONS PROHIBIT THE USE OF HIGHER FLUSHING VOLUMES THAN LISTED ON FIXTURE OR FLUSHOMETER.**

If the fixture DOES NOT siphon (or a low consumption flush is required): Additional steps must be taken to increase the water pressure and/or volume at the water supply. Contact fixture manufacturer for minimum supply requirements of fixture.

5. Flushometer valve closes immediately (short flush).

- A. Worn or damaged diaphragm assembly. Replace diaphragm assembly.
- B. Handle assembly is damaged. Replace **B-73-A** handle or repair with **B-51-A** handle repair kit.
- C. Low consumption diaphragm assembly is installed on water saver/conventional fixture or urinal diaphragm assembly is installed on closet fixture. Determine the required flush volume (see label on valve or markings on fixture). Replace relief valve or diaphragm assembly for appropriate flush volume of fixture.

6. Length of flush is too long (long flush) or fails to shut off.

- A. By-pass hole (upper filter ring) of diaphragm assembly is dirty. Remove the diaphragm assembly. Disassemble the filter rings from the diaphragm, wash under running water, and reassemble. Replace as necessary.
- B. Relief valve or diaphragm assembly is damaged. Replace relief valve or diaphragm assembly.
- C. Water saver/conventional diaphragm assembly is installed on low consumption fixture or closet diaphragm assembly is installed on urinal fixture. Determine the required flush volume (see label on valve or markings on fixture). Replace diaphragm assembly or relief valve for appropriate flush volume of fixture.
- D. Inside cover is damaged. Install new **A-71** part.
- E. Line water pressure dropped and is insufficient to close valve. Close the control stop until pressure is restored.
- F. Relief valve is not seated properly. Disassemble diaphragm components (relief valve, filter rings, and diaphragm unit), wash under running water, and reassemble. Replace as necessary.

7. Chattering noise is heard during flush.

- A. Inside cover is damaged. Install new **A-71** part.
- B. Relief valve or diaphragm assembly is damaged. Replace relief valve or diaphragm assembly.

CARE AND CLEANING INSTRUCTIONS

DO NOT USE abrasive or chemical cleaners to clean flushometers that may dull the luster and attack the chrome or decorative finish. Use ONLY mild soap and water, then wipe dry with a clean towel or cloth. When cleaning the bathroom tile, protect the flushometer from any splattering of cleaner. Acids and cleaning fluids can discolor or remove chrome plating.

When assistance is required, please contact
Sloan Technical Support at: 1-888-SLOAN-14 (1-888-756-2614).

**For the Best Deals,
Purchase Your
Sloan Flush Valve
Replacement Parts
at Air Delights!**

Shop Now!