

- Recommended for very high traffic areas.
- Standard Model 2922-287300 (aluminum - white) *Bradex***
- Standard Model 2922-287400 (stainless steel-satin finish) *Bradex***



## Product Materials

**2922-2873 COVER:** die-cast aluminum finished with white epoxy paint with Steritouch®

**2922-2874 COVER:** one-piece stainless steel; satin finish

Cover fixed to the base plate with tamper proof screws.

**ADJUSTABLE MOTOR:** motor is a thermally-protected universal type operating at 23,400 RPM. Adjustable motor control switch has three settings; HI, MED and LOW.

**HEATING ELEMENT:** 400 watt heating element constructed of nichrome wire and protected by an automatic resetting thermal cutoff. Heater can be turned ON or OFF via internal switch.

**SENSOR OPERATION:** Automatic infrared sensor with a 3 second run-on time and a 30 second vandal shut-off.

**BASE PLATE:** Aluminum with four mounting holes and a .88" knockout.



## Installation

Verify all rough-in dimensions prior to installation. Hand dryers require a dedicated 15 amp circuit and must be properly grounded. GFI Circuit protection is recommended. One side of dryer should be mounted to a stud. For proper mounting heights, see installation manual.

## Operation

Place hands 3"-6" below nozzle to activate air flow. Dryer will stop after hands are removed from air flow.

## Guide Specification

Surface-mounted hand dryer shall have a white cast aluminum cover with epoxy paint (2922-2873) or stainless steel cover with satin finish (2922-2874). All internal air flow paths shall incorporate SteriTouch antimicrobial technology. Hand dryer shall include aluminum base plate, adjustable universal type motor and infrared sensor. Dryer shall operate at 73 - 85 dB while delivering 78-100 CFM air at a velocity of 250 - 265 MPH or 22,000 - 23,320 LFM. Dryer shall produce air at 110 - 140°F. Dryer shall have total power of 400 - 1200 watts with a consumption of 3.3 - 10.0 A.

**Overall dimensions: 12.5"H x 9.3"W x 7.6"D (319mm x 236mm x 192mm).**

**Weight: Aluminum - 11.6 lb (5.2 kg)  
Stainless Steel - 14.2 lb (6.4 kg)**

| Description | Part Number |
|-------------|-------------|
| Recess Kit  | P10-749     |

## Product Specifications

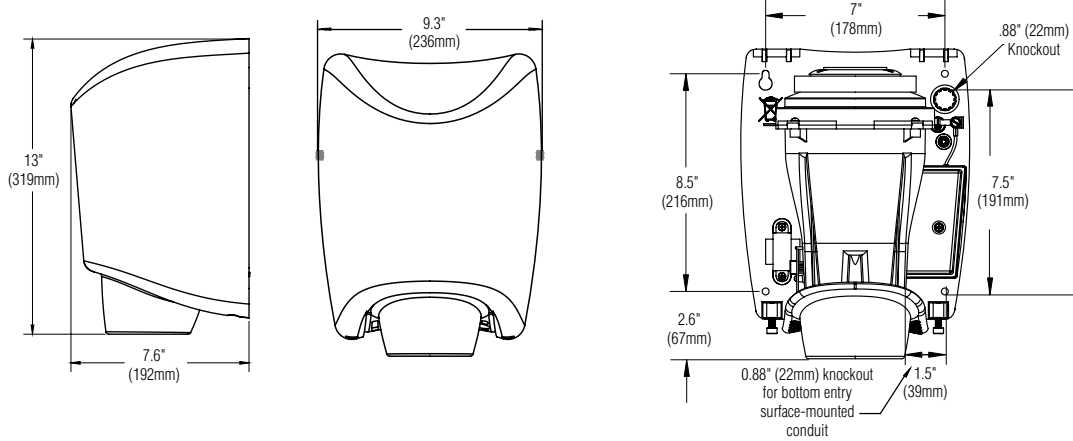
|                   |                         |                  |   |
|-------------------|-------------------------|------------------|---|
| Voltage:          | 100-120 V               | Consumption:     | 3.3-10.0 A  |
| Nominal power:    | 400-1200 W              | RPM:             | 23,400  |
| Airflow:          | 78-100 CFM              | Heating element: | 400 W   |
| Noise level:      | 73-85 dB                | Airspeed:        | 250-265 MPH   |
| Frequency:        | 60 Hz                   | Insulation:      | Grounding required  |
| Temperature:      | 110°F-140°F (43°C-60°C) | Certificates:    | UL 499 / CSA C22.2 (No. 36-08)                                |
| Drying time:      | 10-12 seconds           | Mounting:        | Surface; not ADA compliant<br>With recess kit*; ADA compliant |
| Protection level: | IP24                    |                  |   |

\*Recess kit sold separately

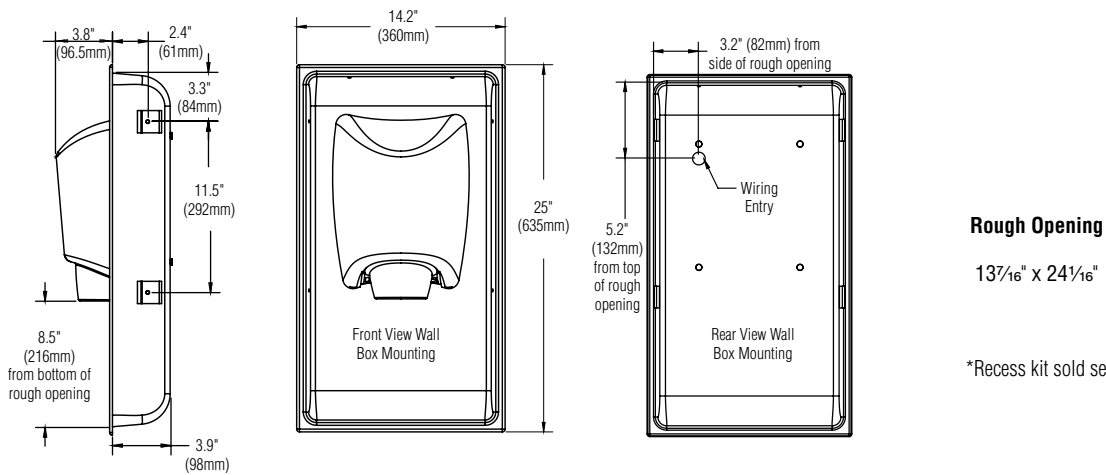
Orders composed of products indicated as **Bradex** will be available to ship in three days after receipt of order at the factory. There is no pricing penalty for this service from Bradley.

#### Dimensions

##### Surface Mounted



##### Recess Mounted\*



##### Rough Opening

13 7/16" x 24 1/16"

\*Recess kit sold separately

Orders composed of products indicated as **Bradex**® will be available to ship in three days after receipt of order at the factory. There is no pricing penalty for this service from Bradley.