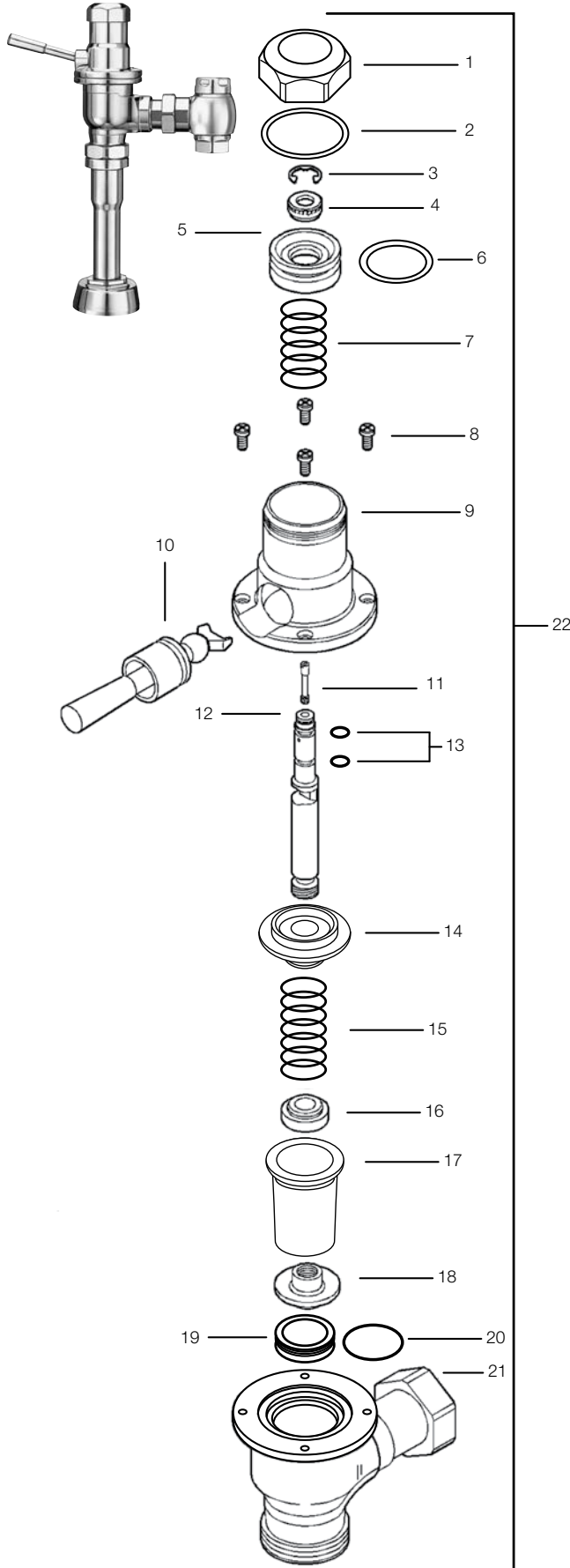


# Dolphin® Flushometer

Click Product Code No. to Purchase Part

Manual Flushometers



## PARTS LIST—DOLPHIN® FLUSHOMETER

Item No.	Code No.	Part No.	Description
1.	<a href="#">0337007</a>	DO-1	Cover Nut CP
2.	<a href="#">5337125</a>	DO-2	O-ring-Seat – 1 required – 6 per package (Cover Gasket)
3.	<a href="#">5337129</a>	DO-28	Retaining Ring – 1 required – 24 per package
4.	<a href="#">5337006</a>	DO-4	Stem Nut RB – 1 required – 6 per package
5.	<a href="#">0337004</a>	DO-5	Piston
6.	<a href="#">5337075</a>	DO-6	O-ring-Piston – 1 required – 6 per package
7.	<a href="#">5337039</a>	DO-7	Piston Spring – 1 required – 6 per package
8.	<a href="#">5337011</a>	DO-11	Cover Screw CP – 4 required – 24 per package
9.	<a href="#">0337003</a>	DO-10	Upper Body CP
10.	<a href="#">0337042</a>	DO-20	Handle and Socket Assembly CP
	<a href="#">0337012</a>	DO-26	Socket
11.	<a href="#">5337126</a>	DO-3	Regulating Screw RB – 1 required – 6 per package
12.	<a href="#">0337087</a>	DO-9	Stem RB
13.	<a href="#">0328336</a>	SH-75	O-ring-Throttle Seal (2 required)
14.	<a href="#">0337005</a>	DO-14	Bushing RB
15.	<a href="#">0337009</a>	DO-16	Compression Spring (Main Spring)
16.	<a href="#">5337034</a>	DO-17	Insert RB – 1 required – 6 per package
17.	<a href="#">0337018</a>	DO-15	"Flex-Sac"
18.	<a href="#">0337084</a>	DO-18	Seating Nut. Part of DO-32 "Flex-Sac" Assembly (See below)
19.	<a href="#">0337016</a>	DO-19	Seat Assembly w/O-ring
20.	<a href="#">0337086</a>	DO-22	O-ring
21.	<a href="#">0337031</a>	DO-13-NC	Lower Body CP-Closet
	<a href="#">0337032</a>	DO-13-NU	Lower Body CP-Urinal
22.	—	DO-90-AA	Complete Body Assembly
	—	DO-90-AAG	Complete Body Assembly
	—	DO-90-AAU	Complete Body Assembly

## REPLACEMENT AND REPAIR KITS

A.	<a href="#">0337044</a>	DO-1000-A	Piston w/ o-ring. Component parts: Items 5 and 6
B.	<a href="#">3337035</a>	DO-1001-A	Repair Kit-Dolphin Handle Component parts: Items 10, 11, 12, and 13
C.	<a href="#">0337134</a>	DO-32	Flex-Sac Assembly Component parts: Items 17 and 18
D.	<a href="#">0337136</a>	DO-32-AA	Repair Kit-"Flex-Sac" Assembly. Component parts: Items 2, 6, 13, 17, and 18
E.	<a href="#">0337137</a>	DO-32-AAN	Repair Kit-"Flex-Sac" and Stem. Component parts: Items 2, 6, 7, 13, 15, 17, 18, 19, and 20
F.	<a href="#">0337036</a>	DO-19-A	Seat Assembly w/ o-ring Component parts: Items 19 and 20
G.	<a href="#">0337030</a>	DO-12-A	Upper Body Assembly. Component parts: Items 1 through 7 and 9 through 18
H.	<a href="#">0337055</a>	DO-13-A-NC	Lower Body Assembly for Closet. Component parts: Item 21 Lower Body, Coupling (CP), and Ground Joint Tail (CP)

# Dolphin® Flushometer

## PARTS LIST—DOLPHIN® FLUSHOMETER MODELS AND VARIATIONS

Item No.	Code No.	Part No.	Description
1.	<b>0337023</b>	DO-90-AAGNC	Closet Valve Body and Handle Assembly — Dolphin Type I
	<b>0337025</b>	DO-90-AAGNU	Urinal Valve Body and Handle Assembly — Dolphin Type II
2A.	<b>0388025</b>	H-710-A	Bak-Chek® Control Stop CP with ¾" NPTF Inlet for Adjustable Tail
	<b>0388022</b>	H-710-A	Bak-Chek® Control Stop CP with 1" NPTF Inlet for Adjustable Tail
2B.	<b>0388048</b>	NH-710-AG	Bak-Chek® Control Stop w/ ¾" NPTF Inlet for Ground Joint Tail (Naval Brass; use w/ Shipboard flushometer Models Type II Class A and B; requires A-35 Reducer Bushing)
	<b>0388058</b>	NH-710-AG	Bak-Chek® Control Stop w/ 1" NPTF Inlet for Ground Joint Tail (Naval Brass)
	<b>0388044</b>	NH-710-AGS	Bak-Chek® Control Stop w/ 1" NPSM Inlet for Ground Joint Tail (Naval Brass; use w/ Shipboard flushometer Models Type I and II when Sil-Braze Adapter is used)
3.	<b>0306196</b>	F-7	1" (25 mm) Supply Flange CP (Supplied When Valve is NOT Ordered w/ Sweat Solder Kit)
	<b>0306191</b>	F-7	¾" (19 mm) Supply Flange CP (Supplied When Valve is NOT Ordered w/ Sweat Solder Kit)
4.	<b>3308782</b>	H-633-AA	1" (25 mm) Sweat Solder Kit with Cast Set Screw Flange CP ("–YBYC" Variation)
	<b>3308788</b>	H-636-AA	¾" (19 mm) Sweat Solder Kit with Cast Set Screw Flange CP ("–YBYC" Variation)
5A.	<b>0323013</b>	V-500-AA	1-½" (38 mm) x 10-½" (267 mm) Vacuum Breaker Assembly CP (Model 110/111)
	<b>0323019</b>	V-500-AA	1-½" (38 mm) x 23" (534 mm) Vacuum Breaker Assembly CP (Model 115)
5B1.	<b>0396119</b>	F-101	1-½" (38 mm) x 10-1/2" (267 mm) Outlet Tube CP Type I Class B
5B2.	<b>0306093</b>	F-2-AT	Coupling CP w/ S-30 gasket
5C1.†	<b>0314004</b>	NF-1	1-½" (38 mm) Scored Outlet CP (Shipboard Model, Type I, Class A)
5C2.‡	<b>2104180</b>	F-2-AT	Coupling CP w/ S-30 gasket
5D1.	<b>0323010</b>	V-500-A	1-½" (38 mm) Vacuum Breaker Assembly CP (Model 120 does not include F-2-A Coupling, see Item 5D2 below)
5D2.	<b>0306092</b>	F-2-A	Coupling CP w/ S-30 gasket
5E.†	<b>0306850</b>	NF-29-A	Outlet Tube Assembly ¾" (19 mm) x 6-½" (165 mm) Scored Outlet w/ ½" Offset (Shipboard Model, Type II, Class A)
5F.	<b>0306849</b>	NF-29-A	¾" (19 mm) x 6-½" (165 mm) Flush Connection with ½" Offset and ¾" x ½" Reducer for ½" Spud (Shipboard Model, Type II, Class B)
5G.†	<b>0323004</b>	V-500-AA	¾" (19 mm) x 10-½" (267 mm) Vacuum Breaker Assembly CP (Model 186)
5H.†	<b>0306780</b>	F-29-A	¾" (19 mm) x 10-½" (267 mm) Flush Connection CP (Model 186–XYW)
6.†	<b>0396302</b>	F-109	1-½" (38 mm) Flush Connection CP
7.	<b>SEE SLIP JOINT GASKETS AND RINGS TABLE ON BOTTOM, PAGE 30</b>		
7A.	<b>0306146</b>	F-5-AT	1-½" (38 mm) Spud Coupling Assembly (Models 110/111, 115, 120)
7B.	<b>0306125</b>	F-5-AW	¾" (19 mm) Spud Coupling Assembly (Model 186)
8.	<b>0306982</b>	F-40	½" (13 mm) Sil-Braze Adapter

‡ Cut to proper length at installation. Allow a minimum of 5" (127 mm) between tube ends when using rubber hose for shock mounted equipment.

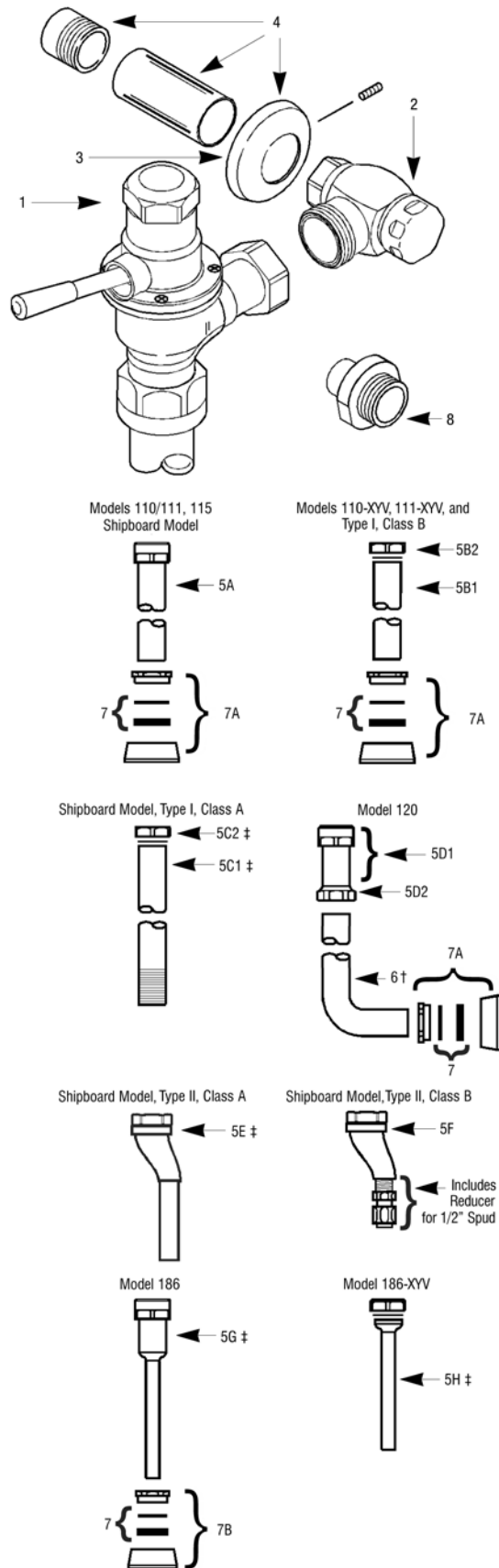
† This Outlet Tube is available in various lengths. Consult factory for assistance.

### IMPORTANT NOTES

With the exception of the control stop inlet, DO NOT USE pipe sealant or plumbing grease on any valve component or coupling!

Protect the chrome or special finish of Sloan flushometers — DO NOT USE toothed tools to install or service these valves.

Use a A-50 Super-Wrench™ or smooth jawed spud wrench to secure all couplings.



**Dolphin® Flushometer****PARTS LIST—DOLPHIN FLUSHOMETER MODELS AND VARIATIONS**

Size	Code No.	Part No.	Description
<b>ITEM 7. Slip Joint Gaskets and Rings</b>			
1-1/2"	5306058	F-3	Red Friction Ring
	5322001	VBF-5	Black Slip Joint Gasket
	0319086/5319086	S-30	Flexible Seat
1-1/2" x 1-1/4"	0319079	S-21	Rigid Seat (rubber over brass)
	0396062	F-105	Slip Joint Gasket – Rigid
1-1/4"	5306057	F-3	Red Friction Ring
	5322176	VBF-5	Black Slip Joint Gasket
	0307052/5307052	G-21	Rigid Seat (rubber over brass)
1"	5306056	F-3	Red Friction Ring
	5306115	F-5	Black Slip Joint Gasket
3/4"	5306055	F-3	Red Friction Ring
	5306113	F-5	Black Slip Joint Gasket

**For the Best Deals,  
Purchase Your  
Sloan Flush Valve  
Replacement Parts  
at Air Delights!**

**Shop Now!**

**TROUBLESHOOTING GUIDE****1. Flushometer DOES NOT function.**

- Control stop or main valve is closed. Open control stop or main valve.
- Handle socket assembly is damaged. Replace DO-20 handle socket assembly.

**2. Volume of water is inadequate to siphon fixture.**

- Control stop is not open enough. Adjust control stop for desired delivery of water volume.
- Timing of flushometer closure is set too fast. Remove DO-1 cover nut. Use a small blade screwdriver to turn DO-3 regulating screw clockwise.
- Water supply volume or pressure is inadequate. If no gauges are available to properly measure supply pressure or volume, completely open control stop and hold down flushometer handle without allowing it to close. If fixture siphons, increase timing of closure (see previous solution). If fixture does not siphon, steps must be taken to increase the supply pressure and/or volume. Contact fixture manufacturer for minimum water supply requirements of fixture.

**3. Flushometer closes immediately.**

- Oil chamber of upper body is empty. Remove DO-1 cover nut. Fill oil chamber with SAE 10 Oil.
- Piston seal is worn or damaged. Replace DO-6 piston O-ring seal.

**4. Length of flush is too short (short flushing).**

- Volume of oil in oil chamber of upper body is low. Remove DO-1 cover nut. Fill oil chamber with SAE 10 oil.
- Timing of flushometer closure is not adequately adjusted. Remove DO-1 cover nut. Using small blade screwdriver, turn DO-3 regulating screw clockwise until a satisfactory flush is achieved.

**5. Length of flush is too long (long flushing).**

- Timing of flushometer closure not adequately adjusted. Remove DO-1 cover nut. Using small blade screwdriver, turn DO-3 regulating screw counterclockwise until a satisfactory flush is achieved.

**6. Oil is leaking from handle.**

- Stem seals are worn or damaged. Replace two (2) SH-75 throttle seal O-rings.

**7. Valve DOES NOT close completely (water trickle).**

- Compression spring is worn or damaged. Replace DO-16 compression spring.
- Flex-sac assembly is worn. Replace DO-15 flex-sac.

**CARE AND CLEANING INSTRUCTIONS**

**DO NOT USE** abrasive or chemical cleaners to clean flushometers, they may dull the luster and attack the chrome finish. Use **ONLY** mild soap and water, and then wipe dry with a clean towel or cloth.

When cleaning, protect the exposed flushometer from any splattering of cleaner. Acids and cleaning fluids can discolor or remove chrome plating.

**When assistance is required, please contact  
Sloan Technical Support at: 1-888-SLOAN-14 (1-888-756-2614).**

**SLOAN**

10500 SEYMOUR AVE. - FRANKLIN PARK, IL 60131  
PHONE: 1-800-9-VALVE-9 - FAX: 1-800-447-8329  
<http://www.sloanvalve.com>

**Air Delights**

11170 SW 5TH STREET, SUITE 100 - BEAVERTON, OR 97005  
PHONE: 1-800-440-5556 - FAX: 1-503-643-8224  
<http://www.airdelights.com> - [Customer\\_Service@AirDelights.com](mailto:Customer_Service@AirDelights.com)